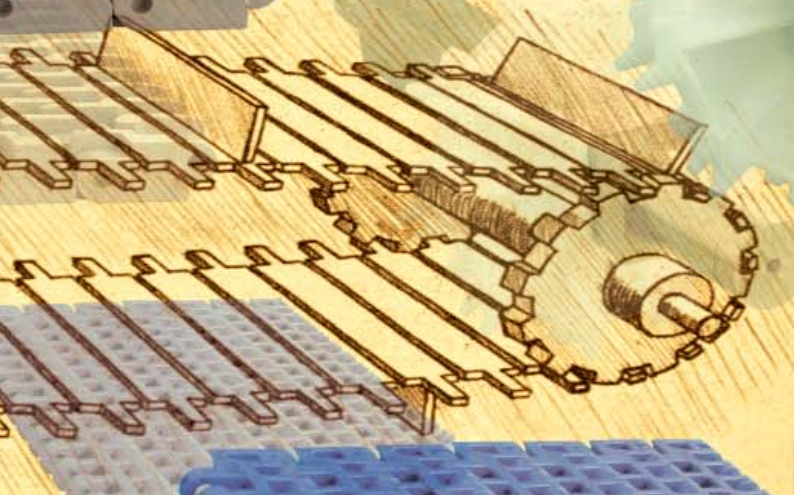


Handwritten text on a parchment-like background, partially obscured by gears.



Handwritten text on a parchment-like background, partially obscured by conveyor belts.

★ EUROBELT ★

CONVEYOR BELTS



COMPANY	3-4	CONSTRUCTION DATA	99
PRODUCT RANGE	5-18	TABLE OF SPROCKETS AND WEARSTRIPS	100
MODULAR SYSTEM CHARACTERISTICS	5	SERIES E41	103-110
SERIES	7	RAISED RIB	103
SURFACE	11	FINGER PLATES	104
ACCESORIES	15	SPROCKETS	105
SPROCKETS	17	HOLD-DOWN ROLLERS	107
FLIGHTS AND SIDE GUARDS	18	CONSTRUCTION DATA	108
SERIES C12	21-28	TABLE OF SPROCKETS AND WEARSTRIPS	109
FLAT TOP	21	APPLICATIONS	110
FLUSH GRID	22	SERIES E50	113-132
SPROCKETS	23	FLAT TOP	113
CONSTRUCTION DATA	25	PERFORATED FLAT TOP	114
TABLE OF SPROCKETS AND WEARSTRIPS	27	FLUSH GRID	115
APPLICATIONS	28	OPEN GRID	116
SERIES E20	31-44	KNURLED	117
FLAT TOP	31	CONIC	118
FLUSH GRID	32	TRIAN FRICTION	119
RAISED RIB	33	CONIC FRICTION	120
TRIAN FRICTION	34	SLIDING ROLLERS	121
TRIAN	35	SPROCKETS	122
SLIDING ROLLERS	36	FLIGHTS AND SIDE GUARDS	124
SPROCKETS	37	HOLD-DOWN ROLLERS	129
FLIGHTS AND SIDE GUARDS	39	CONSTRUCTION DATA	130
FINGER PLATES	41	TABLE OF SPROCKETS AND WEARSTRIPS	131
CONSTRUCTION DATA	42	APPLICATIONS	132
TABLE OF SPROCKETS AND WEARSTRIPS	43	SERIES B50	135-144
APPLICATIONS	44	FLAT TOP	135
SERIES A24	47-56	PERFORATED FLAT TOP	136
FLAT TOP	47	SPROCKETS	137
FLUSH GRID	48	FLIGHTS AND SIDE GUARDS	139
RAISED RIB	49	CONSTRUCTION DATA	143
SPROCKETS	50	TABLE OF SPROCKETS AND WEARSTRIPS	144
FLIGHTS AND SIDE GUARDS	52	SERIES E80	147-156
FINGER PLATES	54	FLAT TOP	147
CONSTRUCTION DATA	55	PERFORATED FLAT TOP	148
TABLE OF SPROCKETS AND WEARSTRIPS	56	SPROCKETS	149
SERIES E30	59-74	FLIGHTS AND SIDE GUARDS	151
FLAT TOP	59	HOLD-DOWN ROLLERS	154
PERFORATED FLAT TOP	60	CONSTRUCTION DATA	155
FLUSH GRID	61	TABLE OF SPROCKETS AND WEARSTRIPS	156
OPEN GRID	62	SERIES E93 Curves	159-172
RAISED RIB	63	FLUSH GRID without edge tab	159
TRIAN FRICTION	64	FLUSH GRID with edge tab	160
FLAT FRICTION	65	CONIC	161
SLIDING ROLLERS	66	CONIC FRICTION	162
SPROCKETS	67	SLIDING ROLLERS	163
FLIGHTS AND SIDE GUARDS	69	SPROCKETS	164
FINGER PLATES	72	FLIGHTS	166
CONSTRUCTION DATA	73	HOLD-DOWN PROFILES	167
TABLE OF SPROCKETS AND WEARSTRIPS	74	CONSTRUCTION DATA	169
SERIES E31	77-80	TABLE OF SPROCKETS AND WEARSTRIPS	172
LATERAL TRANSFER	77	COMMON ACCESSORIES	175-176
TRANSFERENCES WITH BELT	78	HOLD-DOWN PROFILES	175
SPROCKETS	79	WEARSTRIPS	176
SERIES E32	83-86	MATERIALS	177-184
FLAT TOP	83	TECHNICAL DATA	185-196
SPROCKETS	85	MAINTENANCE	197-198
SERIES E40	89-100	CHEMICAL RESISTANCE	199-204
FLAT TOP	89	INDUSTRY	207-220
FLUSH GRID	90	CUSTOMER SERVICE	221
NON SLIP	91		
SLIDING ROLLERS	92		
SPROCKETS	93		
FLIGHTS AND SIDE GUARDS	95		
HOLD-DOWN ROLLERS	98		

EUROBELT



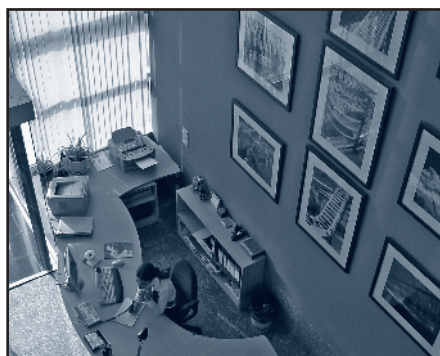
AFHER EUROBELT S.A.
Topacio, 41
47012 Valladolid
(Spain)
Tel.: +34 983 217 480
Fax: +34 983 217 481
after@eurobelt.com
www.eurobelt.com

AFHER EUROBELT S.A. is a leading company in the manufacturing of plastic modular belts to transport food and industrial product.

Eurobelt offers a wide range of products that responds to most of the internal transport needs.

To carry out its activity, AFHER EUROBELT S.A. has a staff in continuous training, which is implicated from the first offer to the manufacturing and finally the after-sales service.

The EUROBELT conveyor belts help to improve the applications in a great number of industries: Car, Beverage, Meat, Preserved Fish and Vegetables, Dairy Produce, Fruit and Vegetables, Industrial Pastry, Fish, Wine ...



“EUROPEAN MANUFACTURER, PIONEER IN CONVEYOR BELTS”

“30 YEARS SOLVING PROBLEMS”

Our position of leader in the conveyor-belts market engages us to a continue innovation of our products, so that Eurobelt has modern installations in order to give the best service to our customers.

SALES DEPARTMENT

We know your industry, your applications, and your needs. So our sales department will provide you all the technical advice your company may need from the beginning.

TECHNICAL DEPARTMENT

A team of engineers, devoted exclusively to the development of new products, assures our commitment to supply the best solutions to all your requirements.

MANUFACTURING

The Eurobelt conveyor belts are moulded with technical plastics forming a structure of injection pieces which constitutes the suitable support for transporting food and industrial products.

The quality of our products is due to the use of state-of-the-art equipments and plastic materials in the whole manufacturing process.

In order to be able to provide the best delivery time in the market, Eurobelt has a surface of 4.000 m² in its premises to stock all the pieces that will form your conveyor belt.

ASSEMBLY

The injection pieces are interlaced forming rows which, joined by means of connecting rods, which are retained at every side by removable caps, constitute your conveyor belt.

This modular configuration enables to customize you belt according to your application needs.

QUALITY

The quality of our products is obtained by using upto-date equipments and plastic materials in all the manufacture process.

Eurobelt accomplishes quality controls and tests in all their production processes in order to offer the best product of the market.

DISPATCH

Once the manufacturing of your belt is finished, our dispatch department makes a final inspection before packing it.

Eurobelt uses the most modern packing methods to avoid any damage of your product during the transport.



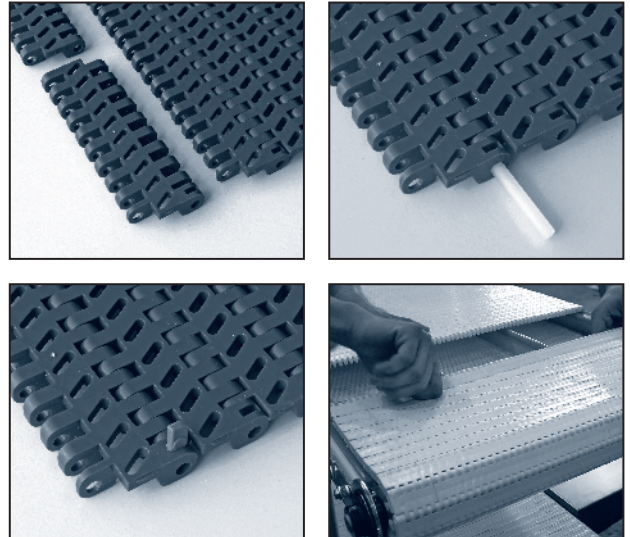
MODULAR SYSTEM CHARACTERISTICS

The EUROBELT conveyor belts are moulded with technical plastics forming a structure of injected pieces interlaced in an advanced design, whose configuration makes them be the suitable support for conveying food and industrial products.

Their modular configuration allows us to manufacture a made-to-measure belt for you.

We will introduce the rod in the hole existing across every module to join the different lines of modules that make up the belt.

The fastening of the rods is carried out by means of extractable caps. These caps will be inserted into the lodgings existing for that purpose in the end modules.



NOISELESS AND LIGHT

Due to their low weight, the support structures are light and easy to handle, needing motors of lesser power, which implies an energy saving.

NO NEED TO APPLY ANY LUBRICANT

Mínimo coeficiente de fricción que evita los rociados de lubricación tradicionales, mejorando las condiciones de trabajo, reduciendo el mantenimiento y eliminando el problema de productos mojados.

MINIMUM MAINTENANCE

One of the most important characteristics of the plastic modular belt is the low maintenance cost. With a minimal expenditure in preventive maintenance, the belt can work uninterruptedly until the wear of the material itself, due to the friction with the fixed portions of the conveyor, advises its replacement in order to avoid unexpected stops.

In case of accident (tear or breakage) the repair will just take some minutes, the necessary time for replacing the damaged modules with no need of any specific tool.



POSITIVE TRACTION, AVOIDING POSSIBLE SLIPS

The direct traction is carried out by means of sprockets that eliminate slips in the drums, lateral displacements, and other problems of conventional systems. Furthermore, the use of square shafts avoids the need of keyways, strengthens the traction, and absorbs the expansions between the plastic sprocket and the metallic shaft.

TOTAL SAFETY IN MANIPULATION

Total safety for workers when manipulating the product directly on the belt, avoiding the risk of accidents and improving therefore the working conditions..

EASY CLEANING

The EUROBELT plastic modular belts can be moved, taken off, lifted, even easily dismantled, in order to allow the access to the most difficult areas to clean. Water fan nozzles can be installed inside and outside the rotations of the belt to carry out a continuous cleaning.

It is important to carry out a constant maintenance and/or cleaning of the machine, particularly in those areas in direct contact with the product.

For cleaning our plastic modular belts, use water and gel, and rinse with water and disinfectant.

ACCESORIES

EUROBELT has a wide range of accessories for the conveyor belts to give solution to the requirements and difficulties arising sometimes in the transport systems of packed and in-bulk products.

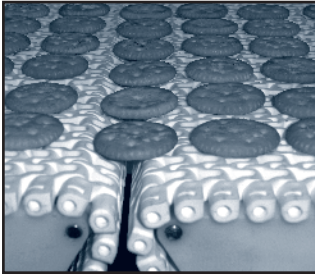
The modular configuration of the belt enables to replace just the damaged accessory in a very short time, which implies a cost saving with regard to stops in production lines.

The materials employed in the production of the accessories have suitable characteristics depending on the work conditions: impact and wear resistance, chemical resistance, direct contact with food ...

All the accessories are in stock and their delivery time is immediate.



PRODUCT RANGE [SERIES]



Pitch 12 mm
[page 21]

SERIES C12

With a 12 mm pitch, it enables to carry out transfers of small product at high speed with minimum turn diameters. On the other hand, when combined with a big-diameter sprocket, the turn diameter is close to an almost perfect circumference.

Its open-link structure, with reinforcements shaping a kind of fork, provides a great load capacity. Rods in view together with an extraordinary open surface supply a great easiness for cleaning.

Surfaces and abbreviations:

Flat Top [FT]	Flush Grid [FG]
---------------	-----------------



Pitch 20 mm
[page 31]

SERIES E20

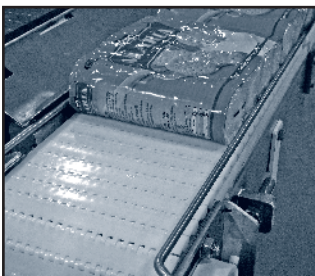
EUROBELT SERIES E20 with a pitch of 20 mm and widths in increments of 8 mm can adapt to almost every dimension. It is ideal for replacements which are complicated or having non-metric dimensions.

The traction is carried out in the central part of the modules; that is why it can be used as a bidirectional belt.

It enables transferences with a turn diameter of about 30 mm.

Surfaces and abbreviations:

Flat Top [FT]	Flush Grid [FG]	Raised Rib [RR]	Trian Friction [TF]
Trian [TR]	Sliding Rollers [SR]		



Pitch 24 mm
[page 47]

SERIES A24

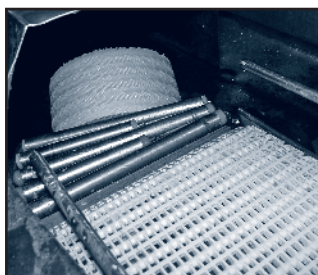
Two of the most important concerns in the conveyor-belt market are getting a secure traction as well as an easy cleaning. At EUROBELT we have developed SERIES A24 thinking of complying rigorously these two technologic challenges.

The Series A24, both with a direct traction on two inclined faces and a big contact surface with the sprocket, provides optimal pushing conditions. This make it be one of the belts with the most reliable traction of the market.

The special design of this series makes easier the access to the most difficult areas for cleaning. That is why it has been conceived with open endings, working and return-way surfaces completely smooth, openings in the joint areas, and sprockets with big rounded holes, for making easy the most demanding cleaning.

Surfaces and abbreviations:

Flat Top [FT]	Flush Grid [FG]	Raised Rib [RR]
---------------	-----------------	-----------------



Pitch 30 mm
[page 59]

SERIES E30

EUROBELT SERIES E30, with a 30 mm pitch, is specially indicated for conveying and elevating small product at high speed.

The traction is made in the central part of the modules, so that it can be used as a bi-directional belt.

Its extraordinary adaptability, combined with its great resistance, allows reaching important conveyor lengths.

Surfaces and abbreviations:

Flat Top [FT]	Perforated [PF]	Flush Grid [FG]	Open Grid [OG]
Raised Rib [RR]	Trian Friction [TF]	Flat Friction [FF]	Sliding Rollers [SR]



Pitch 30 mm
[page 77]

SERIES E31

EUROBELT SERIES E31 has a 30 mm pitch and a mould-to-width configuration of 152.40 mm wide. For applications in which a different width is required, please ask EUROBELT directly.

It has been designed for carrying out dynamic lateral transfers of containers in perpendicular intersections of lines.

Surfaces and abbreviations:

Lateral Transfer [LT]



Pitch 30 mm
[page 83]

SERIES E32

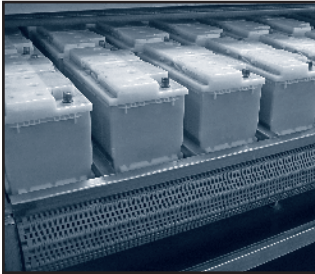
EUROBELT SERIES E32 has a 30 mm pitch and a mould-to-width geometry whose widths are 82.50, 114.30, 152.40, and 190.50 mm.

The EUROBELT E32 mould-to-width belts are much more noiseless and require smaller maintenance costs than the table-top belt lines. Moreover, not needing any type of lubricant for their normal working, their profitability is assured.

Surfaces and abbreviations:

Flat Top [FT]

PRODUCT RANGE [SERIES]



Pitch 40 mm
[page 89]

SERIES E40

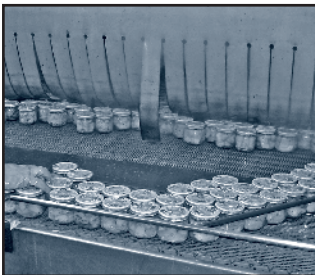
EUROBELT SERIES E40 is the most resistant of all our belts, thanks to its specific design and high strength.

Its 40 mm pitch minimizes the polyhedron effect typical of big-pitch belts and makes easier the transference of product.

Its strong structure, together with the central traction system, enables working with very heavy loads in very extreme conditions.

Surfaces and abbreviations:

Flat Top [FT]	Flush Grid [FG]	Non Slip [NS]	Sliding Rollers [SR]
---------------	-----------------	---------------	----------------------



Pitch 40 mm
[page 103]

SERIES E41

EUROBELT SERIES E41 has the same basis structure than SERIES E40, but some projecting ribs have been added on its whole surface in which the finger-plates teeth get linked at the infeed and the outfeed of the conveyor.

This conveyor belt, combined with the finger plates, provides a transfer system that avoids the overturning of the recipients.

Surfaces and abbreviations:

Raised Rib [RR]



Pitch 50 mm
[page 113]

SERIES E50

EUROBELT SERIES E50 with a 50 mm pitch is the most versatile of all our series due to its wide range of models and accessories.

It can be used in many applications: elevating and descending conveyors, press machines, palletizers and depalletizers, boiling, glazing, freezing, etc.

It is the most practical solution for most of the conveying applications which do not need very specific requirements. The industries requiring more this series are those of fish, preserved food, and fruits and vegetables, among others.

Surfaces and abbreviations:

Flat Top [FT]	Perforated [PF]	Flush Grid [FG]	Open Grid [OG]
Knurled [KN]	Conic [CO]	Trian Friction [TF]	Conic Friction [CF]
Sliding Rollers [SR]			



Pitch 50 mm
[page 135]

SERIES B50

EUROBELT SERIES B50 FLAT TOP is the most hygienic and resistant modular belt for food industry. Designed with completely rounded corners, open edges, and bigger openings in the hinge area, it is very easy to clean, even when it is working. Its underside transversal drive bar and the compact design of the sprockets make this belt the best alternative for big conveyors with heavy loads.

Manufactured with materials very resistant to scratches and penetration, it provides a high reliability in processes with cutting tools or in cases of important impacts. It is specially advised for the meat industry or for processes in which the cleanliness is essential.

Surfaces and abbreviations:

Flat Top [FT]	Perforated [PF]
---------------	-----------------



Pitch 50 mm
[page 147]

SERIES E80

EUROBELT SERIES E80 has a 50 mm pitch. Designing both sides of the belt by means of flat surfaces, we avoid the adherence and the retention of the product when it is manipulated. Its open-hinge structure that gets open as the belt rotates contributes to a better cleaning.

This belt has been designed for guarantying an easy cleaning in applications with products which are liable to release particles or liquid debris, in order to avoid later contaminations.

Surfaces and abbreviations:

Flat Top [FT]	Perforated [PF]
---------------	-----------------



Pitch 30 mm
[page 159]

SERIES E93 CURVES

EUROBELT SERIES E93 is designed for working simultaneously in straight and curve sections, carrying out all type of turns. Its FLUSH GRID geometry with smooth and rounded edges provides an excellent drainage (having a 47% open area). which makes it suitable for cooling or freezing processes.

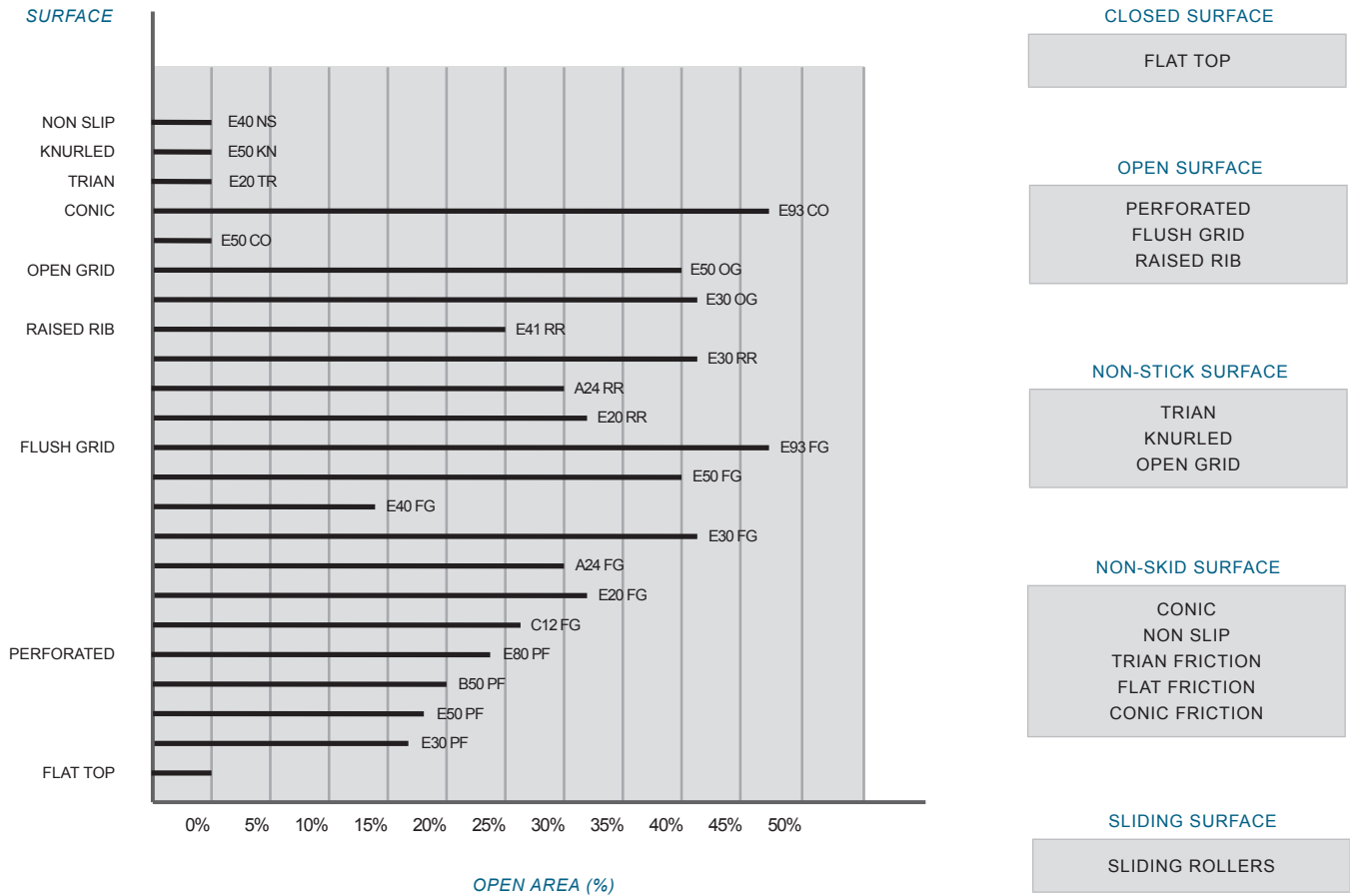
A special fastening system for the joining rods prevents them from sliding in the outside radius, providing the system with a greater effectiveness.

The fastening side tab is located in the lower lateral part of the belt, enabling the transport of products exceeding the belt width. It can be cleaned easily due to its highly permeable structure.

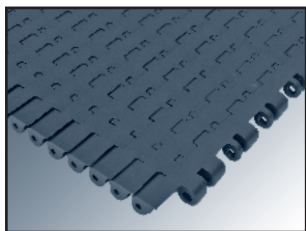
Surfaces and abbreviations:

Flush Grid without edge tab [FG]	Flush Grid with edge tab [FG]	Sliding Rollers [SR]
Conic [CO]	Conic Friction [CF]	

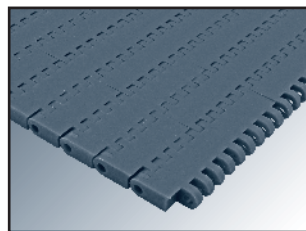
PRODUCT RANGE [SURFACE]



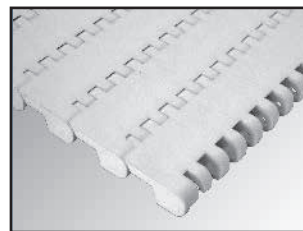
FLAT TOP



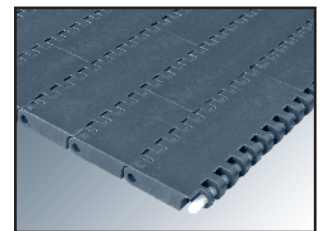
SERIES C12
Pitch 12 mm
Open area 0%
[\[page 21\]](#)



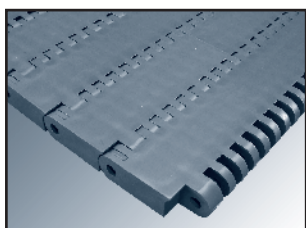
SERIES E20
Pitch 20 mm
Open area 0%
[\[page 31\]](#)



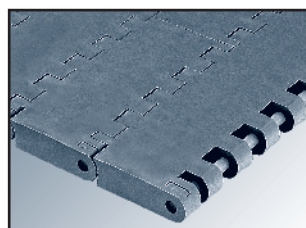
SERIES A24
Pitch 24 mm
Open area 0%
[\[page 47\]](#)



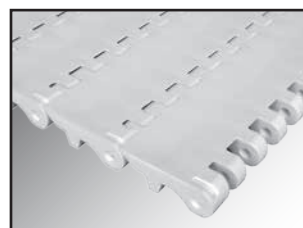
SERIES E30
Pitch 30 mm
Open area 0%
[\[page 59\]](#)



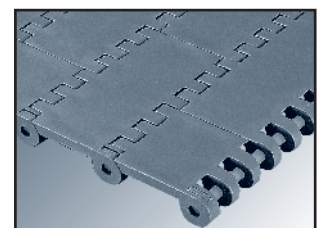
SERIES E40
Pitch 40 mm
Open area 0%
[\[page 89\]](#)



SERIES E50
Pitch 50 mm
Open area 0%
[\[page 113\]](#)

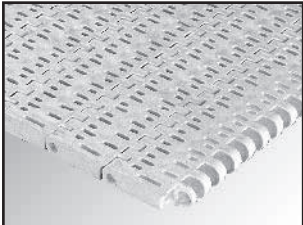


SERIES B50
Pitch 50 mm
Open area 0%
[\[page 135\]](#)

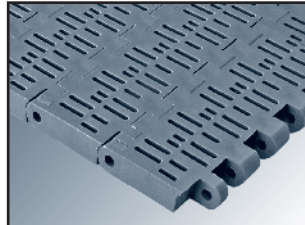


SERIES E80
Pitch 50 mm
Open area 0%
[\[page 147\]](#)

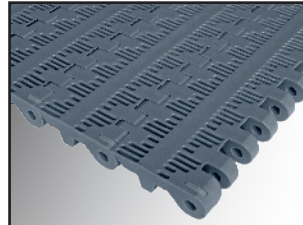
PERFORATED



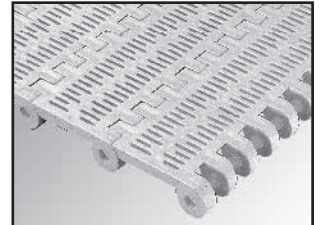
SERIES E30
Pitch 30 mm
Open area 17%
[\[page 60\]](#)



SERIES E50
Pitch 50 mm
Open area 18%
[\[page 114\]](#)



SERIES B50
Pitch 50 mm
Open area 20%
[\[page 136\]](#)

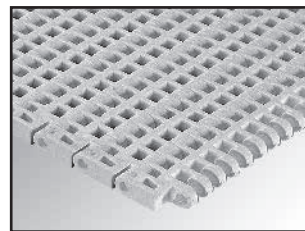


SERIES E80
Pitch 50 mm
Open area 24%
[\[page 148\]](#)

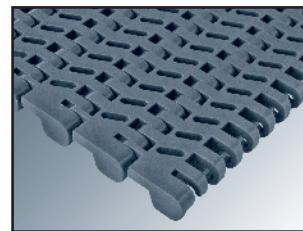
FLUSH GRID



SERIES C12
Pitch 12 mm
Open area 26%
[\[page 22\]](#)



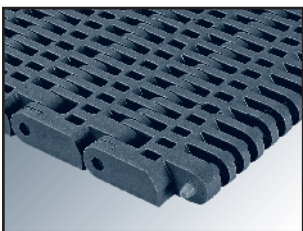
SERIES E20
Pitch 20 mm
Open area 32%
[\[page 32\]](#)



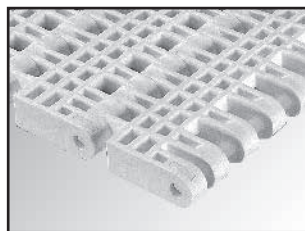
SERIES A24
Pitch 24 mm
Open area 30%
[\[page 48\]](#)



SERIES E30
Pitch 30 mm
Open area 41%
[\[page 61\]](#)



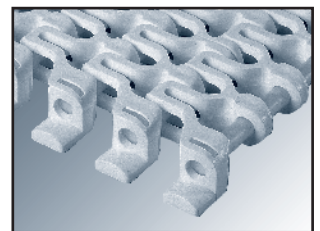
SERIES E40
Pitch 40 mm
Open area 14%
[\[page 90\]](#)



SERIES E50
Pitch 50 mm
Open area 40%
[\[page 115\]](#)

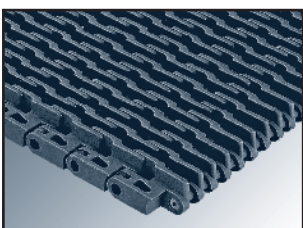


SERIES E93 without edge tab
Pitch 30 mm - Curves
Open area 47%
[\[page 159\]](#)

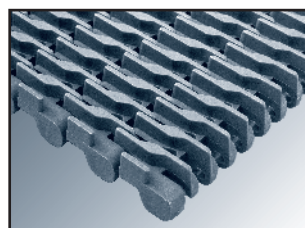


SERIES E93 with edge tab
Pitch 30 mm - Curves
Open area 47%
[\[page 160\]](#)

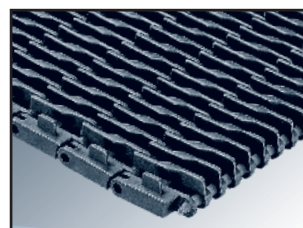
RAISED RIB



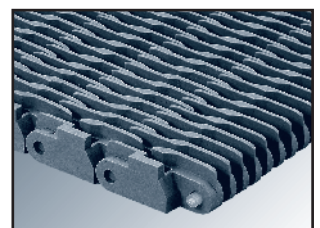
SERIES E20
Pitch 20 mm
Open area 32%
[\[page 33\]](#)



SERIES A24
Pitch 24 mm
Open area 30%
[\[page 49\]](#)



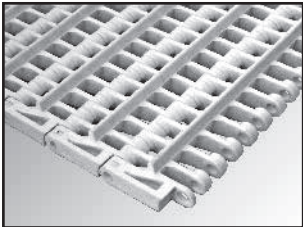
SERIES E30
Pitch 30 mm
Open area 41%
[\[page 63\]](#)



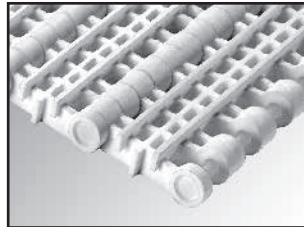
SERIES E41
Pitch 40 mm
Open area 25%
[\[page 103\]](#)

PRODUCT RANGE [SURFACE]

OPEN GRID

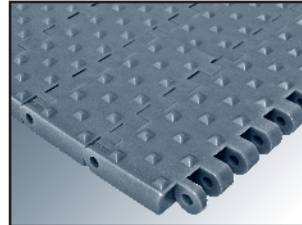


SERIES E30
Pitch 30 mm
Open area 41%
[page 62]

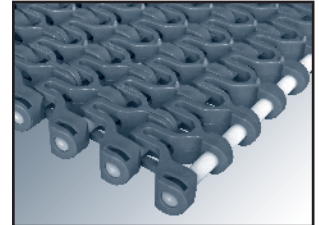


SERIES E50
Pitch 50 mm
Open area 40%
[page 116]

CONIC

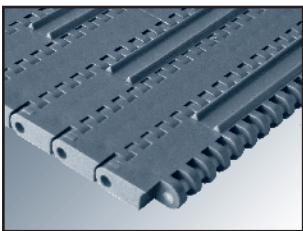


SERIES E50
Pitch 50 mm
Non-skid Surface
[page 118]



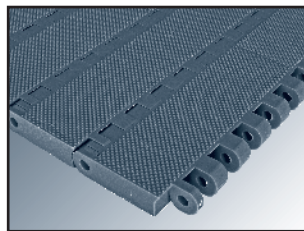
SERIES E93
Pitch 30 mm - Curves
Non-skid Surface
[page 161]

TRIAN



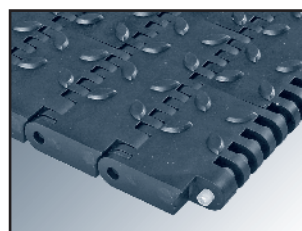
SERIES E20
Pitch 20 mm
Non-stick Surface
[page 35]

KNURLED



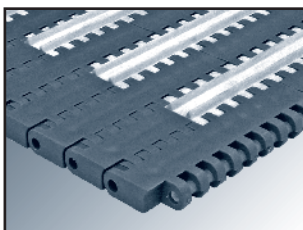
SERIES E50
Pitch 50 mm
Non-stick Surface
[page 117]

NON SLIP

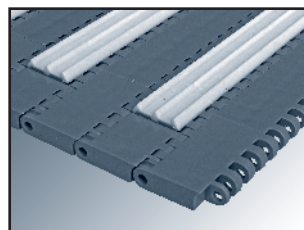


SERIES E40
Pitch 40 mm
Non-skid Surface
[page 91]

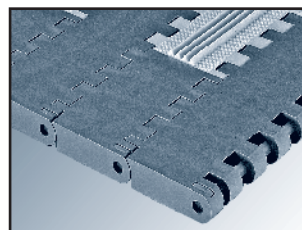
TRIAN FRICTION



SERIES E20
Pitch 20 mm
Non-skid Surface
[page 34]

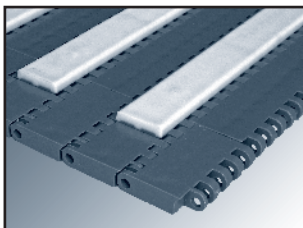


SERIES E30
Pitch 30 mm
Non-skid Surface
[page 64]



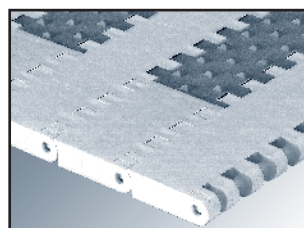
SERIES E50
Pitch 50 mm
Non-skid Surface
[page 119]

FLAT FRICTION

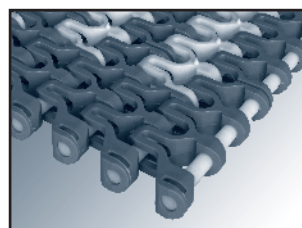


SERIES E30
Pitch 30 mm
Non-skid Surface
[page 65]

CONIC FRICTION

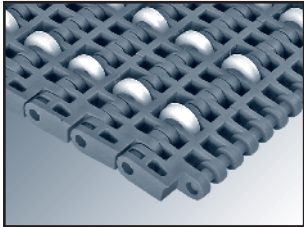


SERIES E50
Pitch 50 mm
Non-skid Surface
[page 120]

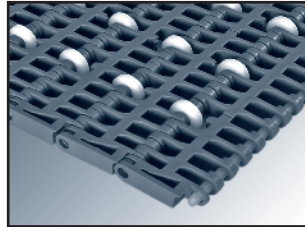


SERIES E93
Pitch 30 mm - Curves
Non-skid Surface
[page 162]

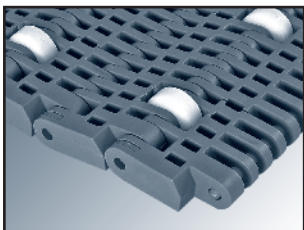
SLIDING ROLLERS



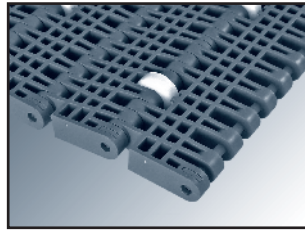
SERIES E20
Pitch 20 mm
Sliding rollers Surface
[page 36]



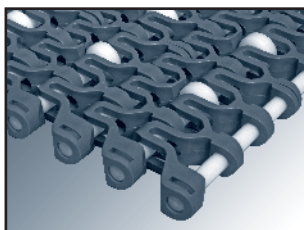
SERIES E30
Pitch 30 mm
Sliding rollers Surface
[page 66]



SERIES E40
Pitch 40 mm
Sliding rollers Surface
[page 92]

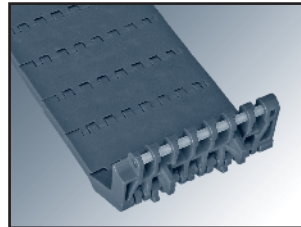


SERIES E50
Pitch 50 mm
Sliding rollers Surface
[page 121]

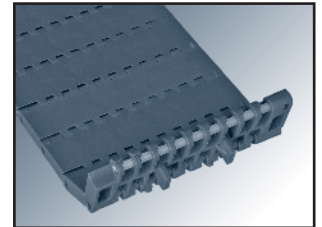


SERIES E93
Pitch 30 mm - Curves
Sliding rollers Surface
[page 163]

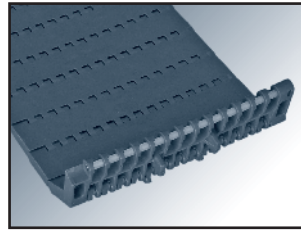
FLAT TOP (SINGLE WIDTH / DOWN-TRACKING TABS)



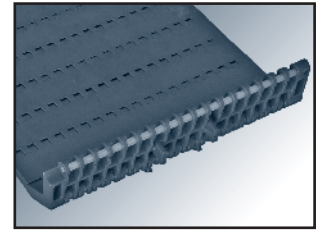
SERIES E32
Pitch 30 mm - Belt width: 82.5 mm
Down-tracking tabs
[page 83]



SERIES E32
Pitch 30 mm - Belt width: 114.3 mm
Down-tracking tabs
[page 83]

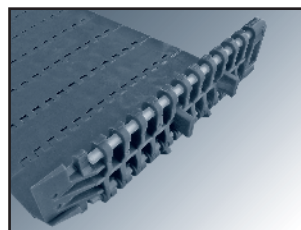


SERIES E32
Pitch 30 mm - Belt width: 152.4 mm
Down-tracking tabs
[page 83]



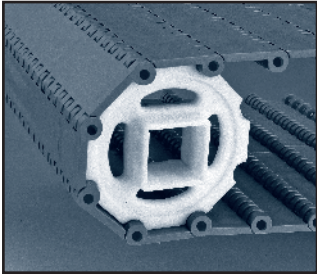
SERIES E32
Pitch 30 mm - Belt width: 190.5 mm
Down-tracking tabs
[page 83]

LATERAL TRANSFER (SINGLE WIDTH / DOWN-TRACKING TABS)



SERIES E31
Pitch 30 mm - Ancho 152.4 mm
Down-tracking tabs
[page 77]

PRODUCT RANGE [ACCESORIES]

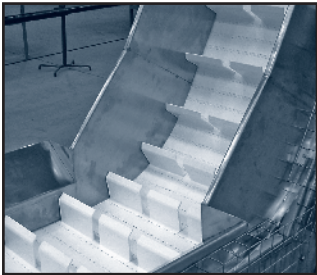


SPROCKETS

Both the shape of the modules and that of the sprockets are very important in the design of the different series.

The perfect coupling of the modules to the sprockets assures a direct drive free of slips and lateral displacements, typical of the conventional traction systems.

EUROBELT offers all sprockets in polypropylene, polyacetal and in stainless steel for those applications in which it is required.



FLIGHTS

The flights are plastic accessories to be placed in the belt transversely. They are useful to push the product in elevating, descending or accompaniment applications in order to avoid that it slips along the belt.

They are fastened by means of the same connecting rods of the belt.

The easy assembly and dismantling of these accessories permits to solve any problem "in situ". replacing just the damaged flight in a very short time.

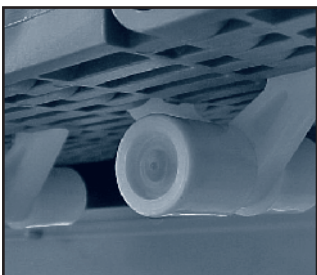


SIDE GUARDS

The side guards are plastic accessories to be inserted into the belt structure in order to contain the product, for avoiding lateral falls as well as frictions with the conveyor structure.

They are fastened by means of the connecting rods of the belt, therefore the assembly and dismantling of these accessories is easy and quick.

It permits to solve any problem "in situ". replacing just the damaged side guard in a very short time.

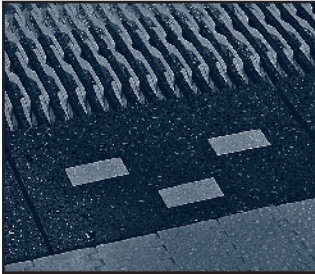


HOLD-DOWN ROLLERS

They are used to fasten the belt vertically to the conveyor in all the inflexions.

Placed in the middle of the belt, in applications in which the belt must be submerged, they avoid it gets bent due to the flotation.

They will roll along rails fastened to the conveyor structure, and it is recommended to place wearstrips to avoid the wear by rolling as far as possible.



FINGER PLATES

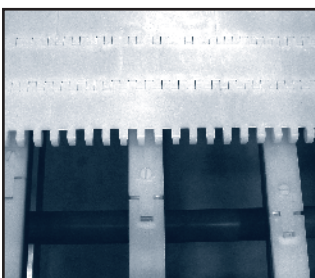
The finger plates have been designed to be used with the Raised Rib surface in applications of intersection of lines in which it is necessary to make the transfer of the product through the finger plates system.



HOLD-DOWN PROFILES

To make the fastening and the support of the belt, Eurobelt has designed two types of hold-down profiles, with different geometries, but with the same uses and services.

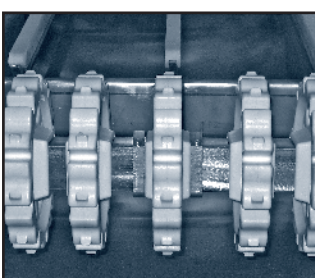
These profiles, with a low coefficient of friction, are placed between the belt and the structure of the conveyor, so the wear of the surfaces in contact is reduced, which contributes to prolong the life of the belt.



WEARSTRIPS

The flat wearstrips have a fastening system by means of flat-head plastic screws, having as a result a smooth surface that prevents any hooking.

Due to their dovetail design, they can counteract the possible longitudinal contractions or expansions that can take place.



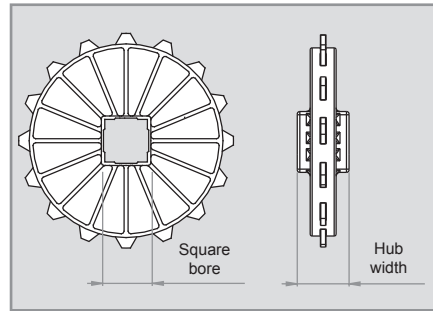
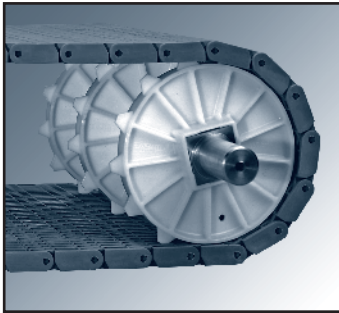
RETAINING RINGS

The fastening of the central sprocket is made by retaining rings manufactured in AISI-316 stainless steel.

Their design allows an easy installation without dismatling or grooving the shaf.

They are fastened through a screw that remains perfectly fixed in the ring.

PRODUCT RANGE [SPROCKETS FOR SQUARE SHAFT]



We have plastic sprockets for round shaft with and without keyway.

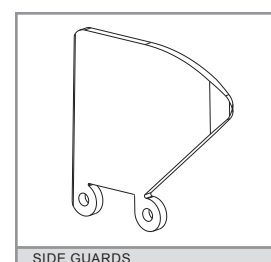
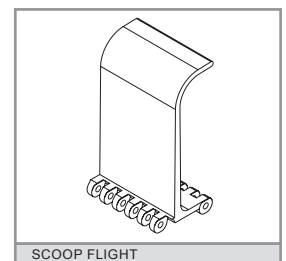
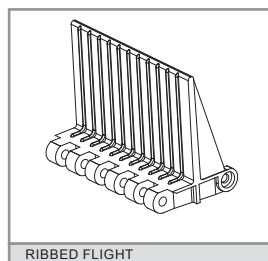
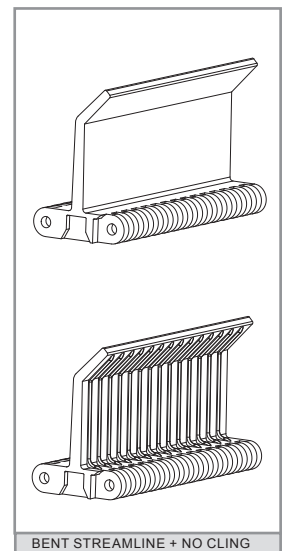
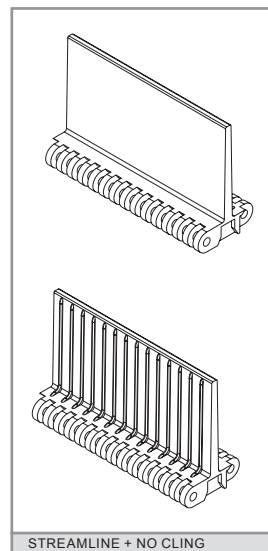
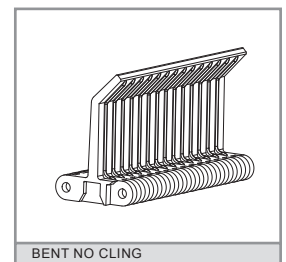
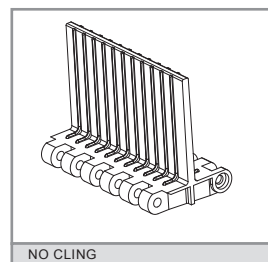
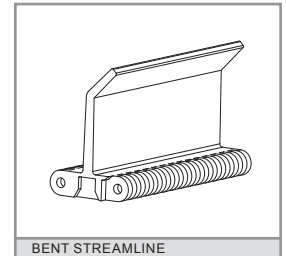
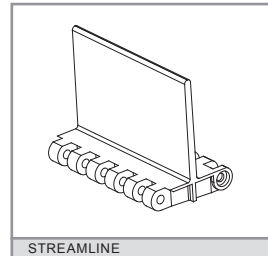
We also have sprockets to be used with motor drum in applications needing a special cleaning or in conveyors in which it is not possible to place the motor in the outside due to problems of space or safety.

N° of teeth T	Ø Pitch	Bore for square shaft		Hub width
		mm	inch	
SERIES C12				
11	42.59	20	3/4"	25
20	76.7	40	1.5"	25
26	99.55	40	1.5"	25
31	118.61	40 - 60	1.5" - 2.5"	25
40	152.94	40 - 60	1.5" - 2.5"	25
SERIES E20				
8	52.5	20	3/4"	24
16	102.5	40	1.5"	40
24	153.5	40 - 60	1.5"	40
SERIES A24				
7	55.31	20	-	20
13	100.25	40	1.5"	40
20	153.41	40 - 60	1.5"	40
25	191.48	40 - 60 - 90	1.5"	40
SERIES E30 - E31 - E32				
6	60	25	-	24
9	87.7	25 - 40	1" - 1.5"	24
11	106.5	40	1.5"	40
16	153.5	40 - 60	1.5" - 2.5"	40
20	191.5	40 - 60 - 90	1.5"	40
SERIES E40 - E41				
8	104.5	40	1.5"	40
10	129.4	40 - 60	1.5"	40
13	167.1	40 - 60	1.5"	40
16	205	40 - 60	1.5"	40
20	255.7	40 - 60 - 90	1.5"	40

N° of teeth T	Ø Pitch	Bore for square shaft		Hub width
		mm	inch	
SERIES E50				
6	100	40	1.5"	40
8	130.6	40	1.5"	40
10	161.8	40 - 60	1.5" - 2.5"	60
16	256.2	40 - 60	1.5"	60
SERIES B50				
6	100.00	40	1.5"	40
8	130.65	40	1.5"	40
10	161.80	40 - 60	1.5" - 2.5"	40
12	193.18	40 - 60	1.5" - 2.5"	40
16	256.29	40 - 60 - 90	1.5" - 2.5" - 3.5"	40
SERIES E80				
8	130.6	40	1.5"	40
10	161.8	40 - 60	1.5"	40
12	193.2	40 - 60	1.5"	40
16	256.3	40 - 60 - 90	1.5"	40
SERIES E93				
11	106.5	40	1.5"	25
16	153.5	40 - 60	1.5"	25
20	191.5	40 - 60	1.5"	25

PRODUCT RANGE [FLIGHTS AND SIDE GUARDS]

SERIES	HEIGHT (MM)													
	25	45	50	70	75	90	95	100	115	120	125	140	150	
STREAMLINE FLIGHT														
E50	•		•		•									
NO CLING FLIGHT														
E30	•		•											
E50	•		•		•			•			•			•
STREAMLINE + NO CLING FLIGHT														
E20	•		•											
A24	•		•											
E30	•		•		•									
E40	•		•		•			•						
E50	•		•		•			•			•			•
B50	•		•		•			•						•
E80	•		•		•			•						•
E93	•		•											
RIBBED FLIGHT														
E50					•									
BENT STREAMLINE FLIGHT														
E50					•									
BENT NO CLING FLIGHT														
E50		•		•		•			•				•	
BENT STREAMLINE + NO CLING FLIGHT														
E30		•		•										
E40		•		•		•								
E50		•		•		•			•				•	
B50		•		•		•							•	
E80		•		•		•							•	
SCOOP FLIGHT														
E50								•		•				
B50										•				
E80														•
SIDE GUARDS														
E20			•											
A24			•											
E30			•		•									
E40			•		•		•							
E50			•		•		•							
B50			•		•		•							
E80			•		•		•							



SERIES C12



FLAT TOP

FLUSH GRID

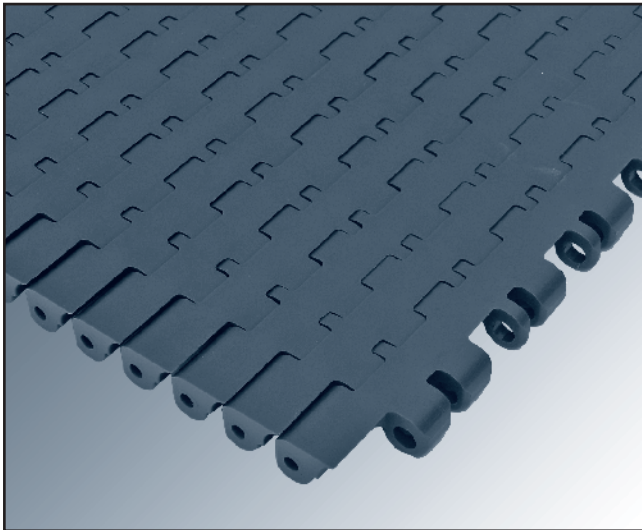
FLAT TOP

FLUSH GRID



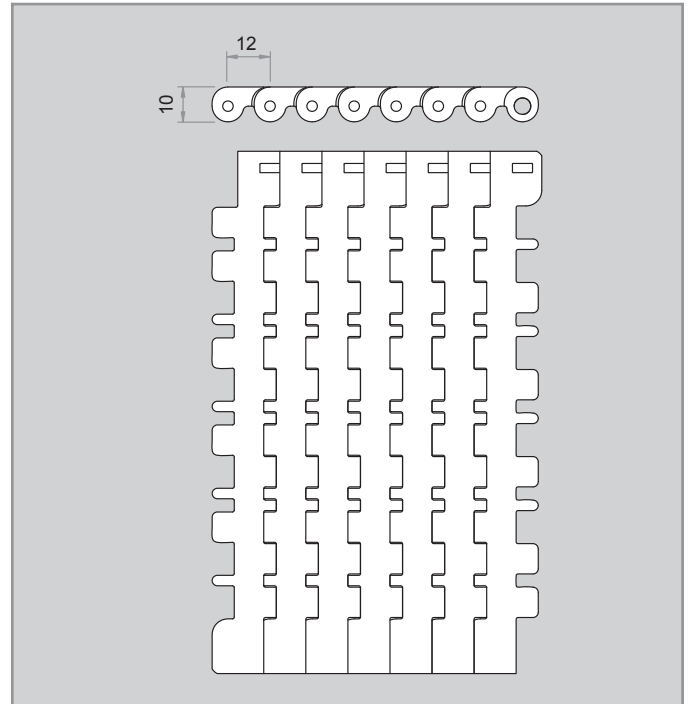
SERIES C12

SERIES C12 FLAT TOP



Eurobelt C12 Series Flat Top reduces the polyhedron effect thanks to its 12 mm pitch and it can turn on shafts of 18 mm.

Its surface completely flat avoids the product fall. Driven by an appropriate sprocket it can reach very high conveying speeds.

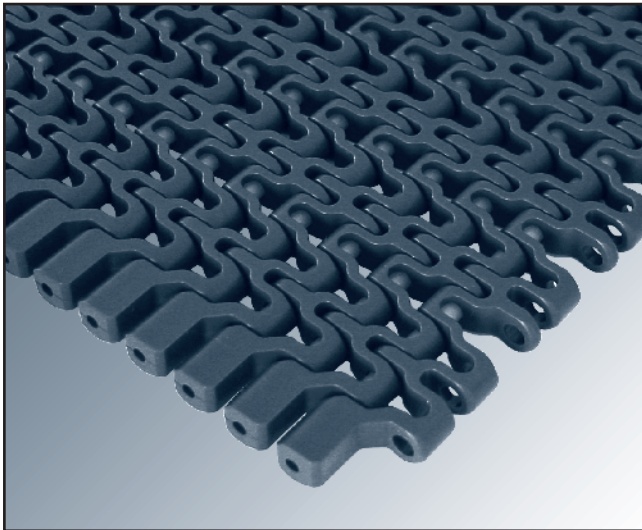


Pitch	12 mm
Surface	Flat Top
Open area	0 %
Thickness	10 mm
Drive system	Hinge
Belt width	Multiples of 25 mm
Rod diameter	Ø 4.6 mm
Retention system	Cap

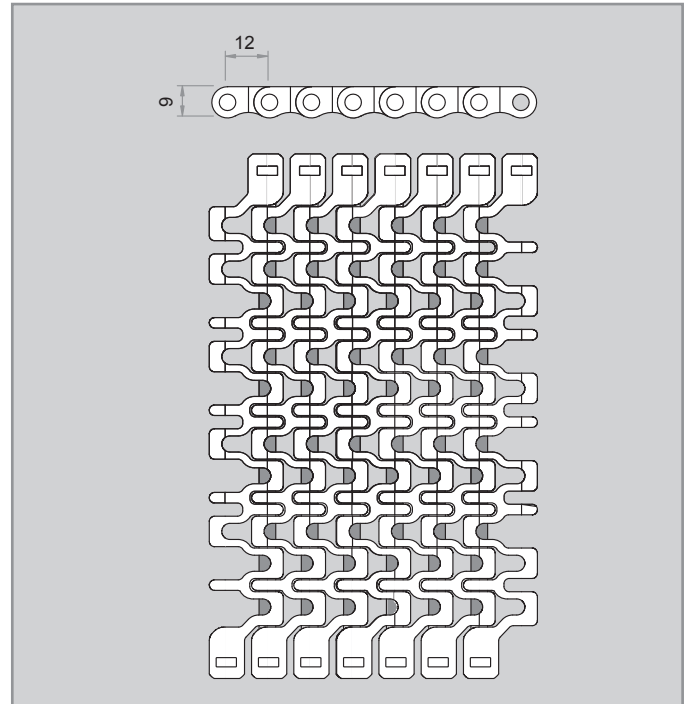
Material of the belt	Material of the rod	Belt strength (kg/m)	Temperature range (°C)	Belt weight (kg/m ²)	Available colours in stock
PP - Polypropylene	PP - Polypropylene	530	+1 to +104	6.07	[W] - [G] - [B]
PE - Polyethylene	PE - Polyethylene	300	-50 to +65	6.38	[N] - [B]
AC - Polyacetal	PP - Polypropylene	1,450	+1 to +90	8.61	[B]
	PE - Polyethylene	1,050	-40 to +65	8.65	[B]

Colours: [W] White - [G] Grey - [B] Blue - [N] Natural - [O] Black. // The materials and colours that are normally in stock are those above indicated. In special cases in which it is needed a belt in a material or colour different from those above mentioned, you should ask directly to EUROBELT.

SERIES C12 FLUSH GRID



Eurobelt Series C12 Flush Grid conveyor belt is ideal for product transfers at high speed in small rotation diameters. Its design with the rods in view, together with its extraordinary open surface, provides a great ease for cleaning.

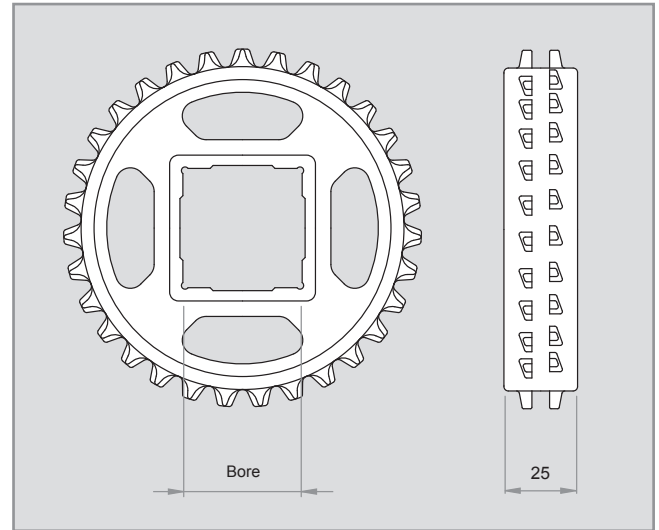
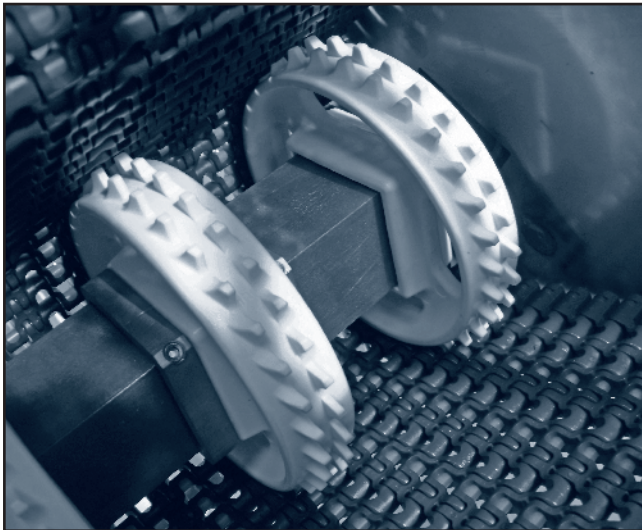


Pitch	12 mm
Surface	Flush Grid
Open area	26 %
Maximum opening (approx.)	[8.5 x 4.6] mm
Thickness	9 mm
Drive system	Hinge
Belt width	Multiples of 25 mm
Rod diameter	Ø 4.6 mm
Retention system	Cap

Material of the belt	Material of the rod	Belt strength (kg/m)	Temperature range (°C)	Belt weight (kg/m ²)	Available colours in stock
PP - Polypropylene	PP - Polypropylene	980	+1 to +104	4.60	[W] - [G] - [B]
PE - Polyethylene	PE - Polyethylene	550	-50 to +65	4.75	[N] - [B]
AC - Polyacetal	PP - Polypropylene	1,950	+1 to +90	6.50	[N] - [B]
	PE - Polyethylene	1,400	-40 to +65	6.54	[N] - [B]

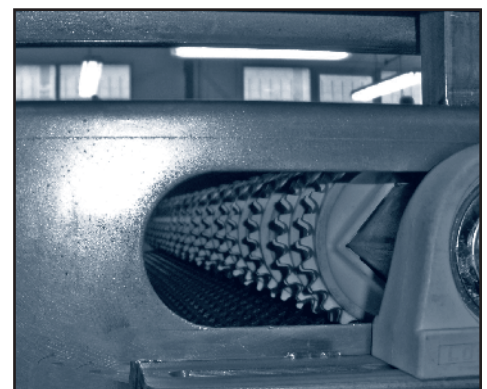
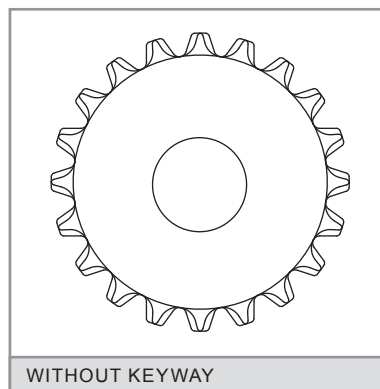
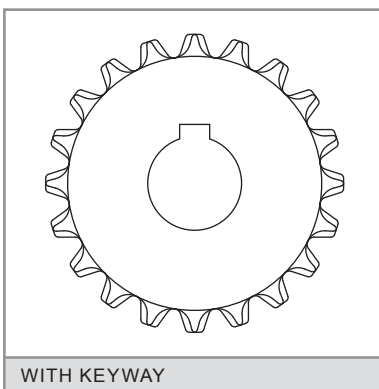
Colours: [W] White - [G] Grey - [B] Blue - [N] Natural - [O] Black. // The materials and colours that are normally in stock are those above indicated. In special cases in which it is needed a belt in a material or colour different from those above mentioned, you should ask directly to EUROBELT.

ACCESSORIES [SPROCKETS]



N° of teeth T	Ø Pitch	Bore for square shaft		Hub width	Material
		mm	inch		
11	42.59	20	¾"	25	Polypropylene Polyacetal Stainless steel
20	76.7	40	1.5"	25	
26	99.55	40	1.5"	25	
31	118.61	40	1.5"	25	
		60	2.5"		
40	152.94	40	1.5"	25	
		60	2.5"		

SPROCKETS FOR SQUARE SHAFT



We have plastic sprockets for round shaft with and without keyway. We also have sprockets to be used with motor drum in applications needing a special cleaning or in conveyors in which it is not possible to place the motor in the outside due to problems of space or safety.

ACCESSORIES [RETAINING RINGS]

INSTALLATION

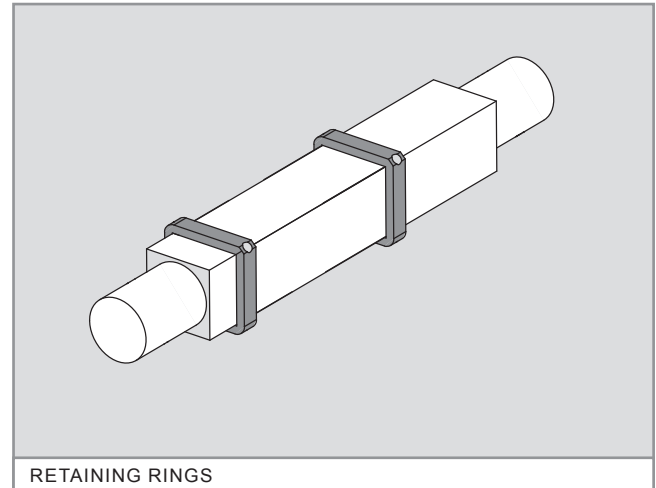
These rings are placed at every side of the central sprocket to fasten it to the shaft in order to avoid any lateral movements of the belt.

They are manufactured in AISI 316 stainless steel and they are fixed by means of a set screw stuffed in the ring itself.

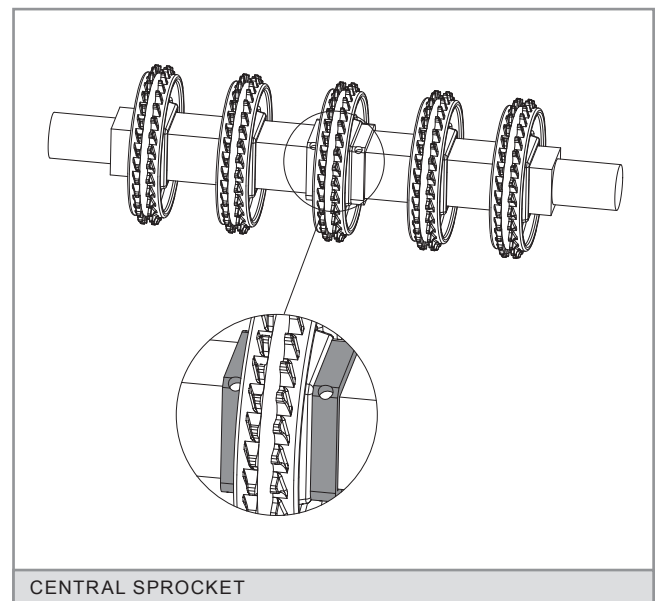
One sprocket, duly fixed with 2 retaining rings, should be put in the centre. Then you should place the same quantity of sprockets at every side of the central one but without any fixing, as they will absorb the possible belt expansions and contractions.

The same procedure should be carried out in both shafts.

Bore for square shaft	Screws
20	M 5 x 5
40	M 6 x 6
60	M 6 x 6

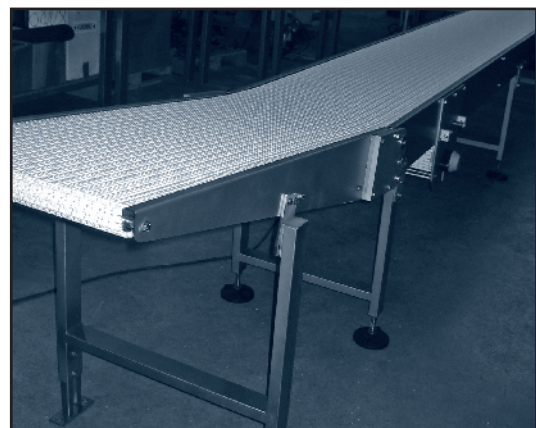
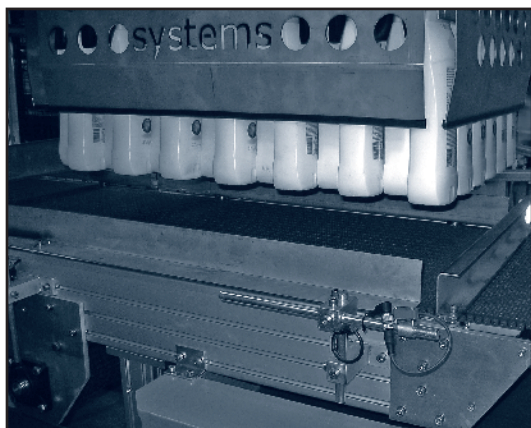
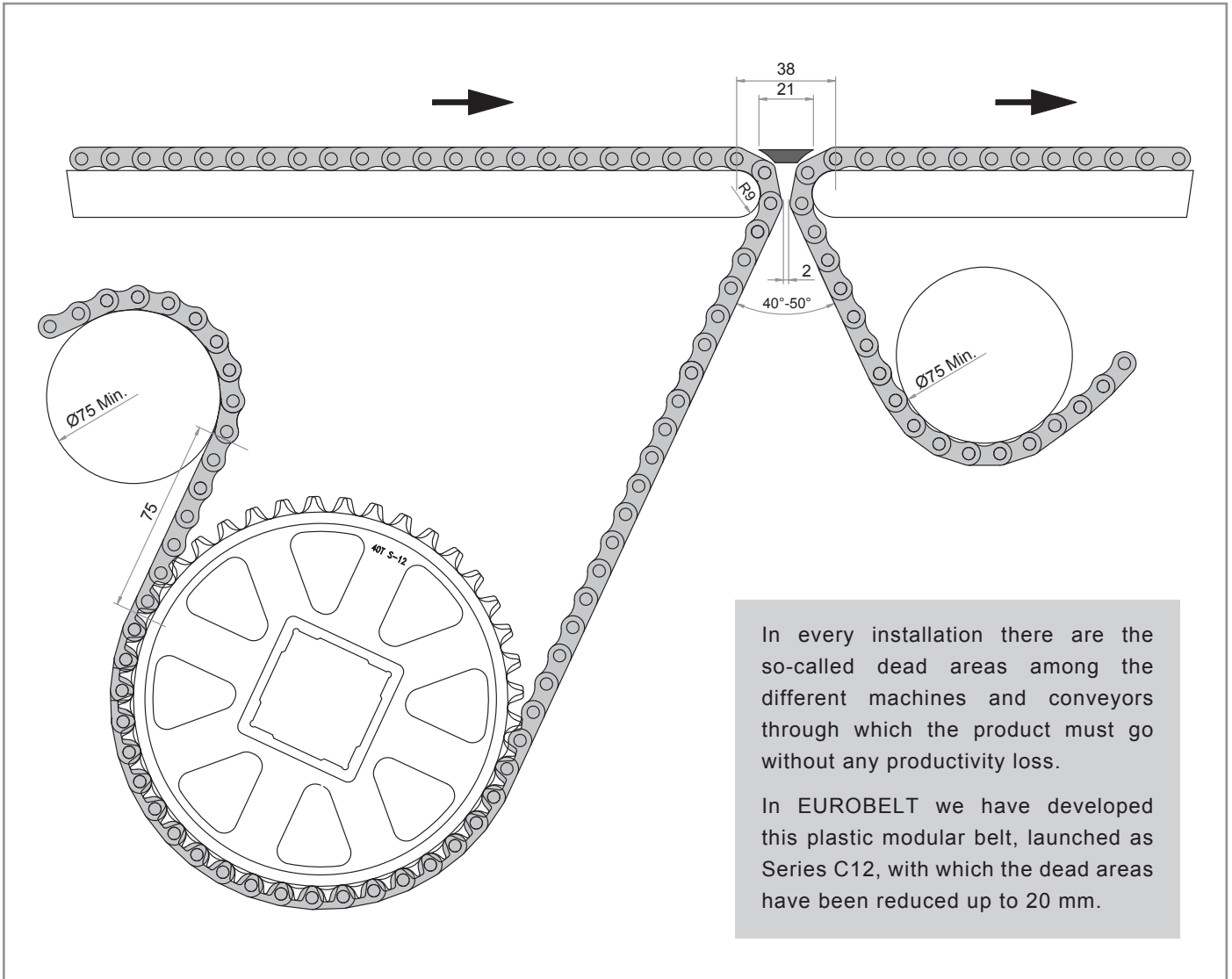


RETAINING RINGS

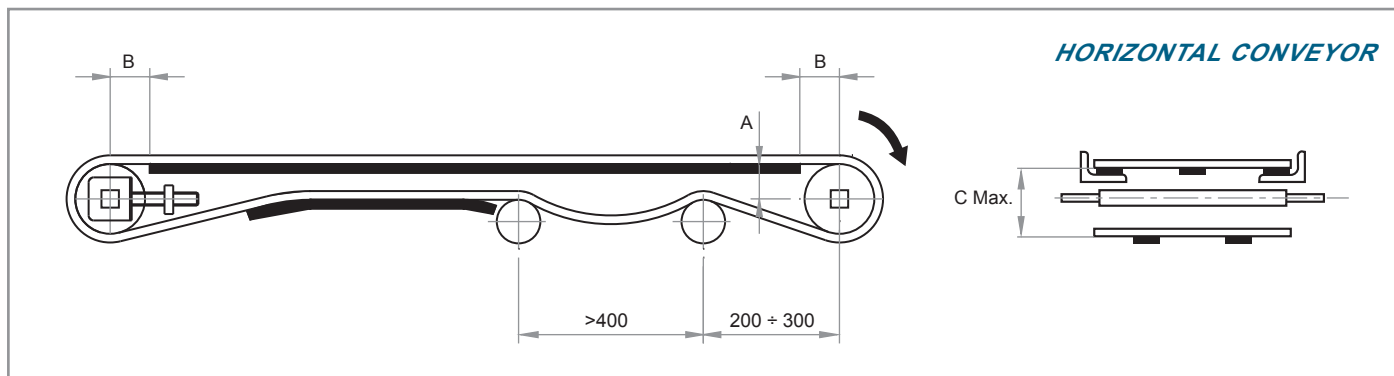


CENTRAL SPROCKET

CONSTRUCTION DATA [TRANSFERENCES]



CONSTRUCTION DATA [CONVEYOR]



[A] Distance between the sliding surface of the belt and the centre of the shaft.

[B] Distance between the vertical of the shaft and the beginning of the sliding surface.

[C] Distance between the sliding surface of the belt and the support of the return way.

In the construction of conveyors, the distances appearing in the chart below must be respected according to the belt Series and the size of the sprockets.

N° of teeth T	∅ Pitch	A	B max.	C max.
11	42.59	16	22	41
20	76.7	34	35	77
26	99.55	45	40	99
31	118.61	55	45	119
40	152.94	72	52	153

TABLE OF SPROCKETS AND WEARSTRIPS

Belt nominal width (mm)		Minimum quantity of sprockets per shaft	Minimum quantity of wearstrips	
			Transport way	Return way
50	75	1	2	2
100	225	3	2	2
250	375	5	3	2
400	525	7	4	3
550	675	9	5	3
700	825	11	6	4
850	975	13	7	4
1,000	1,125	15	8	5
1,150	1,275	17	9	5
1,300	1,425	19	10	6
1,450	1,575	21	11	6
1,600	1,725	23	12	7
1,750	1,875	25	13	7
1,900	2,025	27	14	8
2,050	2,175	29	15	8

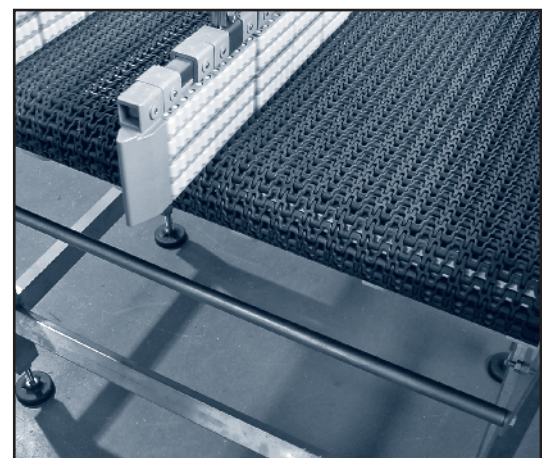
To calculate the necessary minimum quantity of sprockets for the drive shaft as well as for the idle one, the next formula has been used:

$$\text{Minimum quantity} = \frac{\text{Belt width (mm)}}{75 \text{ mm}}$$

This amount must always be odd.

To calculate the quantity of supports, the weight of the product to be transported must be taken into account.

The distance between supports should not exceed 150 mm in the transport way or 300 mm in the return way.



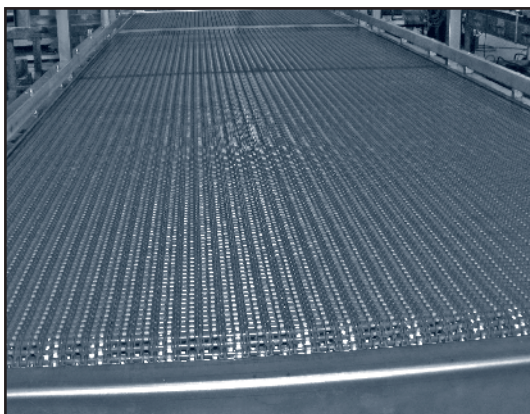
APPLICATIONS



HIGH SPEED LINES



PALLETISERS AND DEPALLETISERS



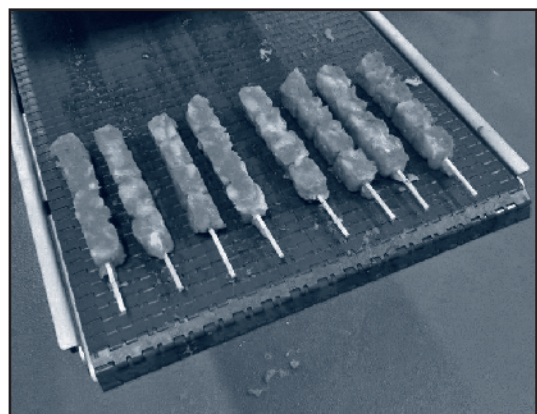
ACCUMULATION TABLES



ACCUMULATION TABLES OF CONTAINERS



FREEZING TUNNELS



SKEWER THREADING MACHINE

SERIES E20



FLAT TOP

FLUSH GRID

RAISED RIB

SLIDING ROLLERS

TRIAN FRICTION

TRIAN

FLAT TOP

FLUSH GRID

RAISED RIB

SLIDING ROLLERS

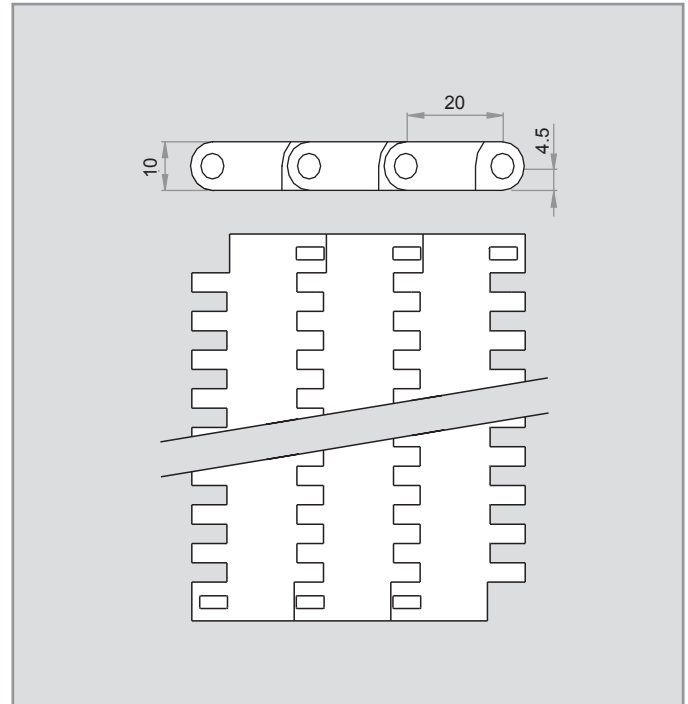
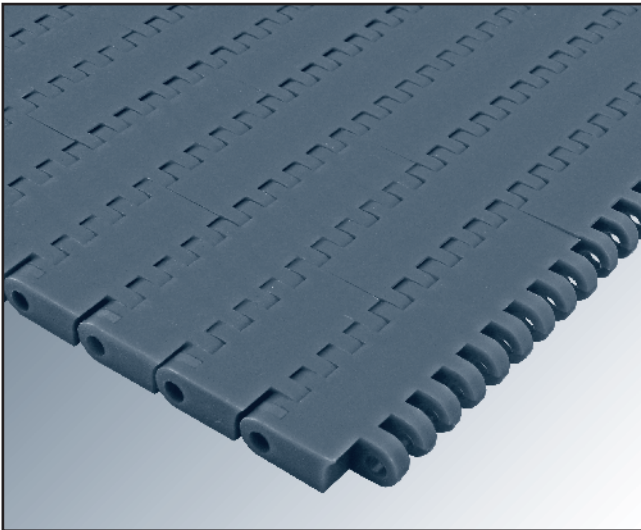
TRIAN FRICTION

TRIAN

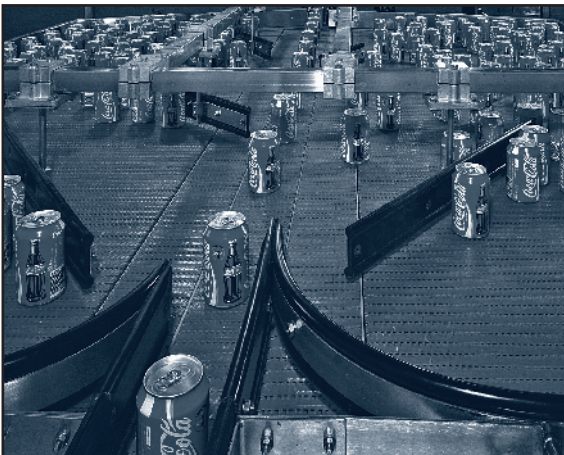


SERIES E20

SERIES E20 FLAT TOP



Eurobelt Series E20 Flat Top, due to a closed surface configuration, is the suitable conveyor belt for those applications in which it is not necessary any drainage through the belt and/or the product to be transported is small.

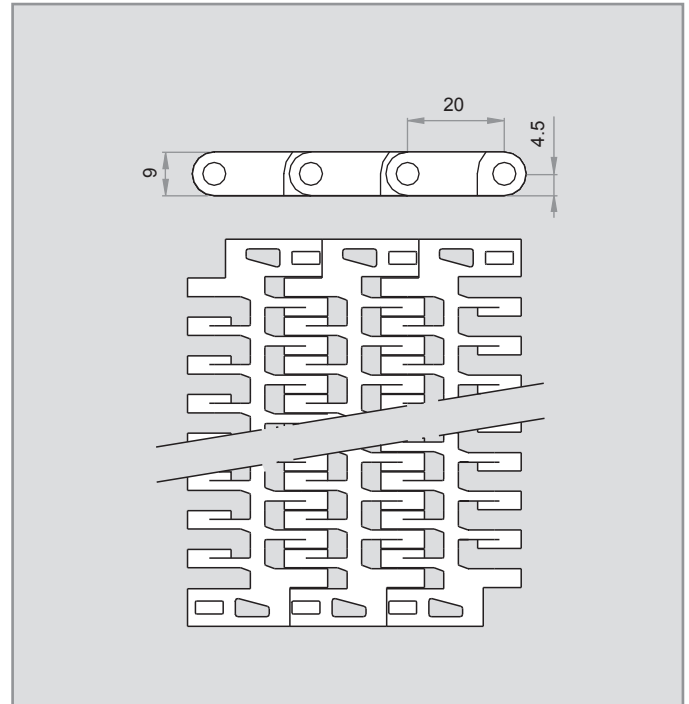
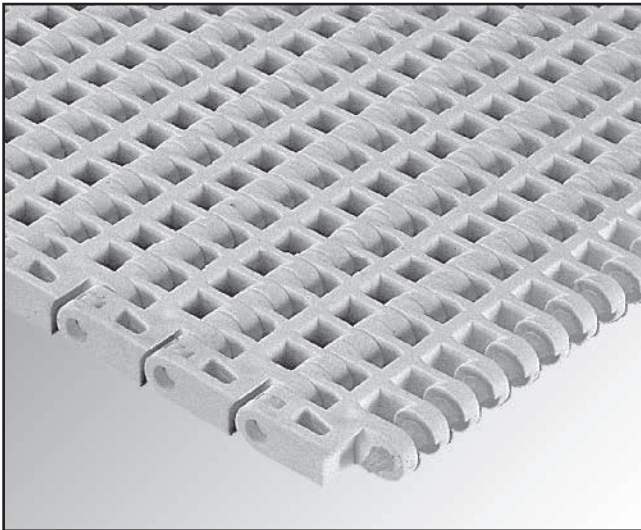


Pitch	20 mm
Surface	Flat Top
Open area	0 %
Thickness	10 mm
Drive system	Central
Belt width	Multiples of 8 mm
Rod diameter	Ø 4.6 mm
Retention system	Cap

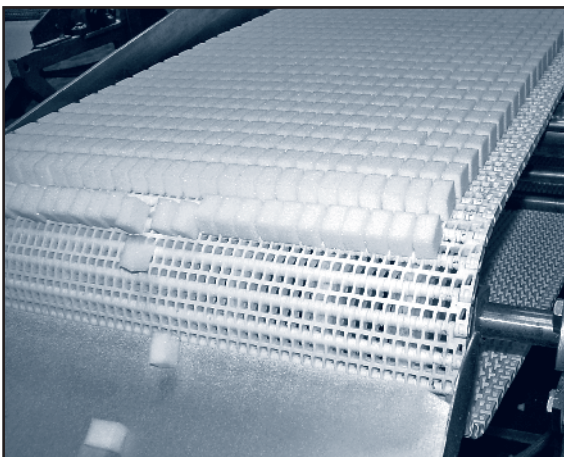
Material of the belt	Material of the rod	Belt strength (kg/m)	Temperature range (°C)	Belt weight (kg/m ²)	Available colours in stock
PP - Polypropylene	PP - Polypropylene	1,000	+1 to +104	5.75	[W] - [G] - [B]
PE - Polyethylene	PE - Polyethylene	500	-50 to +65	5.85	[N] - [B]
AC - Polyacetal	PP - Polypropylene	2,150	+1 to +90	8.31	[B]
	PE - Polyethylene	1,800	-40 to +65	8.35	[B]

Colours: [W] White - [G] Grey - [B] Blue - [N] Natural - [O] Black. // The materials and colours that are normally in stock are those above indicated. In special cases in which it is needed a belt in a material or colour different from those above mentioned, you should ask directly to EUROBELT.

SERIES E20 FLUSH GRID



Eurobelt Series E20 Flush Grid conveyor belt is ideal for applications in which drainage through the belt is required, avoiding any accumulation of particles on its surface. Easy cleaning due to the possibility of applying water under pressure through the belt.

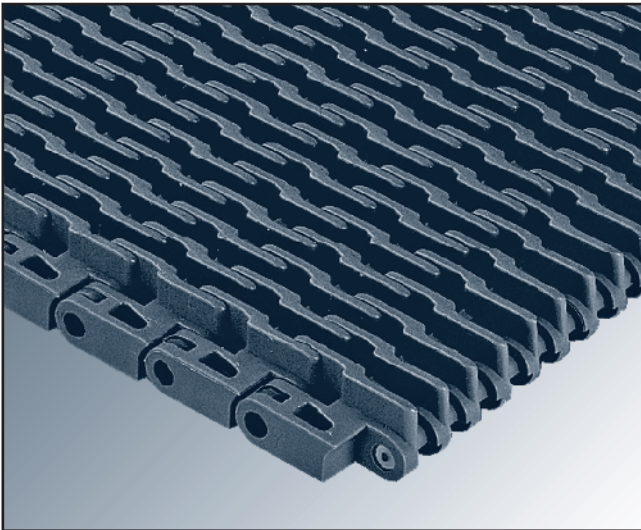


Pitch	20 mm
Surface	Flush Grid
Open area	32 %
Maximum opening (approx.)	[4 x 6] mm
Thickness	9 mm
Drive system	Central
Belt width	Multiples of 8 mm
Rod diameter	Ø 4.6 mm
Retention system	Cap

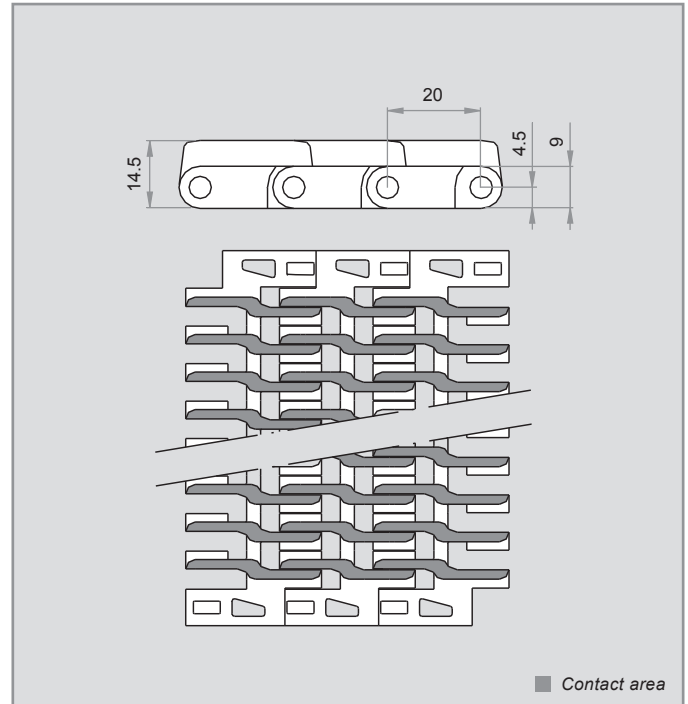
Material of the belt	Material of the rod	Belt strength (kg/m)	Temperature range (°C)	Belt weight (kg/m ²)	Available colours in stock
PP - Polypropylene	PP - Polypropylene	1,000	+1 to +104	4.20	[W] - [G] - [B]
PE - Polyethylene	PE - Polyethylene	500	-50 to +65	4.57	[N] - [B]
AC - Polyacetal	PP - Polypropylene	2,150	+1 to +90	6.32	[B]
	PE - Polyethylene	1,800	-40 to +65	6.36	[B]

Colours: [W] White - [G] Grey - [B] Blue - [N] Natural - [O] Black. // The materials and colours that are normally in stock are those above indicated. In special cases in which it is needed a belt in a material or colour different from those above mentioned, you should ask directly to EUROBELT.

SERIES E20 RAISED RIB



Eurobelt Series E20 Raised Rib is a conveyor belt designed to make product transfers by using finger plates. Both the grille-shaped configuration and the 32% open area make it suitable for applications in which drainage through the belt is required, and/or applications in which a smaller surface of contact is needed to prevent the product from adhering to the belt.

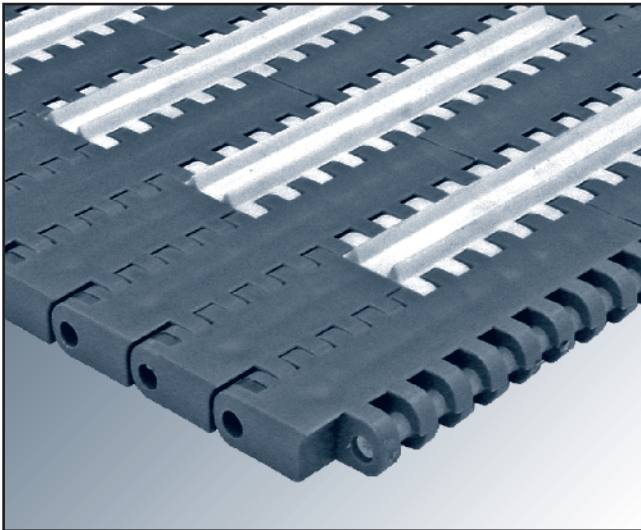


Pitch	20 mm
Surface	Raised Rib
Open area	32 %
Contact area	30 %
Maximum opening (approx.)	[4 x 6] mm
Thickness	15 mm
Drive system	Central
Belt width	Multiples of 8 mm
Rod diameter	Ø 4.6 mm
Retention system	Cap

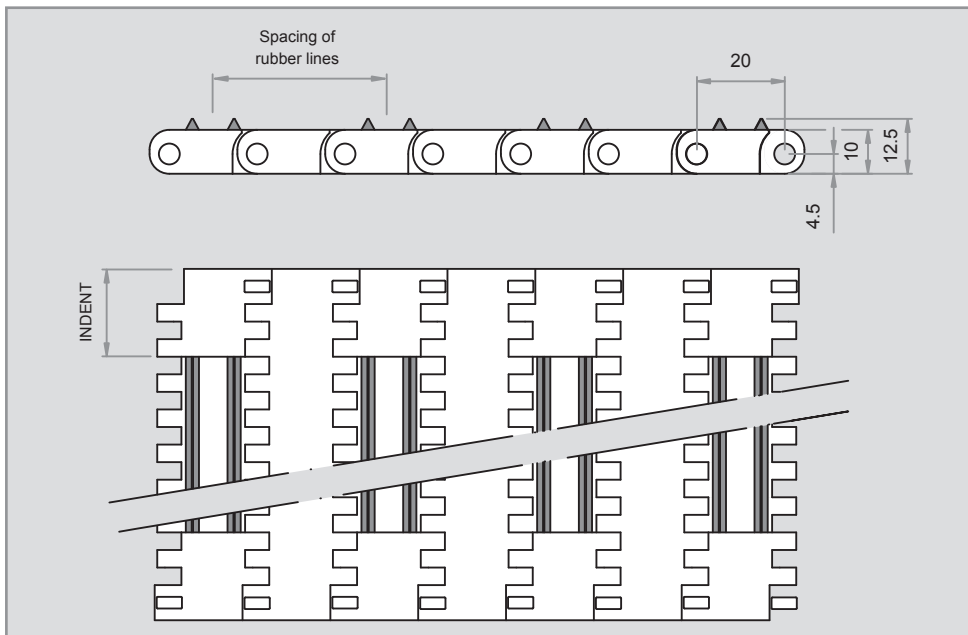
Material of the belt	Material of the rod	Belt strength (kg/m)	Temperature range (°C)	Belt weight (kg/m ²)	Available colours in stock
PP - Polypropylene	PP - Polypropylene	1,000	+1 to +104	6.05	[G]
AC - Polyacetal	PP - Polypropylene	2,150	+1 to +90	9.25	[B]
	PE - Polyethylene	1,800	-40 to +65	9.29	[B]

Colours: [W] White - [G] Grey - [B] Blue - [N] Natural - [O] Black. // The materials and colours that are normally in stock are those above indicated. In special cases in which it is needed a belt in a material or colour different from those above mentioned, you should ask directly to EUROBELT.

SERIES E20 TRIAN FRICTION TOP



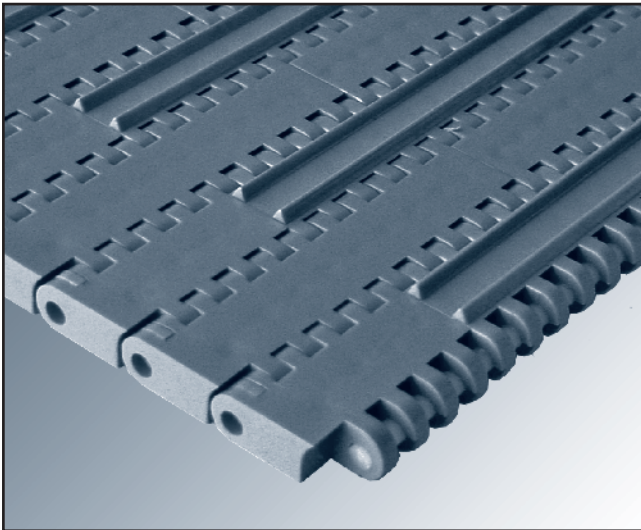
Pitch	20 mm
Surface	Trian Friction Top
Drive system	Central
Belt width	Multiples of 8 mm
Rod diameter	Ø 4.6 mm
Retention system	Cap
Rubber hardness grades	Shore A60
Indent	Multiples of 8 mm, minimum 16 mm
Spacing of rubber lines	Multiples of 40 mm



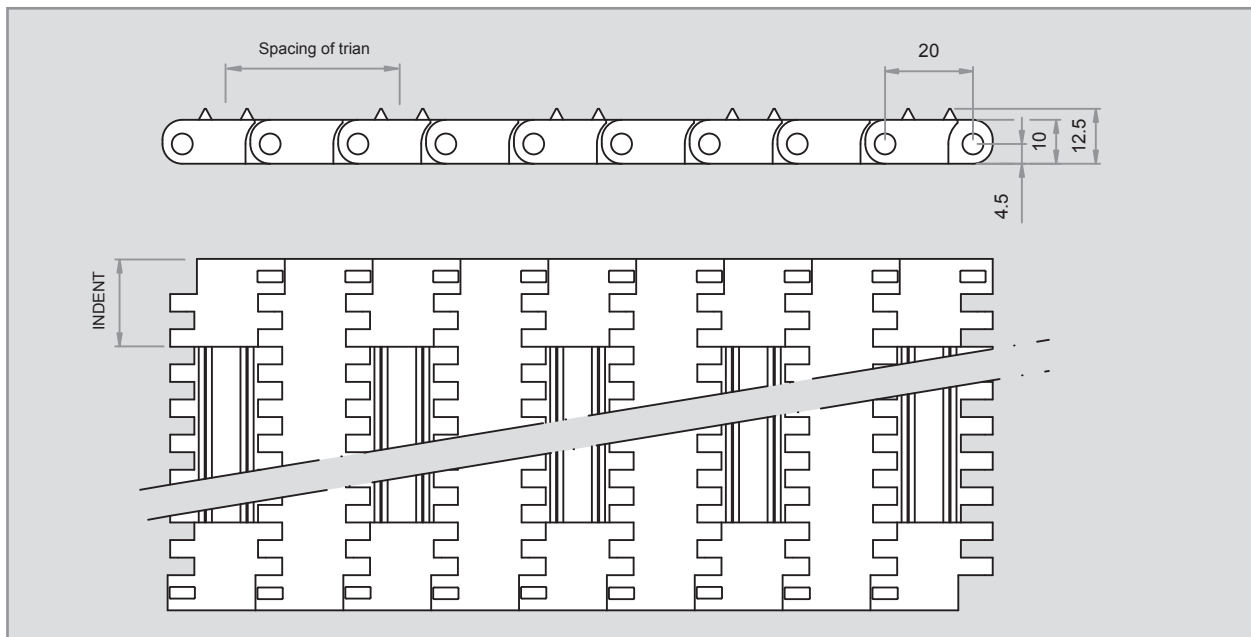
Surface of the belt	Material of the belt	Material of the rod	Belt strength (kg/m)	Temperature range (°C)	Available colours in stock
Trian Friction + Flat Top	PP - Polypropylene	PP - Polypropylene	1,000	+1 to +104	[W] - [G]
	PE - Polyethylene	PE - Polyethylene	500	-50 to +65	[N]
Trian Friction + Flush Grid	AC - Polyacetal	PP - Polypropylene	2,150	+1 to +90	[B]
		PE - Polyethylene	1,800	-40 to +65	[B]

Colours: [W] White - [G] Grey - [B] Blue - [N] Natural - [O] Black. // The materials and colours that are normally in stock are those above indicated. In special cases in which it is needed a belt in a material or colour different from those above mentioned, you should ask directly to EUROBELT.

SERIES E20 TRIAN



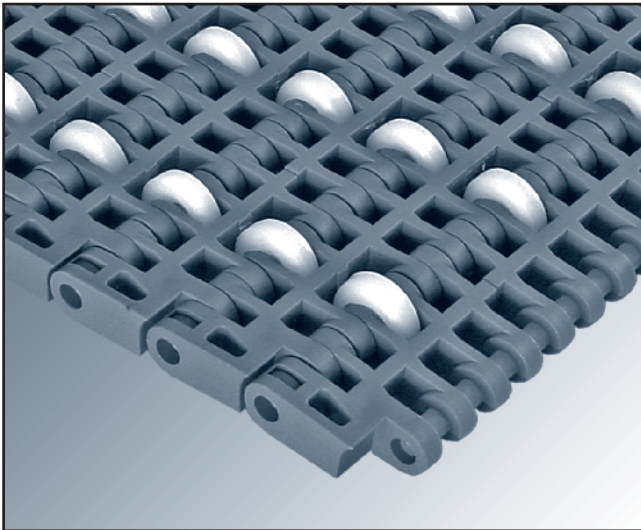
Pitch	20 mm
Surface	Trian
Drive system	Central
Belt width	Multiples of 8 mm
Rod diameter	Ø 4.6 mm
Retention system	Cap
Indent	Multiples of 8 mm, minimum 16 mm
Spacing of trian	Multiples of 20 mm



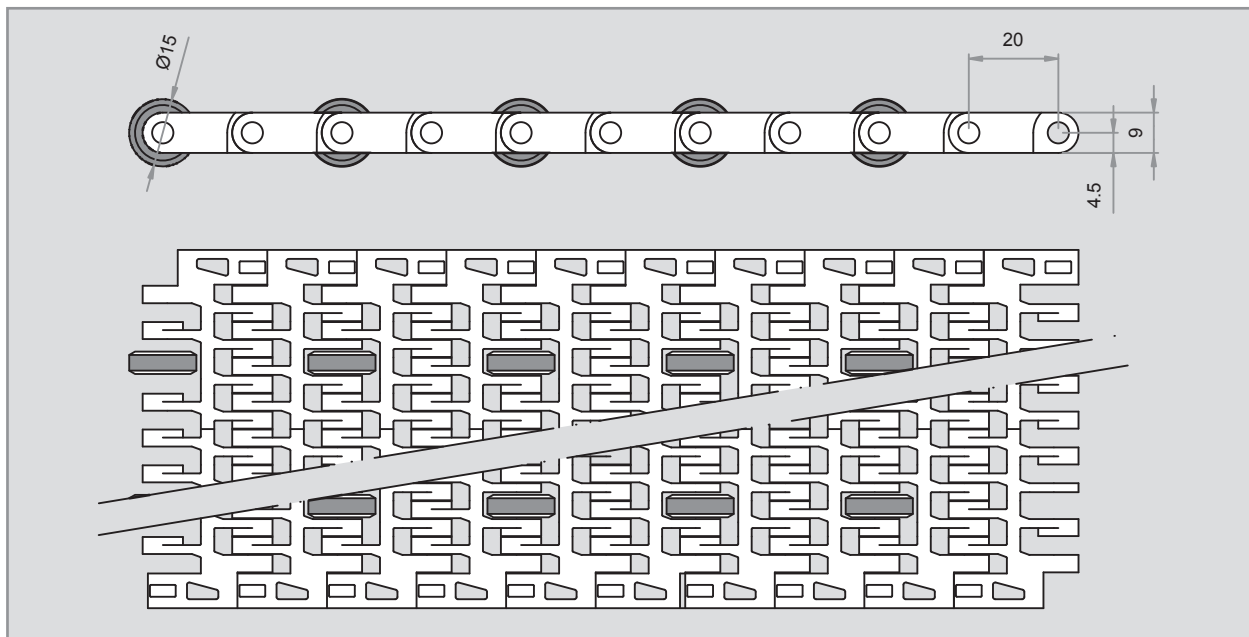
Surface of the belt	Belt standard material	Rod standard material	Belt strength (kg/m)	Temperature range (°C)	Available colours in stock
Trian + Flat Top	PP - Polypropylene	PP - Polypropylene	1,000	+1 to +104	[W]
	PE - Polyethylene	PE - Polyethylene	500	-50 to +65	[N]
Trian + Flush Grid	AC - Polyacetal	PP - Polypropylene	2,150	+1 to +90	[B]
		PE - Polyethylene	1,800	-40 to +65	[B]

Colours: [W] White - [G] Grey - [B] Blue - [N] Natural - [O] Black. // The materials and colours that are normally in stock are those above indicated. In special cases in which it is needed a belt in a material or colour different from those above mentioned, you should ask directly to EUROBELT.

SERIES E20 SLIDING ROLLERS



Pitch	20 mm
Surface	Sliding Rollers
Drive system	Central
Belt width	Multiples of 8 mm
Rod diameter	Ø 4.6 mm
Retention system	Cap
Diameter of small roller	Ø 15 mm
Width of small roller	4.9 mm
Material of small roller	Polyacetal
Sliding Rollers pitch	Multiples of 20 mm

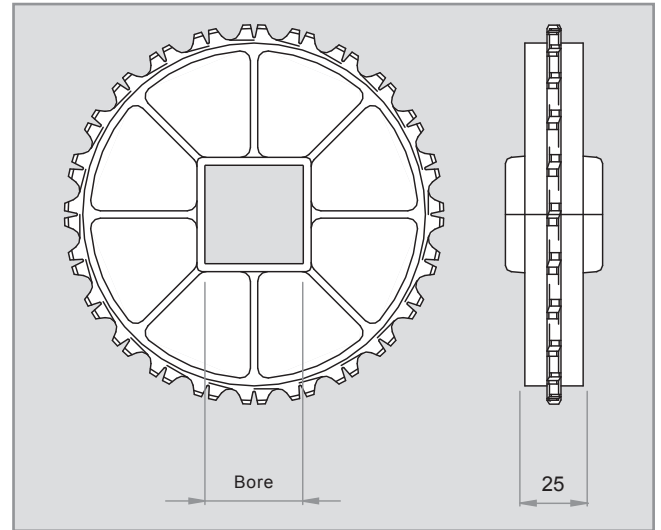


Surface of the belt	Belt standard material	Rod standard material	Belt strength (kg/m)	Temperature range (°C)	Available colours in stock
Flush Grid	PP - Polypropylene	PP - Polypropylene	1,000	+1 to +104	[W] - [G]
	PE - Polyethylene	PE - Polyethylene	500	-50 to +65	[N]
	AC - Polyacetal	PP - Polypropylene	2,150	+1 to +90	[B]
		PE - Polyethylene	1,800	-40 to +65	[B]

This conveyor belt has been designed mainly to solve problems of conveyance of boxes, containers, etc.

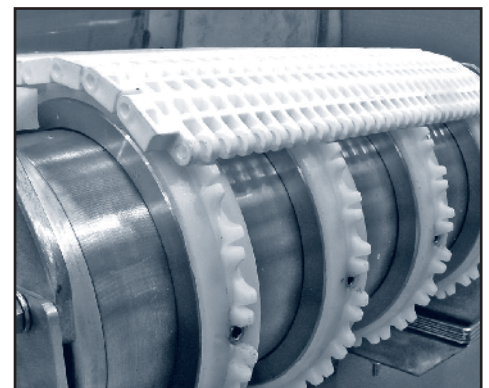
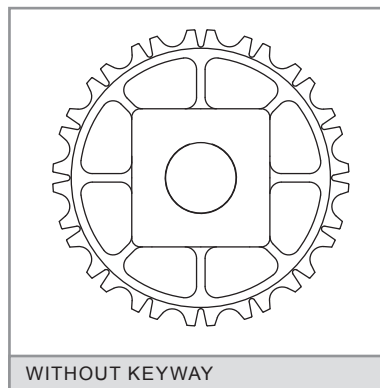
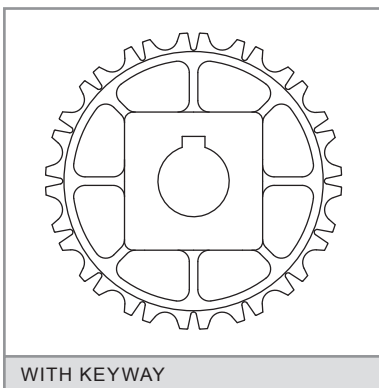
Colours: [W] White - [G] Grey - [B] Blue - [N] Natural - [O] Black. // The materials and colours that are normally in stock are those above indicated. In special cases in which it is needed a belt in a material or colour different from those above mentioned, you should ask directly to EUROBELT.

ACCESSORIES [SPROCKETS]



N° of teeth T	Ø Pitch	Bore for square shaft		Hub width	Materials
		mm	inch		
8	52.5	20	¾"	24	Polypropylene Polyacetal Stainless steel
16	102.5	40	1.5"	40	
24	153.5	40 60	1.5"	40	

SPROCKETS FOR SQUARE SHAFT



We have plastic sprockets for round shaft with and without keyway. We also have sprockets to be used with motor drum in applications needing a special cleaning or in conveyors in which it is not possible to place the motor in the outside due to problems of space or safety.

ACCESSORIES [RETAINING RINGS]

INSTALLATION

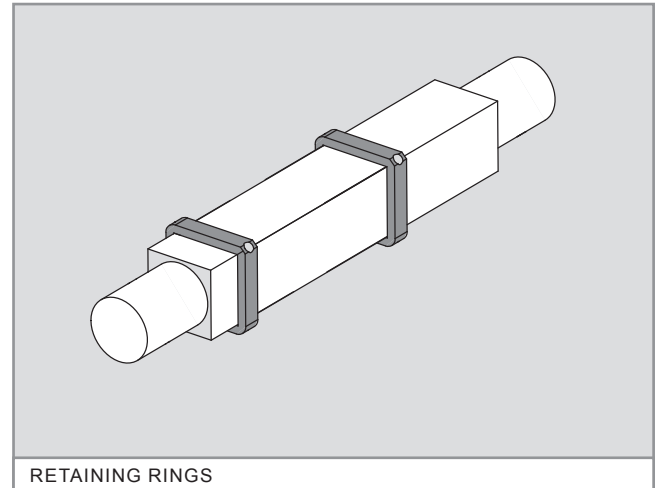
These rings are placed at every side of the central sprocket to fasten it to the shaft in order to avoid any lateral movements of the belt.

They are manufactured in AISI 316 stainless steel and they are fixed by means of a set screw stuffed in the ring itself.

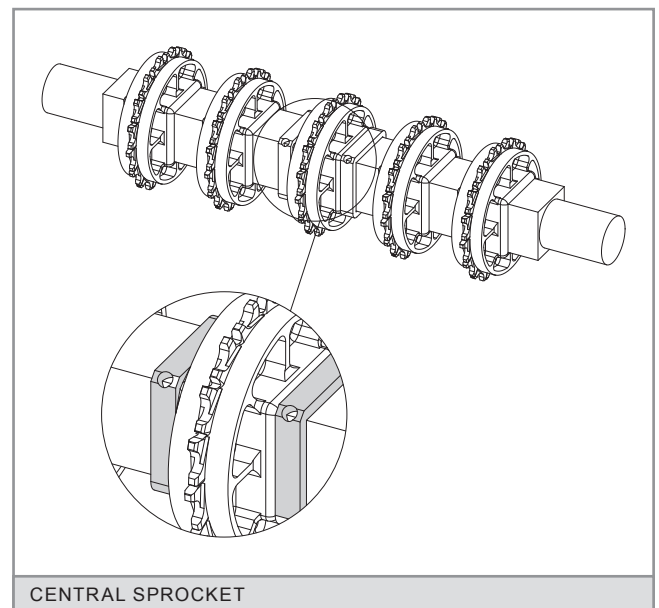
One sprocket, duly fixed with 2 retaining rings, should be put in the centre. Then you should place the same quantity of sprockets at every side of the central one but without any fixing, as they will absorb the possible belt expansions and contractions.

The same procedure should be carried out in both shafts.

Bore for square shaft	Screws
20	M 5 x 5
40	M 6 x 6
60	M 6 x 6



RETAINING RINGS



CENTRAL SPROCKET

ACCESSORIES [FLIGHTS AND SIDE GUARDS]



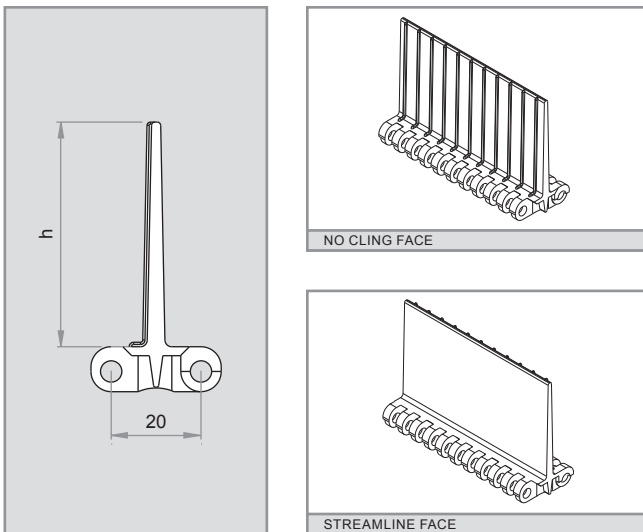
The **flights** are plastic accessories to be inserted across the belt. They are used to push the product in ascent, descent or accompaniment applications, avoiding that it slips along the belt.

Its non-stick side has ribs that project over the surface to prevent the product from sticking.

The **side guards** are plastic accessories to be inserted into the belt structure to retain the product laterally, avoiding overflows and frictions with the conveyor structure itself.

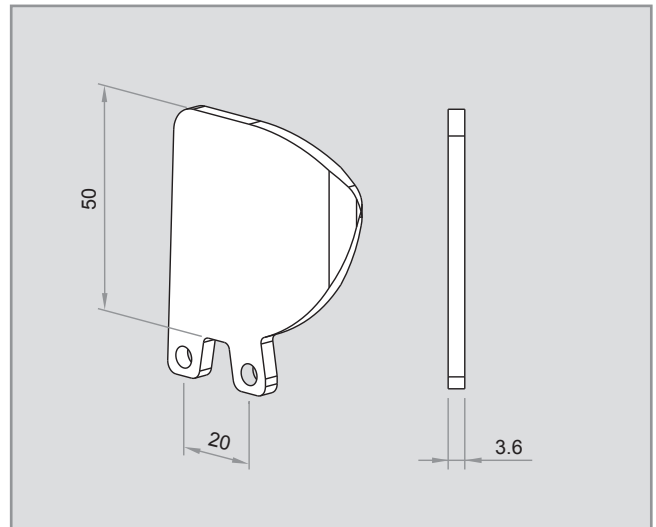
It is possible to cut down the standard height for special applications.

STRAIGHT FLIGHTS [STREAMLINE + NO CLING]



Accessories	Height (h)	Materials
Straight flight	25	Polypropylene
	50	Polyethylene Polyacetal

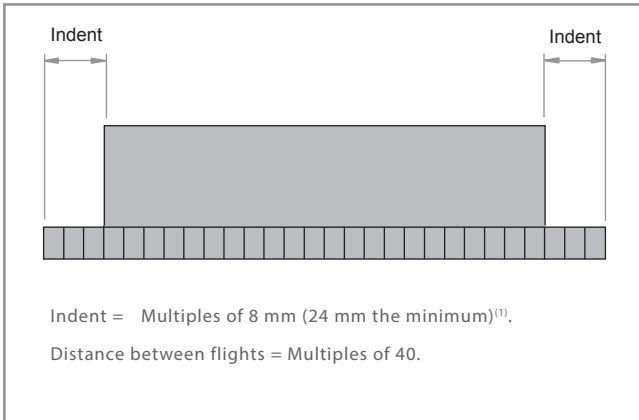
SIDE GUARDS



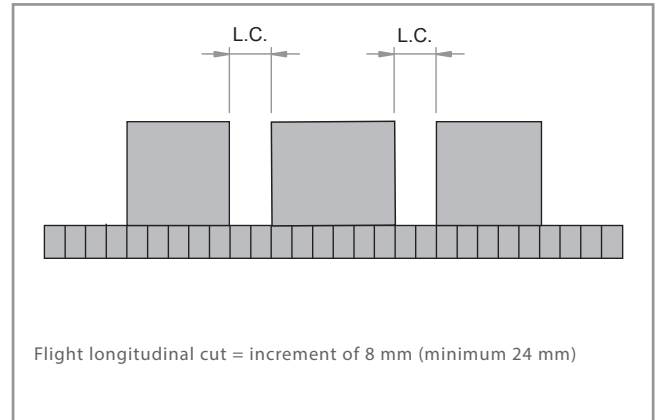
Accessories	Height (h)	Materials
Side guards	50	Polypropylene Polyethylene Polyacetal

TECHNICAL DATA [FLIGHTS AND SIDE GUARDS]

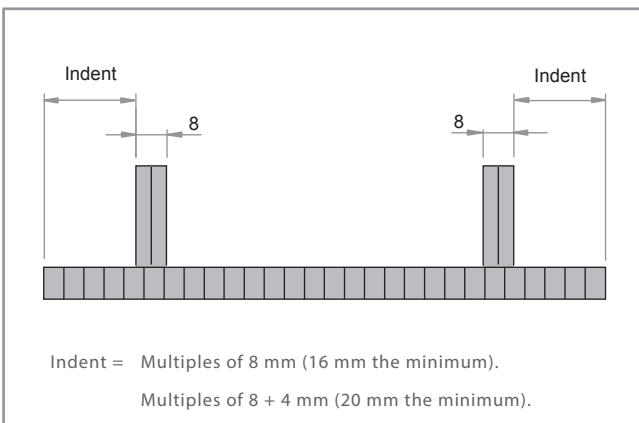
BELT ONLY WITH FLIGHTS



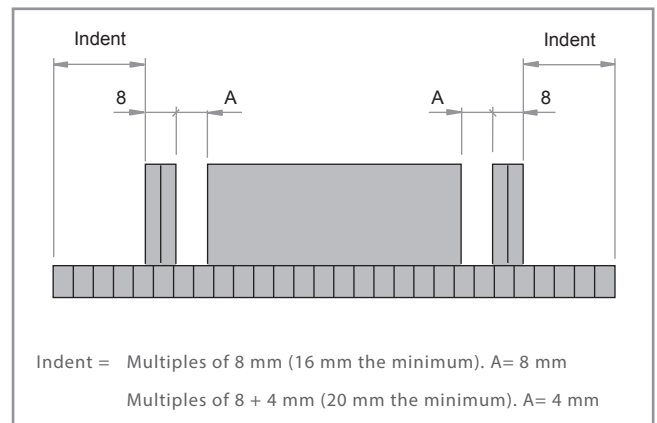
BELT WITH LONGITUDINAL CUTS



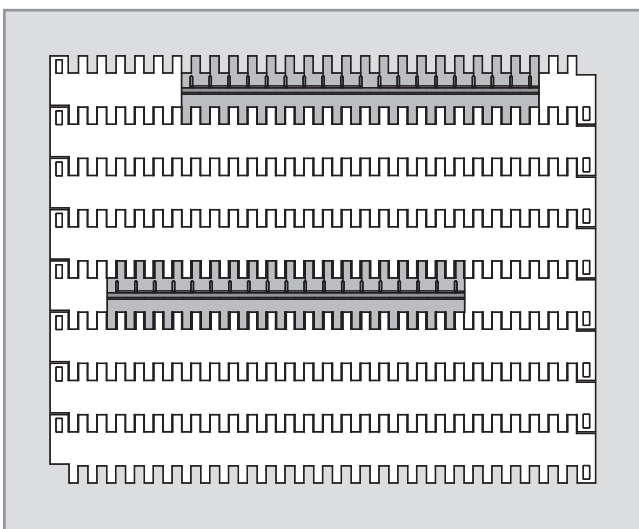
BELT ONLY WITH SIDE GUARDS



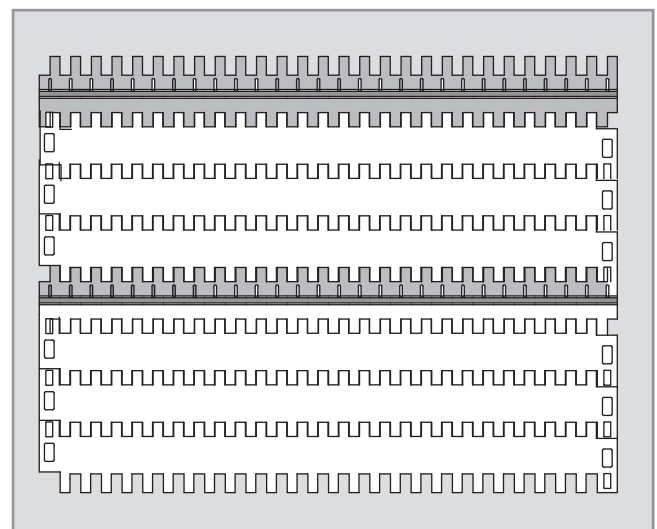
BELT WITH FLIGHTS AND SIDE GUARDS



BELT WITH ZIGZAG FLIGHTS

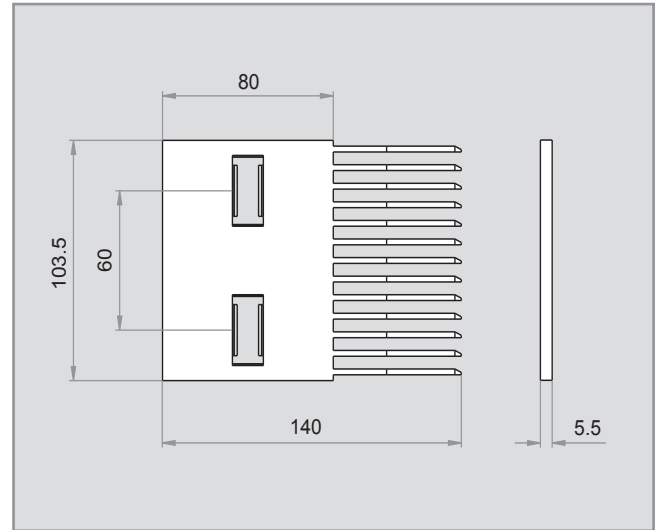
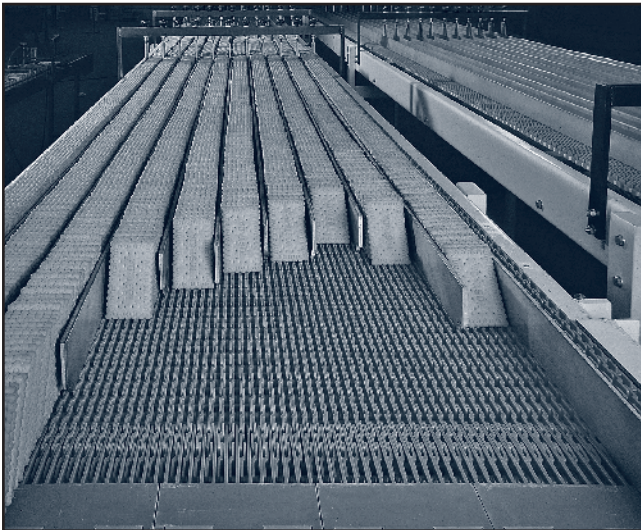


BELT WITH FLIGHTS, WITHOUT INDENT



⁽¹⁾ Ask for the possibility of shaping your belt with a smaller indent than that recommended.

ACCESSORIES [FINGER PLATES]

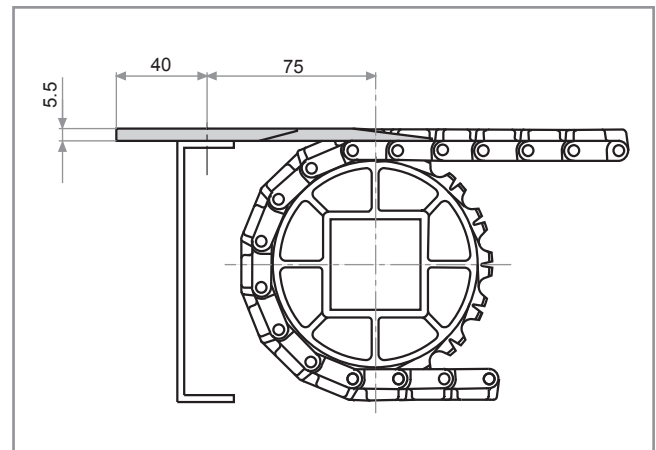


They have been designed to be used with the Raised Rib belt in applications of intersection of lines in which it is necessary to transfer the product by means of finger plates.

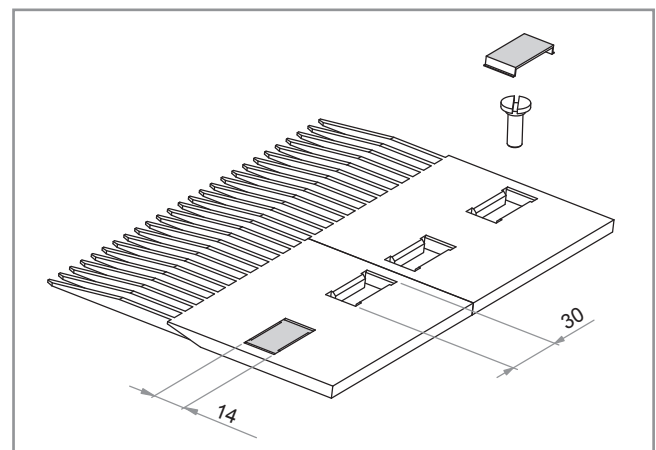
The finger plates are manufactured in nylon and acetal. They have 13 teeth that hide among the projecting ribs of the belt, allowing the constant flow of product as the belt is engaged. They avoid the use of conventional dead plates and consequently the problems by stumbling and fall of the product.

They have two fastening holes that enable little displacements to achieve a better coupling with the belt. Those holes are located so that they reduce to the minimum the vibrations owing to the turn of the belt over the sprockets.

The finger plates can be easily installed in the structure of the conveyor putting a screw in each hole. The dimensions of these screws are: M 6 x 19 mm.



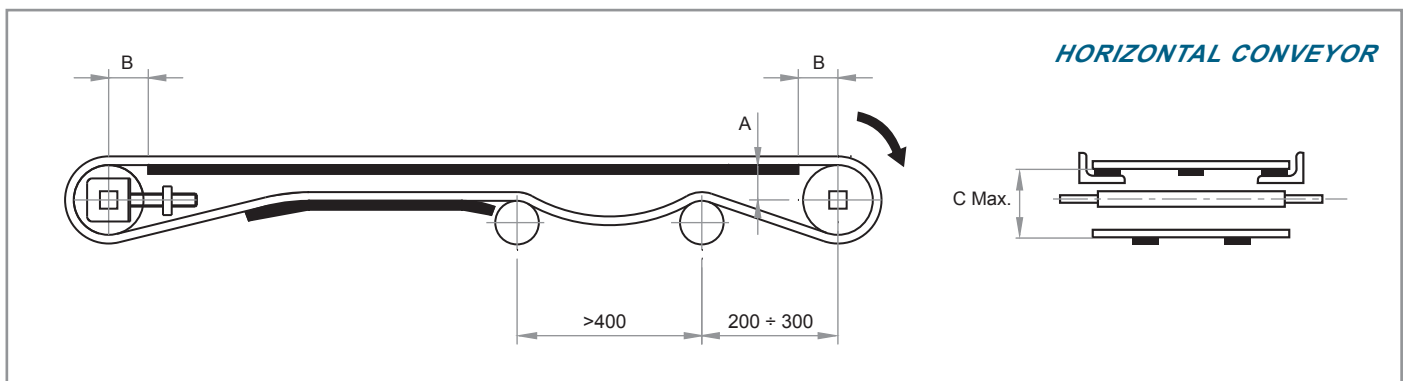
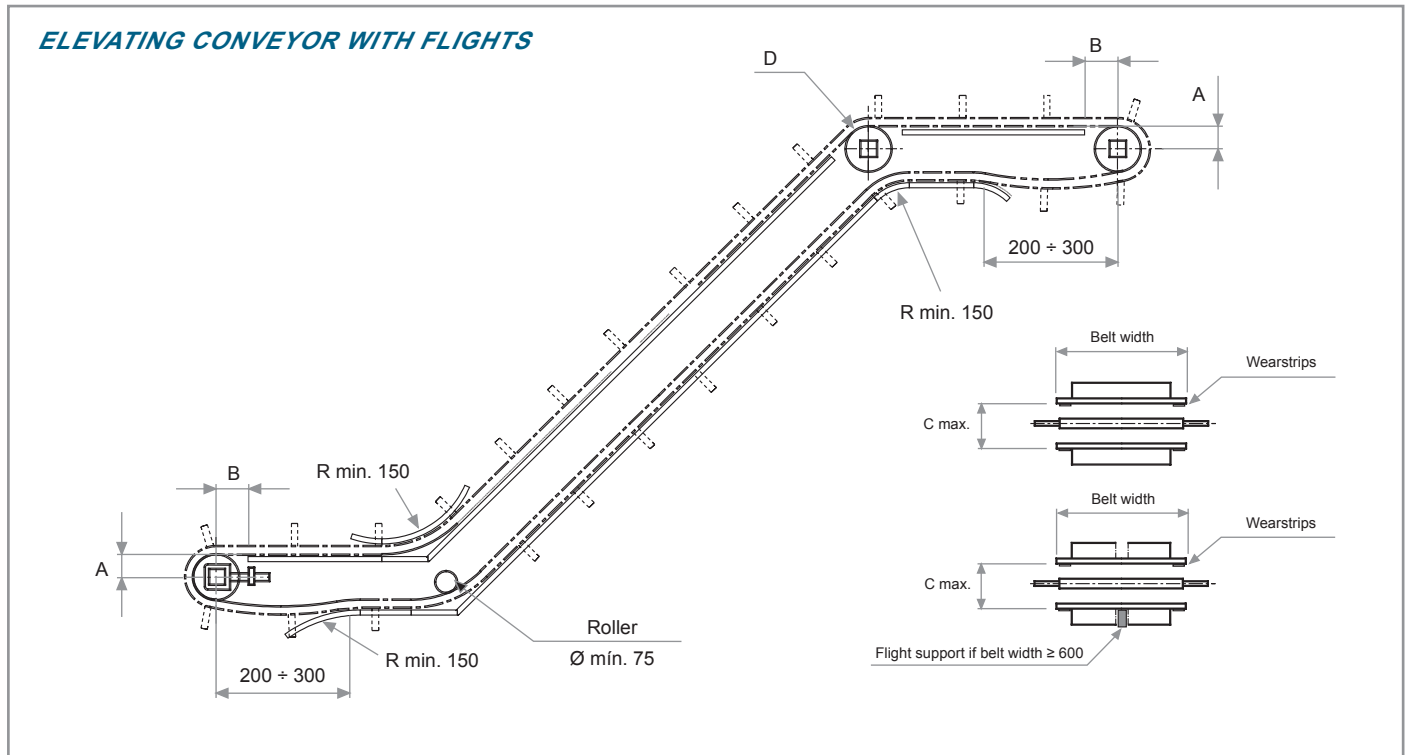
DESIGN DATA



INSTALLATION

Materials / Colours	N° of teeth	N° of holes
Nylon / Black	13	2
Polyacetal / Grey		

CONSTRUCTION DATA [CONVEYOR]



[A] Distance between the sliding surface of the belt and the centre of the shaft.

[B] Distance between the vertical of the shaft and the beginning of the sliding surface.

[C] Distance between the sliding surface of the belt and the support of the return way.

[D] If sprockets are used in the inflexion shaft, do not retain the central one.

[R] This radius must be as big as allowed by the application in order to minimize the wear (min. 150 mm). For belts with side guards, consult about this radius.

In the construction of conveyors, the distances appearing in the chart below must be respected according to the belt Series and the size of the sprockets.

N° of teeth T	Ø Pitch	A	B max.	C max.
8	52.2	20	28	65
16	102.5	46	50	110
24	153.5	72	65	155

TABLE OF SPROCKETS AND WEARSTRIPS

Belt nominal width (mm)		Minimum quantity of sprockets per shaft	Minimum quantity of wearstrips	
			Transport way	Return way
32	104	1	2	2
112	216	3	2	2
224	352	5	3	2
360	496	7	4	2
504	632	9	5	3
640	776	11	6	3
784	912	13	7	4
920	1,056	15	8	4
1,064	1,192	17	8	4
1,200	1,336	19	9	5
1,344	1,472	21	10	5
1,480	1,616	23	11	6
1,624	1,752	25	12	6
1,760	1,896	27	13	7
1,904	2,032	29	14	7
2,040	2,176	31	15	8
2,184	2,312	33	16	8
2,320	2,456	35	17	9
2,464	2,592	37	18	9

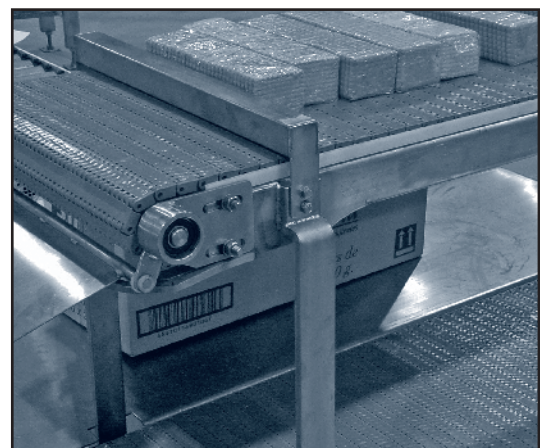
To calculate the necessary minimum quantity of sprockets for the drive shaft as well as for the idle one, the next formula has been used:

$$\text{Minimum quantity} = \frac{\text{Belt width (mm)}}{70 \text{ mm}}$$

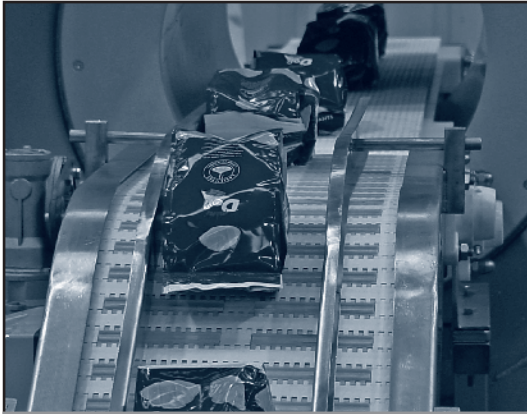
This amount must always be odd.

To calculate the quantity of supports, the weight of the product to be transported must be taken into account.

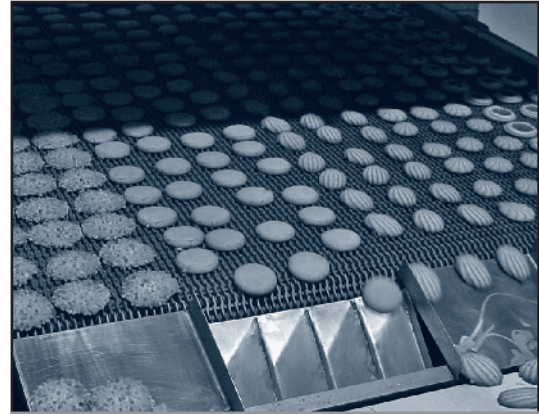
The distance between supports should not exceed 150 mm in the transport way or 300 mm in the return way.



APPLICATIONS



METAL DETECTORS



COOLING LINES



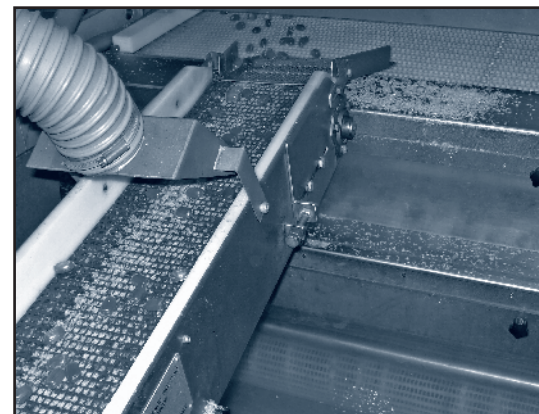
ACCUMULATION TABLES



PILE-UP MACHINES



PLASTIC FILM WRAPPING



DISTRIBUTORS

SERIES A24



FLAT TOP

FLUSH GRID

RAISED RIB

FLAT TOP

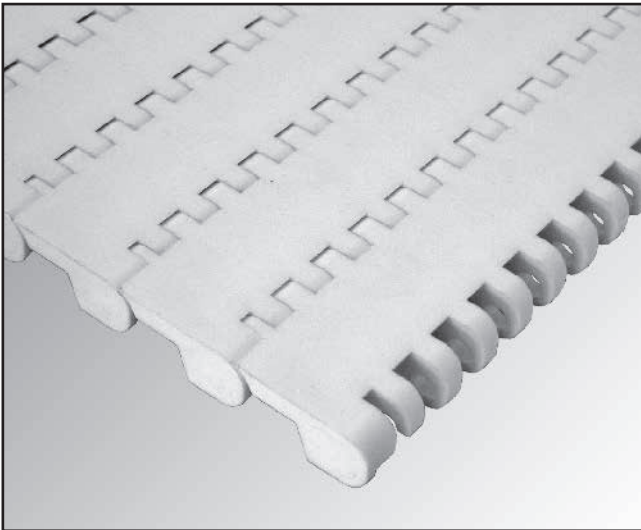
FLUSH GRID

RAISED RIB

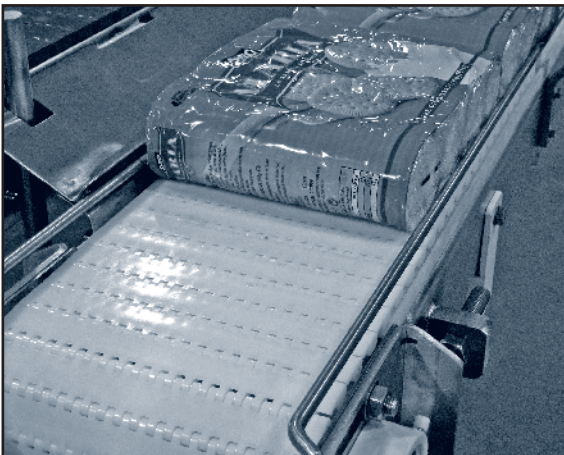
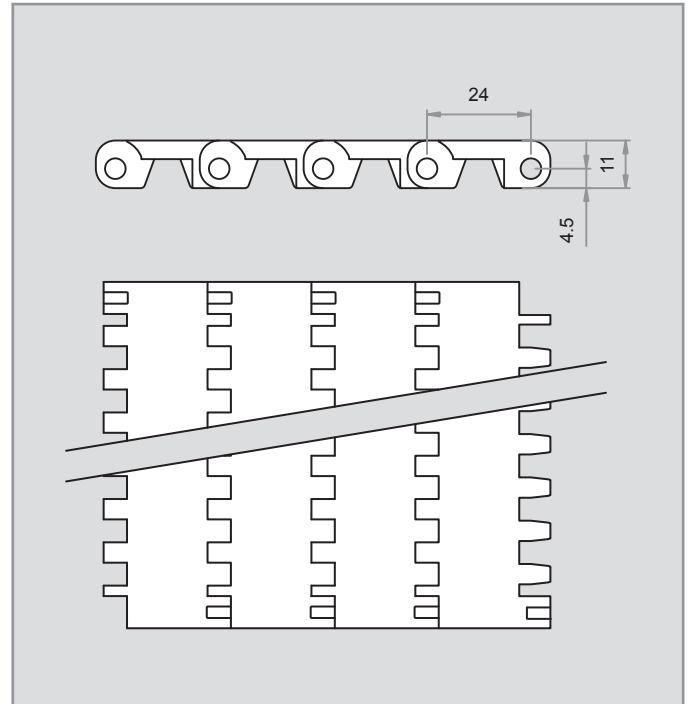


SERIES A24

SERIES A24 FLAT TOP



Eurobelt Series A24 Flat Top is a conveyor belt completely smooth which enables to channel water and debris to the edges in a quick and easy manner. Their completely open belt edges increase the cleaning efficiency and allow us to work in the best sanitary conditions.

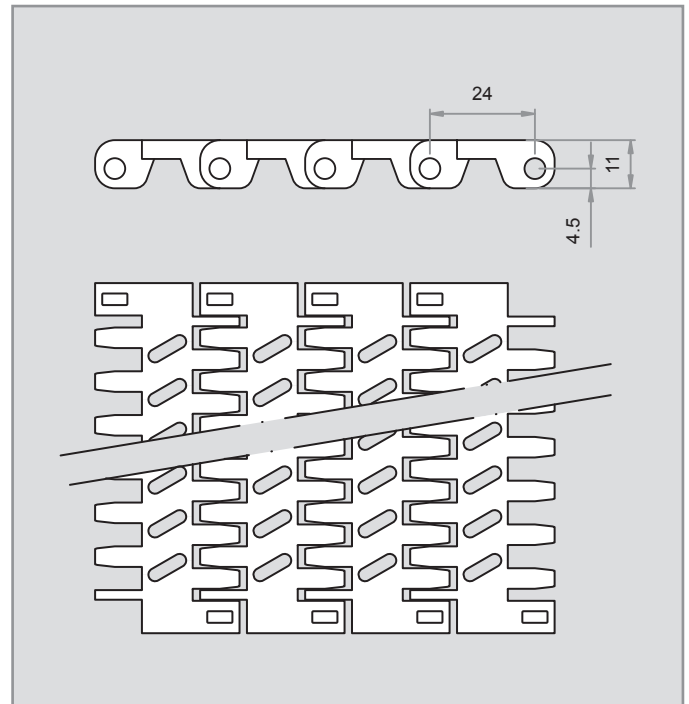
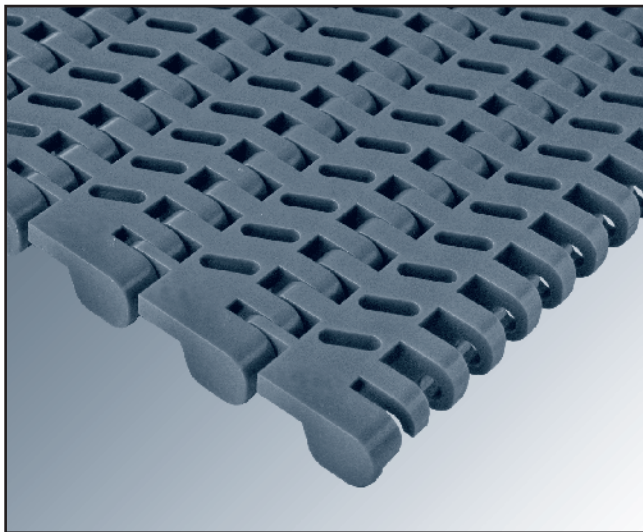


Pitch	24 mm
Surface	Flat Top
Open area	0 %
Thickness	11 mm
Drive system	Central
Belt width	Multiples of 10 mm
Rod diameter	Ø 4.6 mm
Retention system	Cap

Material of the belt	Material of the rod	Belt strength (kg/m)	Temperature range (°C)	Belt weight (kg/m ²)	Available colours in stock
PP - Polypropylene	PP - Polypropylene	1,283	+1 to +104	5.80	[W] - [G] - [B]
PE - Polyethylene	PE - Polyethylene	350	-50 to +65	5.96	[N] - [B]
AC - Polyacetal	PP - Polypropylene	2,000	+1 to +90	8.37	[N] - [B]
	PE - Polyethylene	1,699	-40 to +65	8.41	[N] - [B]

Colours: [W] White - [G] Grey - [B] Blue - [N] Natural - [O] Black. // The materials and colours that are normally in stock are those above indicated. In special cases in which it is needed a belt in a material or colour different from those above mentioned, you should ask directly to EUROBELT.

SERIES A24 FLUSH GRID



Eurobelt Series A24 Flush Grid has oval perforations of 9.5 x 3 mm which endow it with a 30% open area. This conveyor belt is used in applications requiring drainage or airflow, like defrosting or drying.

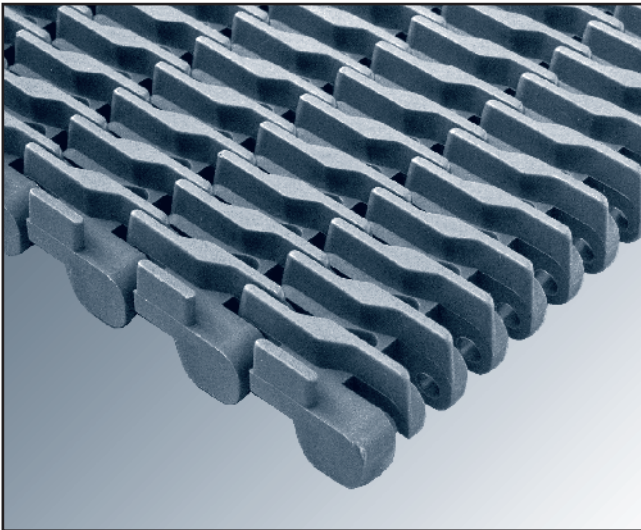


Pitch	24 mm
Surface	Flush Grid
Open area	30 %
Dimensions of openings	[9.5 x 3] mm
Thickness	11 mm
Drive system	Central
Belt width	Multiples of 10 mm
Rod diameter	Ø 4.6 mm
Retention system	Cap

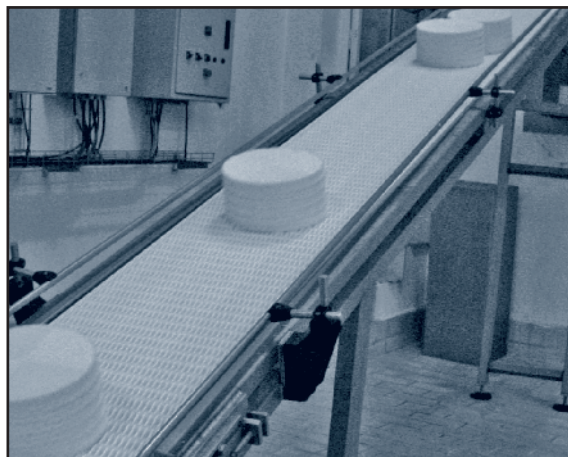
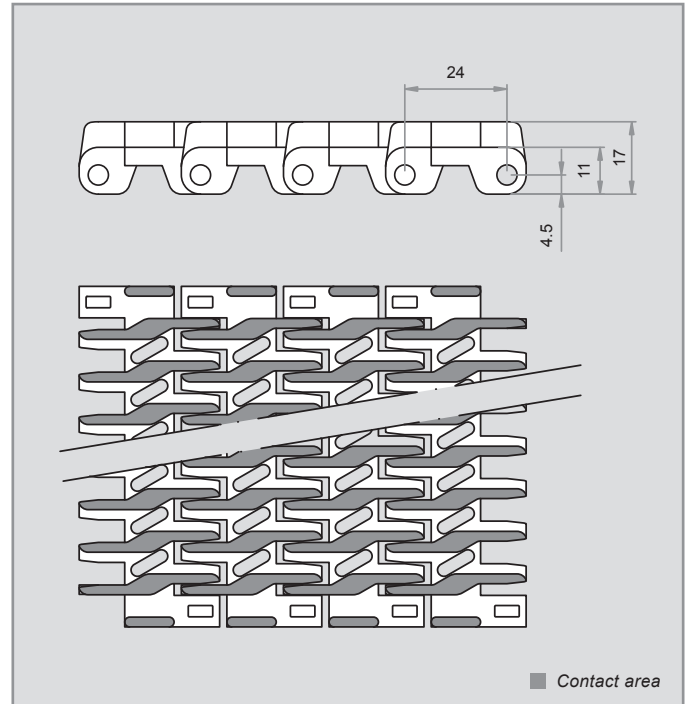
Material of the belt	Material of the rod	Belt strength (kg/m)	Temperature range (°C)	Belt weight (kg/m ²)	Available colours in stock
PP - Polypropylene	PP - Polypropylene	753	+1 to +104	4.90	[W] - [G] - [B]
PE - Polyethylene	PE - Polyethylene	260	-50 to +65	5.12	[N] - [B]
AC - Polyacetal	PP - Polypropylene	1,850	+1 to +90	7.10	[N] - [B]
	PE - Polyethylene	1,414	-40 to +65	7.14	[N] - [B]

Colours: [W] White - [G] Grey - [B] Blue - [N] Natural - [O] Black. // The materials and colours that are normally in stock are those above indicated. In special cases in which it is needed a belt in a material or colour different from those above mentioned, you should ask directly to EUROBELT.

SERIES A24 RAISED RIB



Eurobelt Series A24 Raised Rib conveyor belt has been designed mainly to be used with finger plates. It has ribs that, sticking out 6 mm above the module, provide a greater resistance as well as a better sliding of the product on the conveyor belt surface.

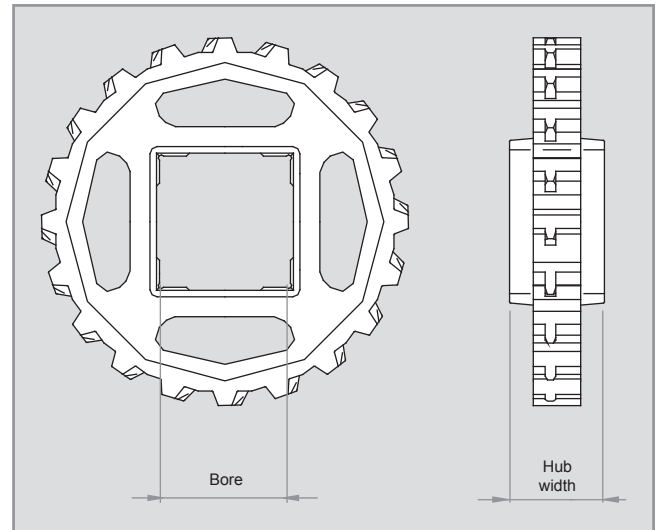
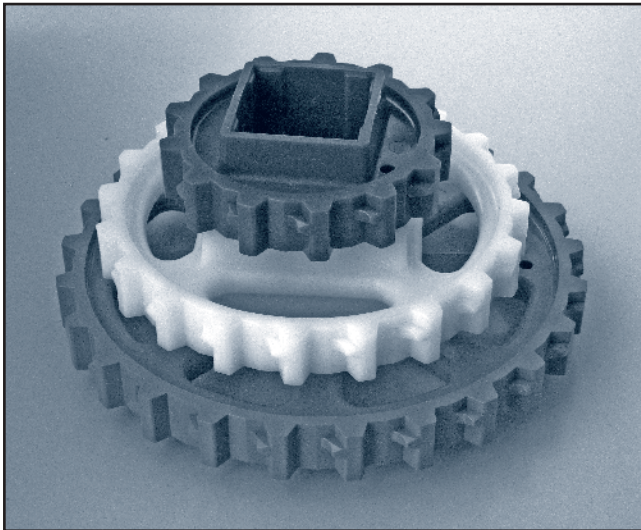


Pitch	24 mm
Surface	Raised Rib
Open area	30 %
Contact area	30 %
Maximum opening (approx.)	[9.5 x 3] mm
Thickness	17 mm
Drive system	Central
Belt width	Multiples of 10 mm
Rod diameter	Ø 4.6 mm
Retention system	Cap

Material of the belt	Material of the rod	Belt strength (kg/m)	Temperature range (°C)	Belt weight (kg/m ²)	Available colours in stock
PP - Polypropylene	PP - Polypropylene	950	+1 to +104	6.45	[G]
AC - Polyacetal	PP - Polypropylene	1,850	+1 to +90	9.90	[B]
	PE - Polyethylene	1,700	-40 to +65	9.94	[B]

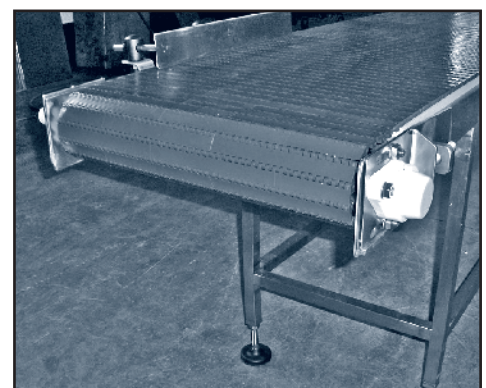
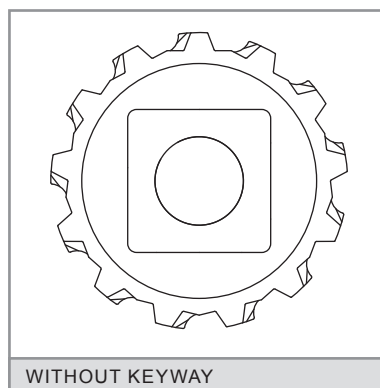
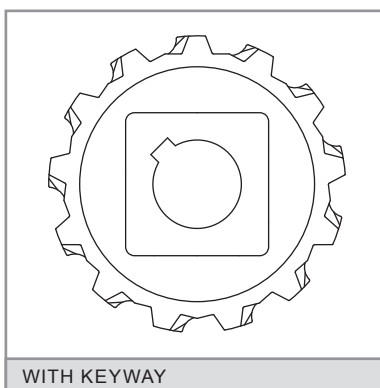
Colours: [W] White - [G] Grey - [B] Blue - [N] Natural - [O] Black. // The materials and colours that are normally in stock are those above indicated. In special cases in which it is needed a belt in a material or colour different from those above mentioned, you should ask directly to EUROBELT.

ACCESSORIES [SPROCKETS]



N° of teeth T	Ø Pitch	Bore for square shaft		Hub width	Materials
		mm	inch		
7	55.31	20	-	20	Polypropylene
13	100.25	40	1.5"	40	
20	153.41	40 60	1.5"	40	
25	191.48	40	1.5"	40	Stainless steel
		60			
		90			

SPROCKETS FOR SQUARE SHAFT



We have plastic sprockets for round shaft with and without keyway. We also have sprockets to be used with motor drum in applications needing a special cleaning or in conveyors in which it is not possible to place the motor in the outside due to problems of space or safety.

ACCESSORIES [RETAINING RINGS]

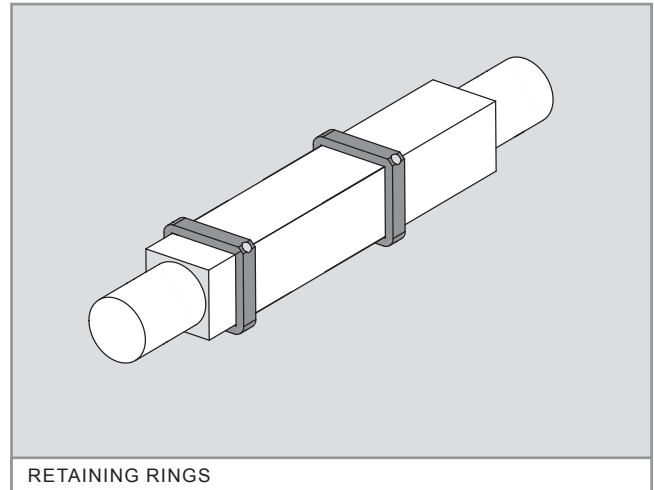
INSTALLATION

These rings are placed at every side of the central sprocket to fasten it to the shaft in order to avoid any lateral movements of the belt.

They are manufactured in AISI 316 stainless steel and they are fixed by means of a set screw stuffed in the ring itself.

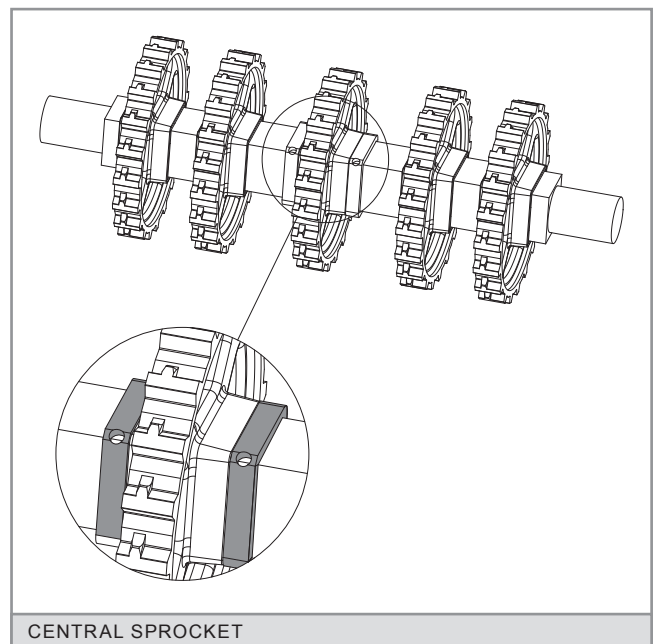
One sprocket, duly fixed with 2 retaining rings, should be put in the centre. Then you should place the same quantity of sprockets at every side of the central one but without any fixing, as they will absorb the possible belt expansions and contractions.

The same procedure should be carried out in both shafts.



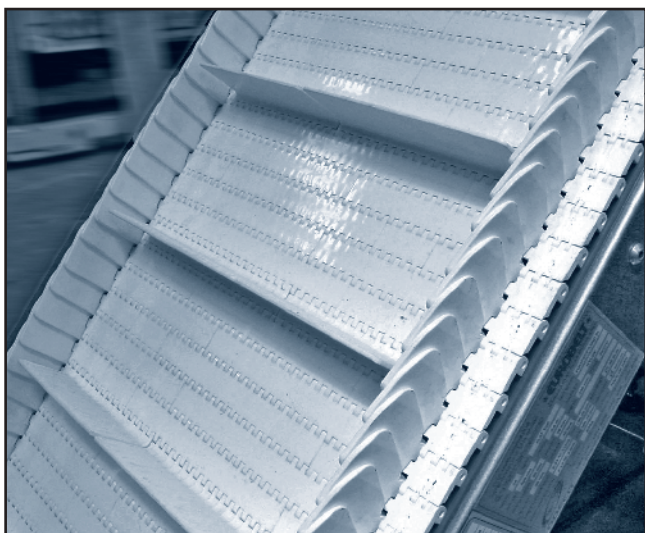
RETAINING RINGS

Bore for square shaft	Screws
20	M 5 x 5
40	M 6 x 6
60	M 6 x 6
90	M 6 x 6



CENTRAL SPROCKET

ACCESSORIES [FLIGHTS AND SIDE GUARDS]



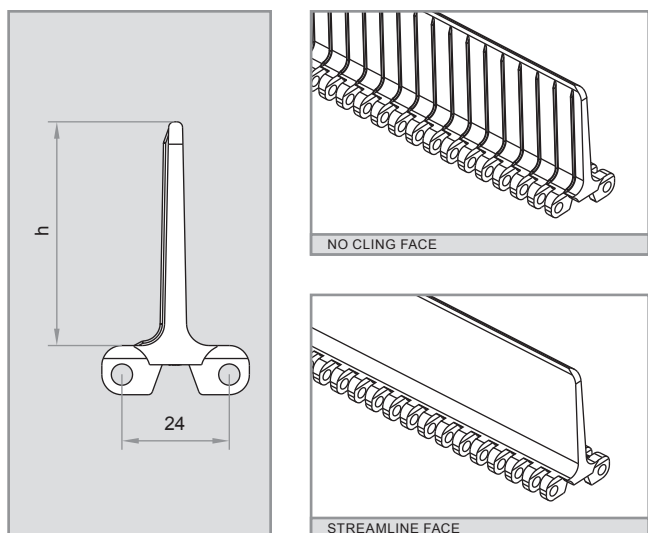
The **flights** are plastic accessories to be inserted across the belt. They are used to push the product in ascent, descent or accompaniment applications, avoiding that it slips along the belt.

Its non-stick side has ribs that project over the surface to prevent the product from sticking.

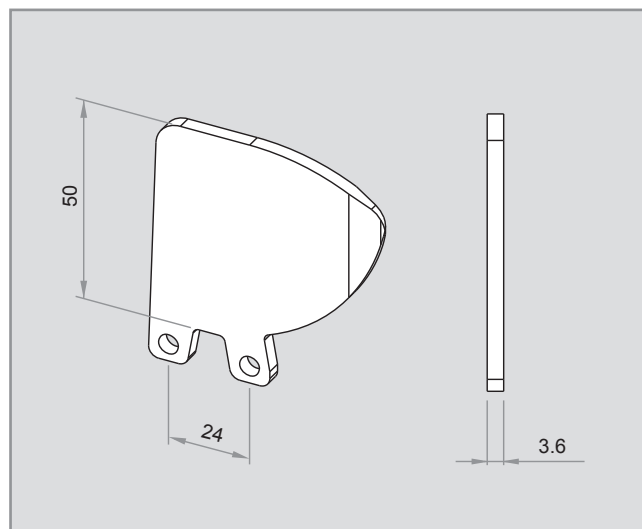
Their edges are completely rounded to avoid any damage of the product.

The **side guards** are plastic accessories to be inserted into the belt structure to retain the product laterally, avoiding overflows and frictions with the conveyor structure itself.

STRAIGHT FLIGHT [STREAMLINE + NO CLING]



SIDE GUARDS



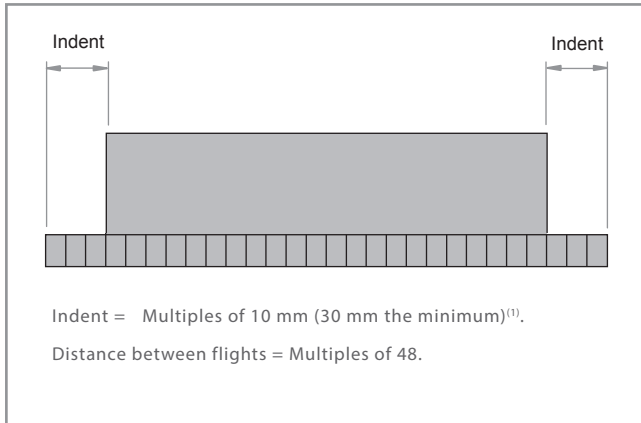
Accessories	Height (h)	Materials
Straight flight	25	Polypropylene
	50	Polyethylene
		Polyacetal

Accessories	Height (h)	Materials
Side guards	50	Polypropylene Polyethylene Polyacetal

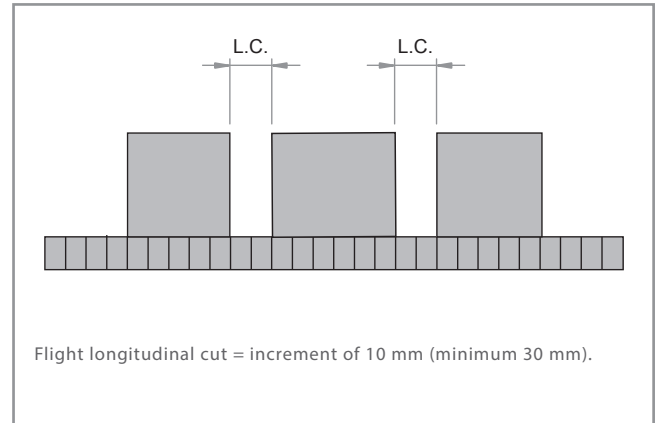
It is possible to cut down the standard height for special applications.

TECHNICAL DATA [FLIGHTS AND SIDE GUARDS]

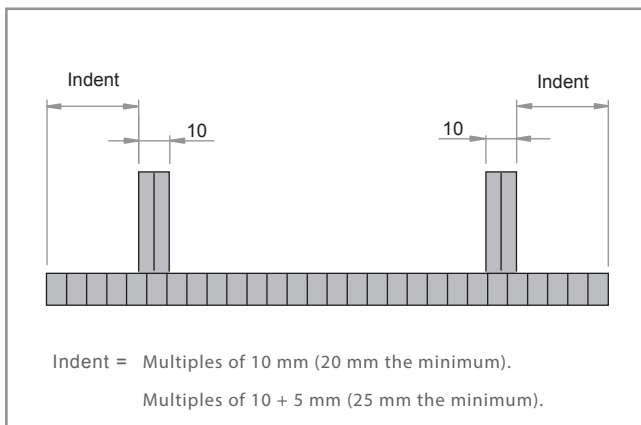
BELT ONLY WITH FLIGHTS



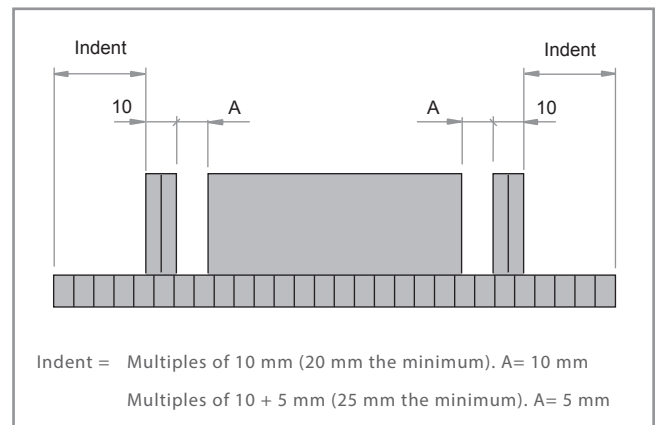
BELT WITH LONGITUDINAL CUTS



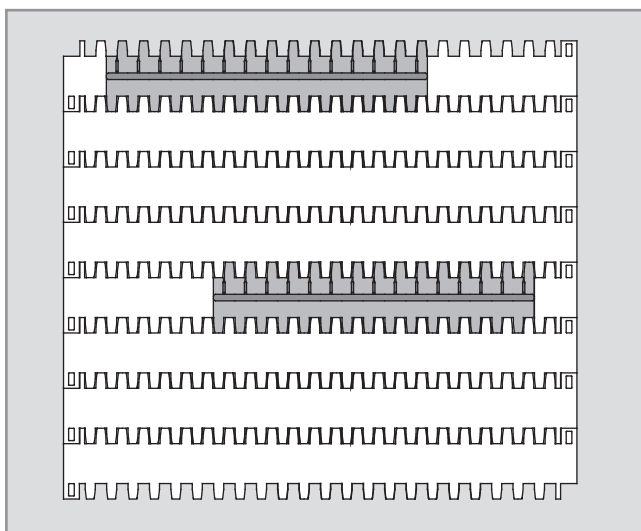
BELT ONLY WITH SIDE GUARDS



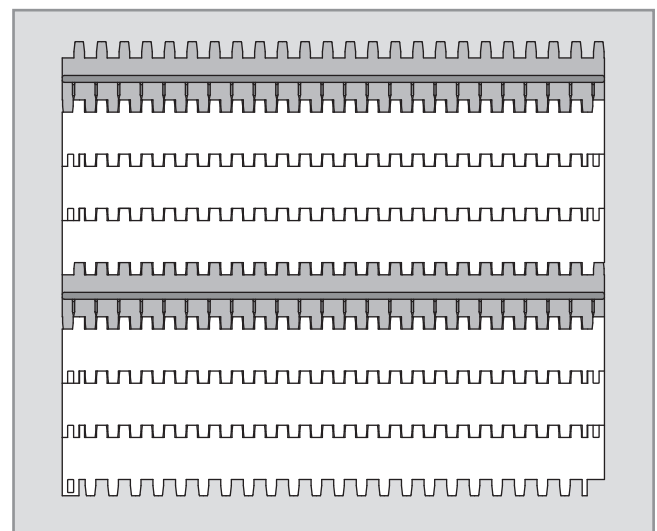
BELT WITH FLIGHTS AND SIDE GUARDS



BELT WITH ZIGZAG FLIGHTS

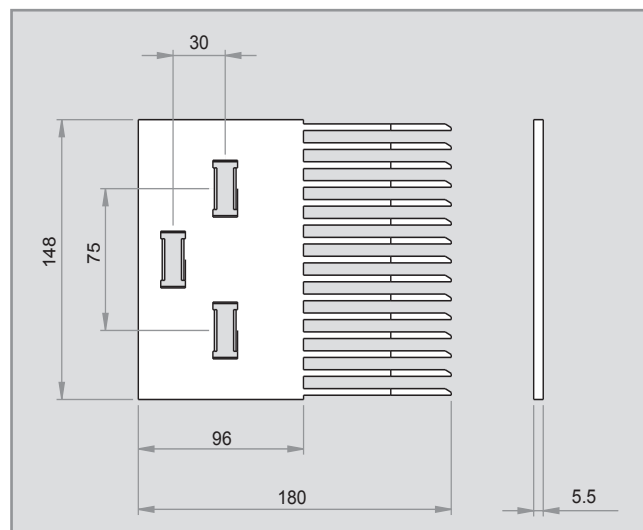
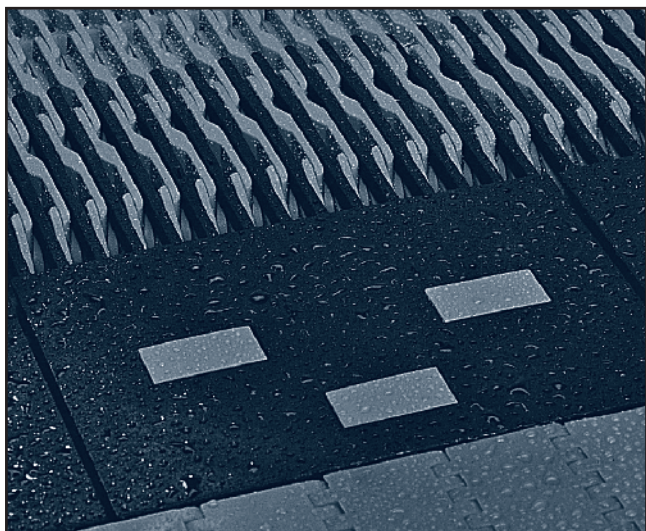


BELT WITH FLIGHTS, WITHOUT INDENT



⁽¹⁾ Ask for the possibility of shaping your belt with a smaller indent than that recommended.

ACCESSORIES [FINGER PLATES]



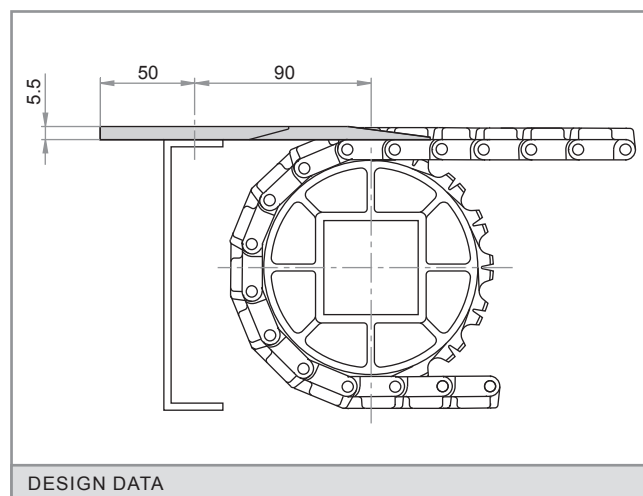
They have been designed to be used with the Raised Rib belts in applications in which it is necessary to transfer the product by means finger plates.

The finger plates are manufactured in nylon and acetal. They have 15 teeth that hide among the projecting ribs of the belt, allowing the constant flow of product as the belt is engaged. They avoid the use of conventional dead plates and consequently the problems by stumbling and fall of the product.

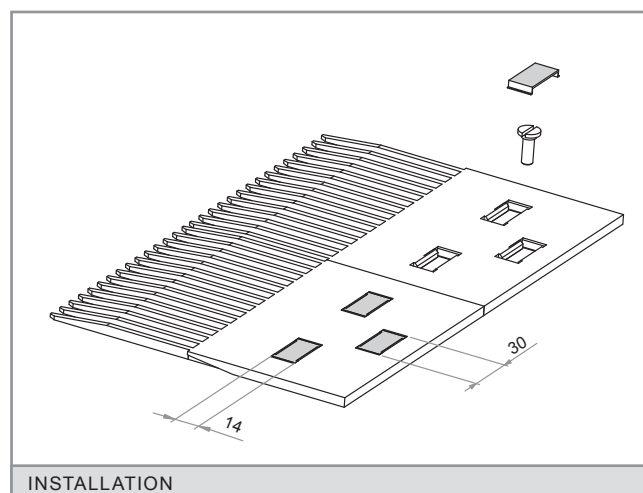
They have three fastening holes that enable little displacements to achieve a better coupling with the belt.

Those holes are located so that they reduce to the minimum the vibrations owing to the turn of the belt over the sprockets.

The finger plates can be easily installed in the structure of the conveyor putting a screw in each hole. The dimensions of these screws are: M 6 x 19 mm.



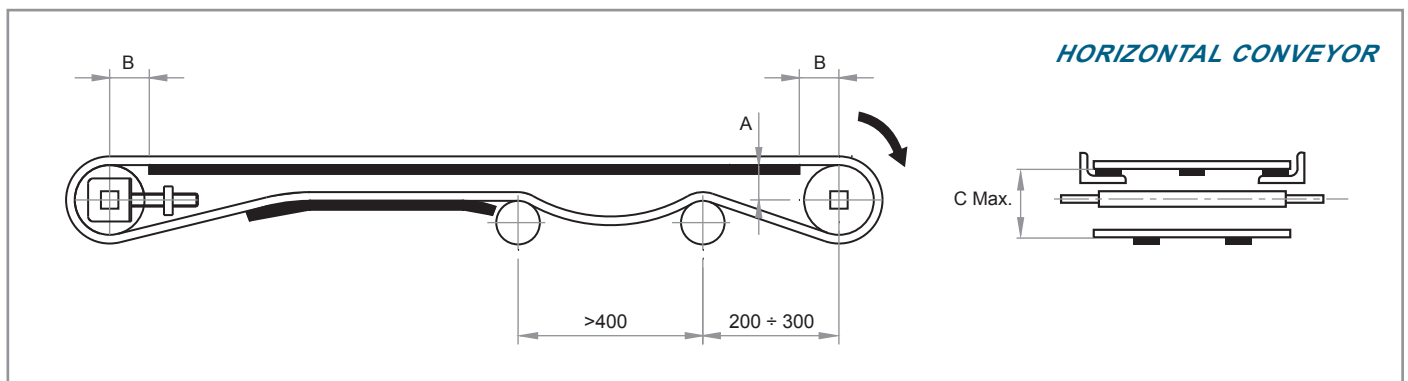
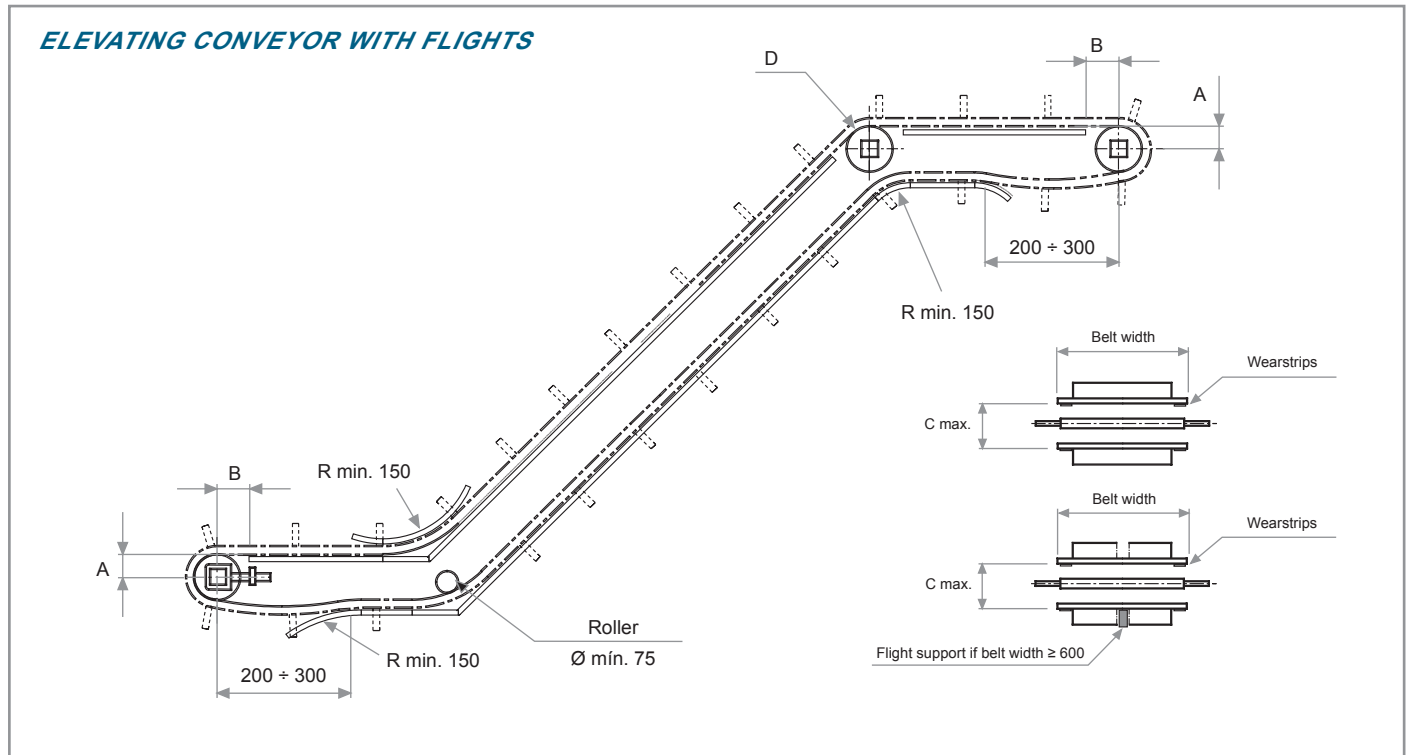
DESIGN DATA



INSTALLATION

Materials / Colours	N° of teeth	N° of holes
Nylon / Black	15	3
Polyacetal / Grey		

CONSTRUCTION DATA [CONVEYOR]



[A] Distance between the sliding surface of the belt and the centre of the shaft.

[B] Distance between the vertical of the shaft and the beginning of the sliding surface.

[C] Distance between the sliding surface of the belt and the support of the return way.

[D] If sprockets are used in the inflexion shaft, do not retain the central one.

[R] This radius must be as big as allowed by the application in order to minimize the wear (min. 150 mm). For belts with side guards, consult about this radius.

In the construction of conveyors, the distances appearing in the chart below must be respected according to the belt Series and the size of the sprockets.

N° of teeth T	Ø Pitch	A	B max.	C max.
7	55.31	22	25	55
13	100.25	46	40	100
20	153.41	72	50	155
25	191.48	91	60	195

TABLE OF SPROCKETS AND WEARSTRIPS

Belt nominal width (mm)		Minimum quantity of sprockets per shaft	Minimum quantity of wearstrips	
			Transport way	Return way
40	100	1	2	2
110	300	3	2	2
310	500	5	4	3
510	700	7	6	4
710	900	9	8	5
910	1,100	11	10	6
1,110	1,300	13	12	7
1,310	1,500	15	14	8
1,510	1,700	17	16	9
1,710	1,900	19	18	11
1,910	2,100	21	20	12
2,110	2,300	23	22	13
2,310	2,500	25	24	14
2,510	2,700	27	26	15

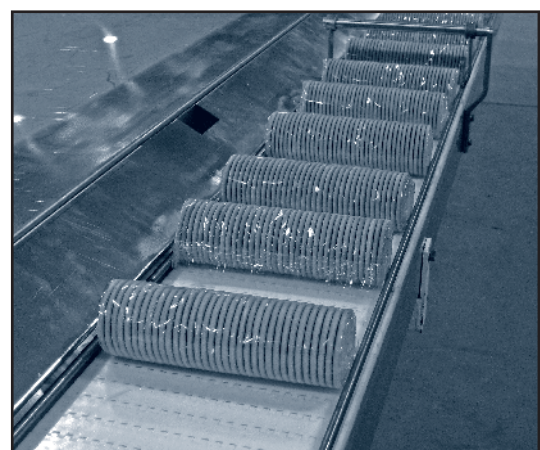
To calculate the necessary minimum quantity of sprockets for the drive shaft as well as for the idle one, the next formula has been used:

$$\text{Minimum quantity} = \frac{\text{Belt width (mm)}}{100 \text{ mm}}$$

This amount must always be odd.

To calculate the quantity of supports, the weight of the product to be transported must be taken into account.

The distance between supports should not exceed 150 mm in the transport way or 300 mm in the return way.



SERIES E30



FLUSH GRID

FLAT TOP

OPEN GRID

PERFORATED FLAT TOP

TRIANGULAR FRICTION

FLAT FRICTION

SLIDING ROLLERS

FLUSH GRID

FLAT TOP

OPEN GRID

PERFORATED FLAT TOP

TRIANGULAR FRICTION

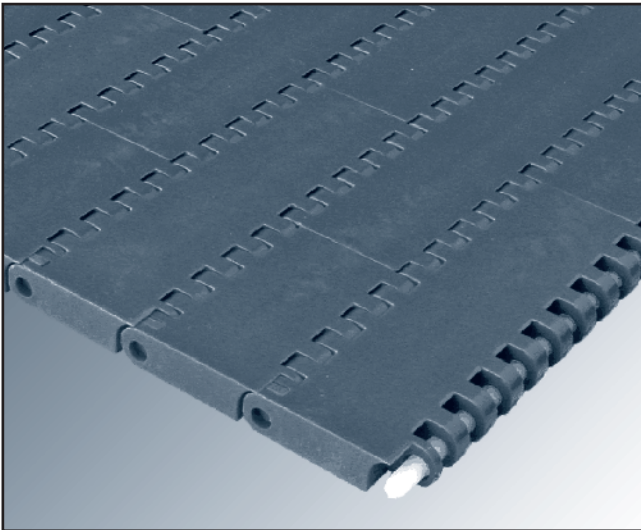
FLAT FRICTION

SLIDING ROLLERS

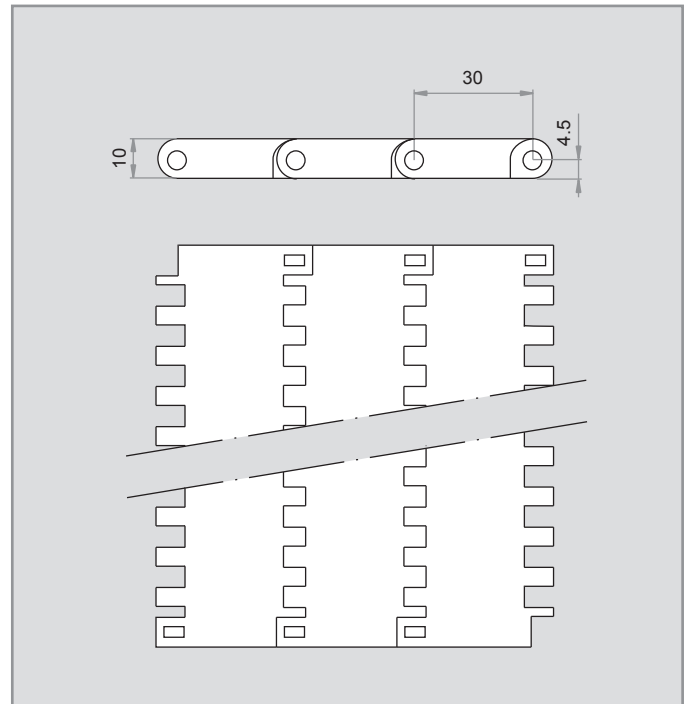


SERIES E30

SERIES E30 FLAT TOP



Eurobelt Series E30 Flat Top, thanks to its closed surface, is the suitable conveyor belt for those applications in which it is not necessary any drainage through the belt and/or the product to be conveyed is small. Completely smooth surface to avoid product overturns and the resulting blockage of the line.

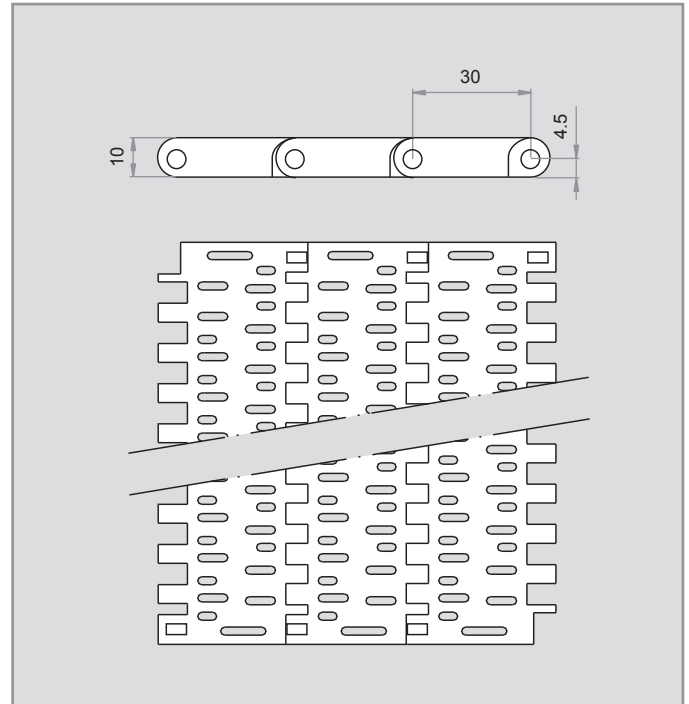
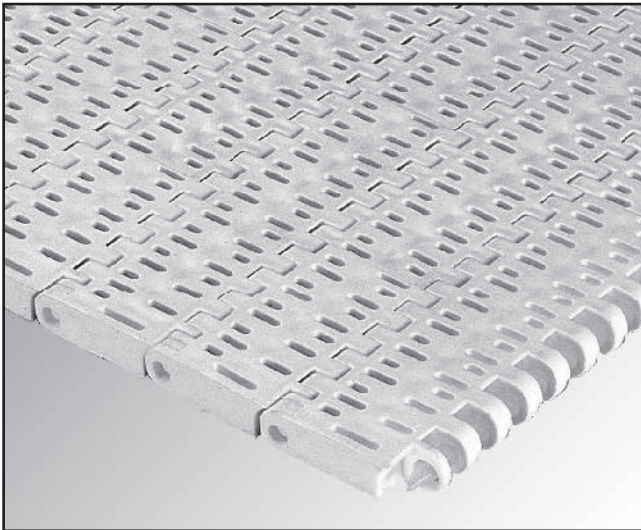


Pitch	30 mm
Surface	Flat Top
Open area	0 %
Thickness	10 mm
Drive system	Central
Belt width	Multiples of 10 mm
Rod diameter	Ø 4.6 mm
Retention system	Cap

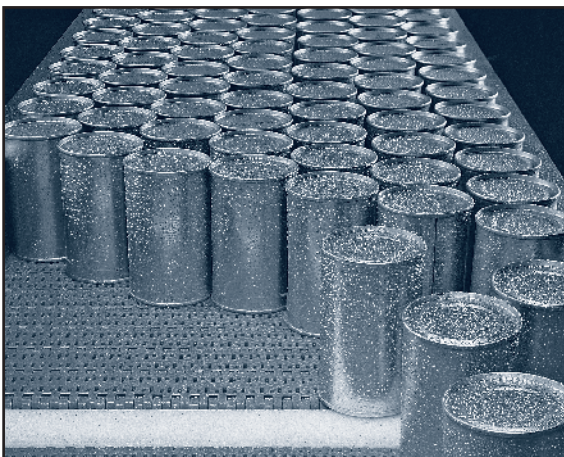
Material of the belt	Material of the rod	Belt strength (kg/m)	Temperature range (°C)	Belt weight (kg/m ²)	Available colours in stock
PP - Polypropylene	PP - Polypropylene	1,100	+1 to +104	5.31	[W] - [G] - [B]
PE - Polyethylene	PE - Polyethylene	600	-50 to +65	5.62	[N]
AC - Polyacetal	PP - Polypropylene	2,250	+1 to +90	7.93	[B]
	PE - Polyethylene	1,920	-40 to +65	7.96	[B]

Colours: [W] White - [G] Grey - [B] Blue - [N] Natural - [O] Black. // The materials and colours that are normally in stock are those above indicated. In special cases in which it is needed a belt in a material or colour different from those above mentioned, you should ask directly to EUROBELT.

SERIES E30 PERFORATED FLAT TOP



Eurobelt Series E30 Perforated Flat Top has a 17% open area, a completely smooth surface, and grille-shaped small straight holes without structural obstacles. This is the suitable conveyor belt for those applications in which drainage through the belt is desired and the product to be conveyed is small.

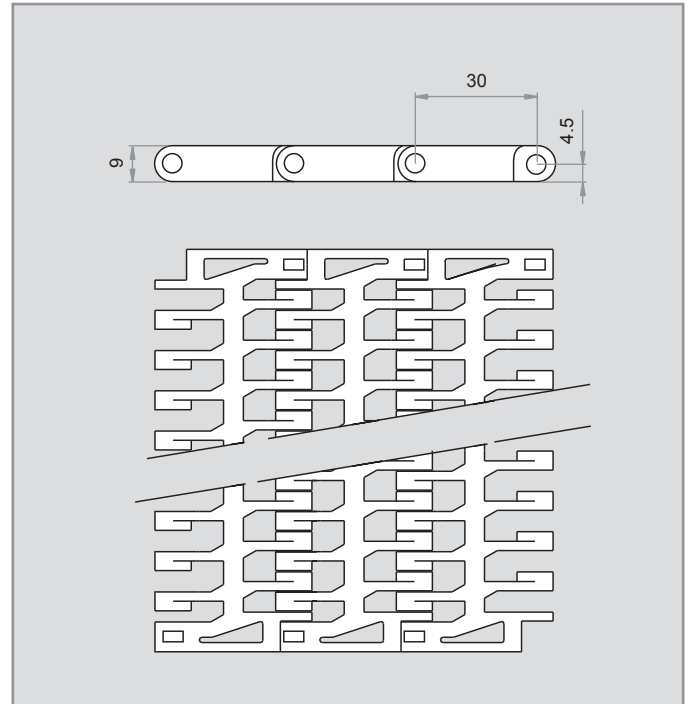
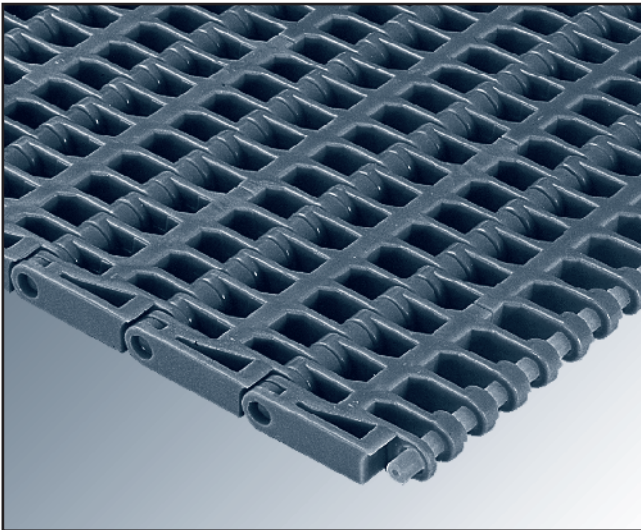


Pitch	30 mm
Surface	Perforated FlatTop
Open area	17 %
Dimensions of openings	[8 x 2] - [5 x 2] mm
Thickness	10 mm
Drive system	Central
Belt width	Multiples of 10 mm
Rod diameter	Ø 4.6 mm
Retention system	Cap

Material of the belt	Material of the rod	Belt strength (kg/m)	Temperature range (°C)	Belt weight (kg/m ²)	Available colours in stock
PP - Polypropylene	PP - Polypropylene	1,000	+1 to +104	5.01	[W] - [G]
PE - Polyethylene	PE - Polyethylene	600	-50 to +65	5.20	[N]
AC - Polyacetal	PP - Polypropylene	2,250	+1 to +90	7.33	[B]
	PE - Polyethylene	1,920	-40 to +65	7.36	[B]

Colours: [W] White - [G] Grey - [B] Blue - [N] Natural - [O] Black. // The materials and colours that are normally in stock are those above indicated. In special cases in which it is needed a belt in a material or colour different from those above mentioned, you should ask directly to EUROBELT.

SERIES E30 FLUSH GRID



Eurobelt Series E30 Flush Grid has a grille-shaped configuration with a 41% open area and a completely smooth surface. This conveyor belt is ideal for applications in which drainage through the belt is needed, avoiding accumulation of any particle on its surface.

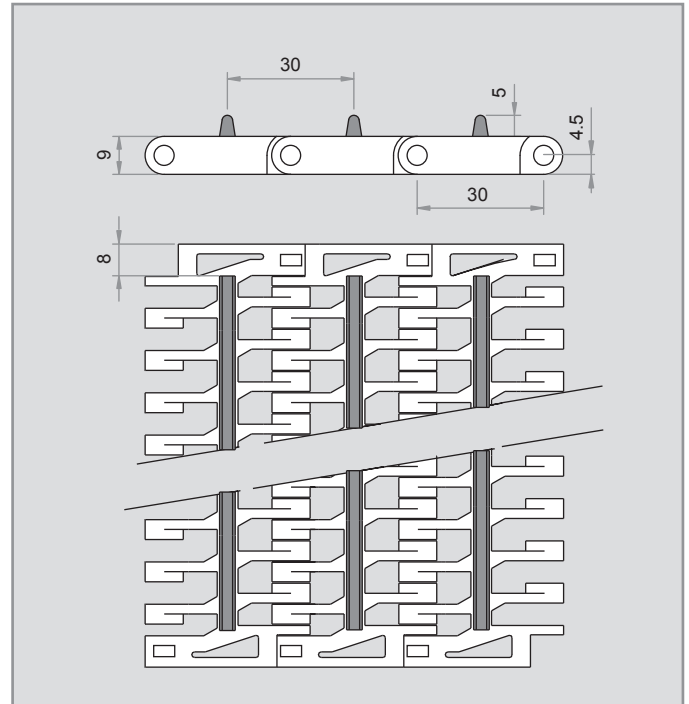
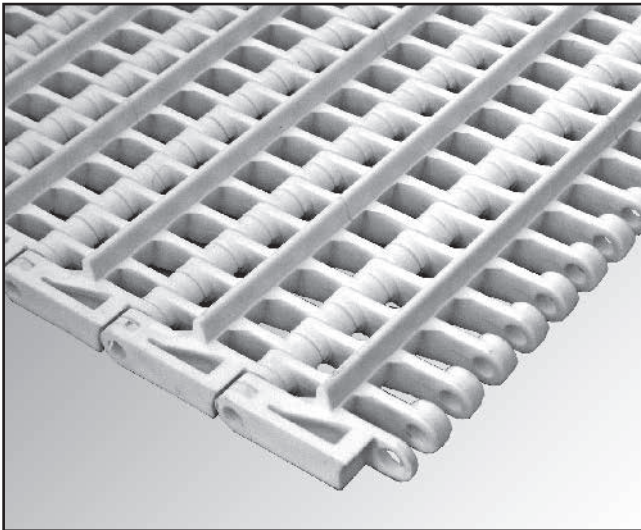


Pitch	30 mm
Surface	Flush Grid
Open area	41 %
Maximum opening (approx.)	[8 X 7.7] mm
Thickness	9 mm
Drive system	Central
Belt width	Multiples of 10 mm
Rod diameter	Ø 4.6 mm
Retention system	Cap

Material of the belt	Material of the rod	Belt strength (kg/m)	Temperature range (°C)	Belt weight (kg/m ²)	Available colours in stock
PP - Polypropylene	PP - Polypropylene	1,100	+1 to +104	3.71	[W] - [G]
PE - Polyethylene	PE - Polyethylene	600	-50 to +65	4.00	[N] - [B]
AC - Polyacetal	PP - Polypropylene	2,250	+1 to +90	5.60	[B]
	PE - Polyethylene	1,920	-40 to +65	5.63	[B]

Colours: [W] White - [G] Grey - [B] Blue - [N] Natural - [O] Black. // The materials and colours that are normally in stock are those above indicated. In special cases in which it is needed a belt in a material or colour different from those above mentioned, you should ask directly to EUROBELT.

SERIES E30 OPEN GRID



Eurobelt Series E30 Open Grid conveyor belt is used in product-in-bulk processes in inclined planes whenever the use of conventional flights is not possible.

Their mini-flights reduce the contact surface between product and belt, decreasing the adherence in processes like fish glazing and conveyance of frozen fish.

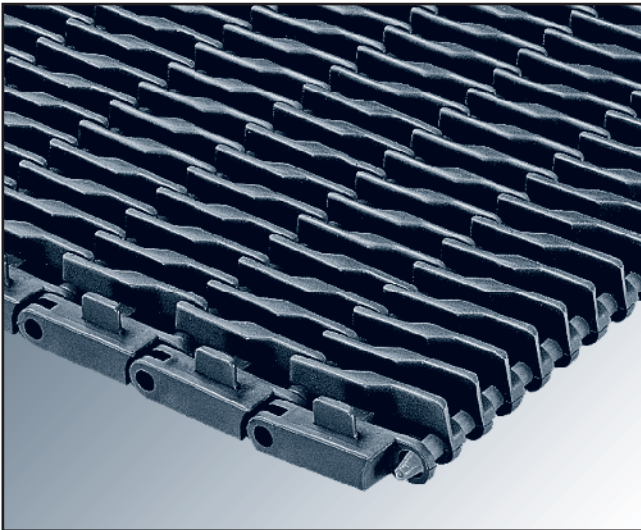


Pitch	30 mm
Surface	Open Grid
Open area	41 %
Maximum opening (approx.)	[8 X 7.7] mm
Thickness	9 mm
Drive system	Central
Belt width	Multiples of 10 mm
Rod diameter	Ø 4.6 mm
Retention system	Cap

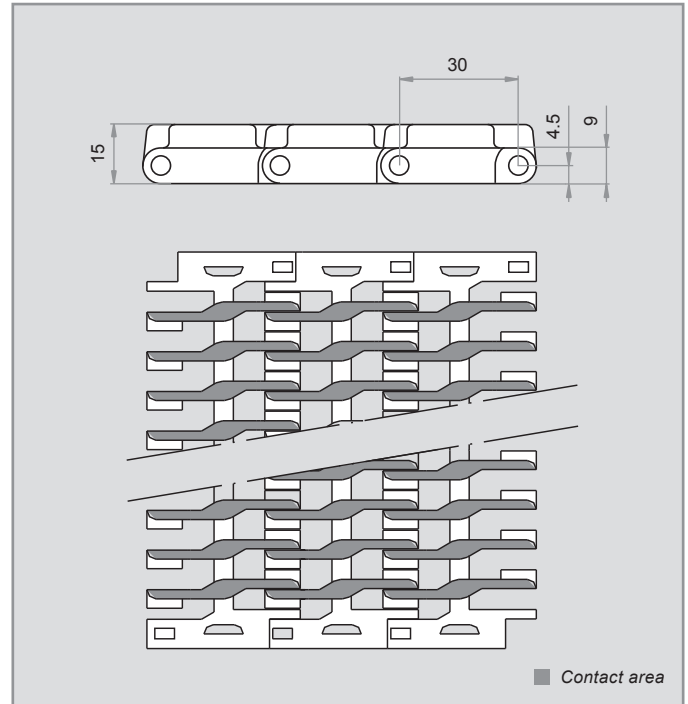
Material of the belt	Material of the rod	Belt strength (kg/m)	Temperature range (°C)	Belt weight (kg/m ²)	Available colours in stock
PP - Polypropylene	PP - Polypropylene	1,100	+1 to +104	3.93	[W]
PE - Polyethylene	PE - Polyethylene	600	-50 to +65	4.24	[N]
AC - Polyacetal	PP - Polypropylene	2,250	+1 to +90	5.88	[B]
	PE - Polyethylene	1,920	-40 to +65	5.91	[B]

Colours: [W] White - [G] Grey - [B] Blue - [N] Natural - [O] Black. // The materials and colours that are normally in stock are those above indicated. In special cases in which it is needed a belt in a material or colour different from those above mentioned, you should ask directly to EUROBELT.

SERIES E30 RAIDES RIB



Eurobelt Series E30 Raised Rib conveyor belt has been designed mainly for making product transfers by using finger plates. Due to its smooth surface of projecting ribs, it is recommended for processes involving accumulation of containers of uncertain stability.

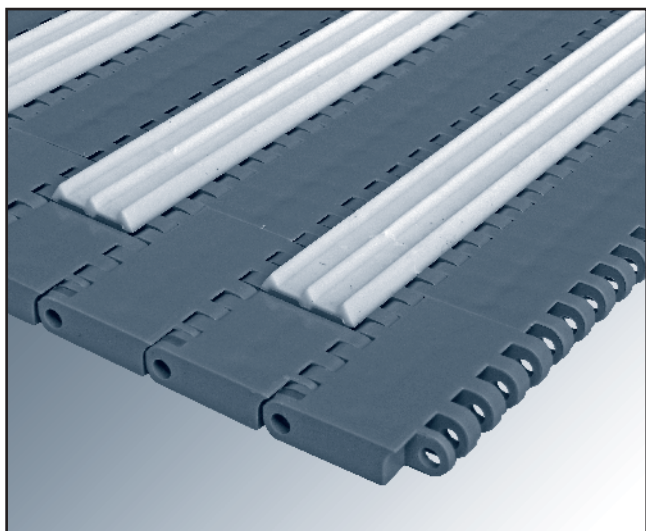


Pitch	30 mm
Surface	Raised Rib
Open area	41 %
Contact area	29 %
Maximum opening (approx.)	[8 X 7.7] mm
Thickness	15 mm
Drive system	Central
Belt width	Multiples of 10 mm
Rod diameter	Ø 4.6 mm
Retention system	Cap

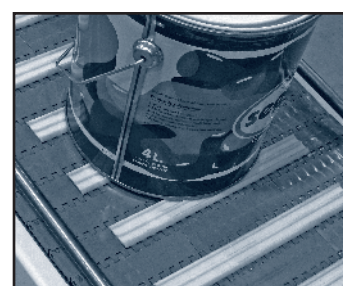
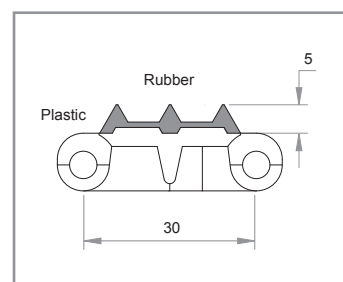
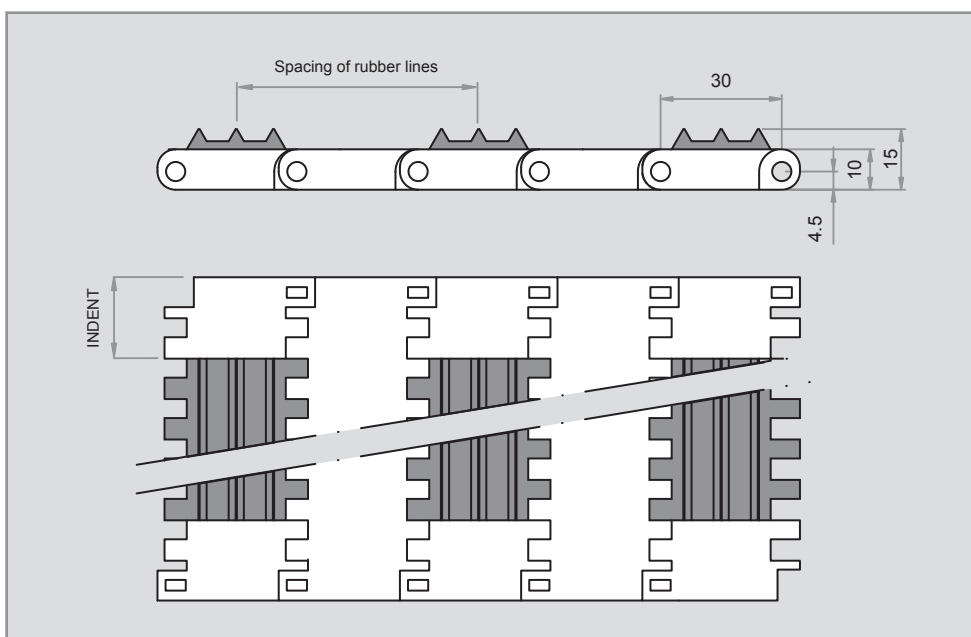
Material of the belt	Material of the rod	Belt strength (kg/m)	Temperature range (°C)	Belt weight (kg/m ²)	Available colours in stock
PP - Polypropylene	PP - Polypropylene	1,100	+1 to +104	5,44	[G]
AC - Polyacetal	PP - Polypropylene	2,250	+1 to +90	8,30	[B]
	PE - Polyethylene	1,920	-40 to +65	8,33	[B]

Colours: [W] White - [G] Grey - [B] Blue - [N] Natural - [O] Black. // The materials and colours that are normally in stock are those above indicated. In special cases in which it is needed a belt in a material or colour different from those above mentioned, you should ask directly to EUROBELT.

SERIES E30 TRIAN FRICTION TOP



Pitch	20 mm
Surface	Trian Friction Top
Drive system	Hinge
Belt width	Multiples of 10 mm
Rod diameter	Ø 4.6 mm
Retention system	Cap
Rubber hardness grades	Shore A35 / A45 / A60
Indent	Multiples of 10 mm, minimum 20 mm
Spacing of rubber lines	Multiples of 30 mm



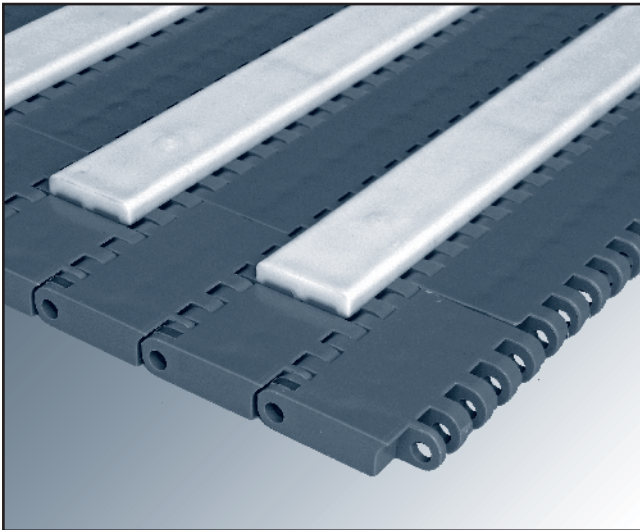
Surface of the belt	Belt standard material	Rubber hardness grades and colour	Rod standard material	Temperature range (°C)	Available colours in stock
Flat Top	PP - Polypropylene	Shore A35 - grey	PP - Polypropylene	+1 to +100	[W]
		Shore A45 - black ⁽¹⁾			[G]
Shore A60 - beige		[W]			
Flush Grid	PE - Polyethylene	Ask for availability regarding the hardness level			

Trian Friction Top, designed with small transversal triangles, like mini flights, enables as well an easy and efficient cleaning.

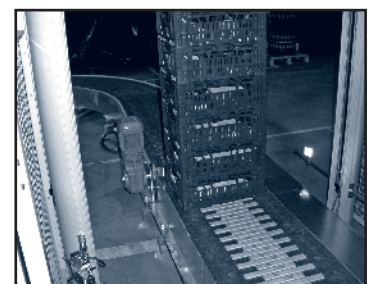
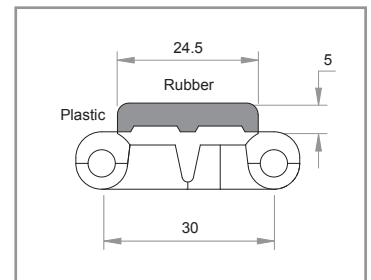
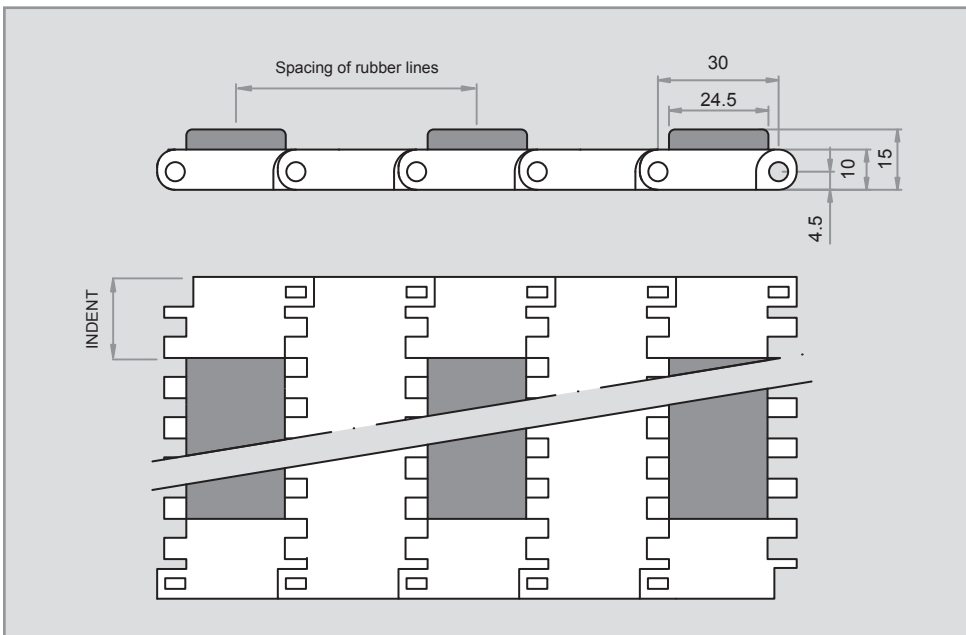
Colours: [W] White - [G] Grey - [B] Blue - [N] Natural - [O] Black. // The materials and colours that are normally in stock are those above indicated. In special cases in which it is needed a belt in a material or colour different from those above mentioned, you should ask directly to EUROBELT.

⁽¹⁾ Unsuitable for direct contact with food.

SERIES E30 FLAT FRICTION



Pitch	20 mm
Surface	Flat Friction
Drive system	Hinge
Belt width	Multiples of 10 mm
Rod diameter	Ø 4.6 mm
Retention system	Cap
Rubber hardness grades	Shore A35 / A45 / A60
Indent	Multiples of 10 mm, minimum 20 mm
Spacing of rubber lines	Multiples of 30 mm



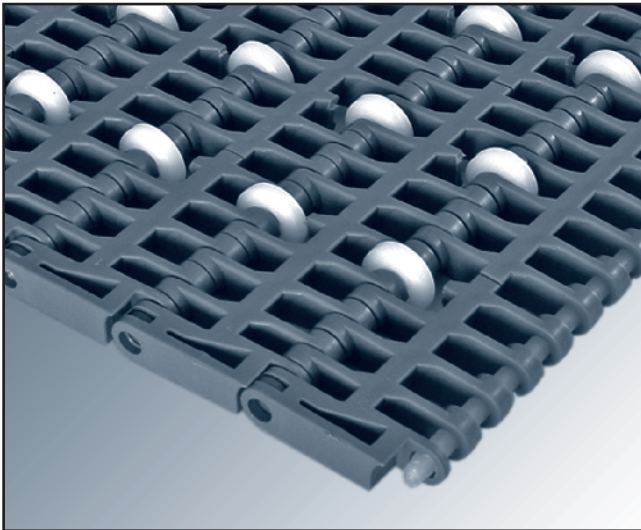
Surface of the belt	Belt standard material	Rubber hardness grades and colour	Rod standard material	Temperature range (°C)	Available colours in stock
Flat Top	PP - Polypropylene	Shore A35 - grey	PP - Polypropylene	+1 to +100	[W]
		Shore A45 - black ⁽¹⁾			[G]
Shore A60 - beige		[W]			
Flush Grid	PE - Polyethylene	Ask for availability regarding the hardness level			

Flat Friction Top, with a flat rubber surface, is perfect for applications in which a maximum adherence is needed.

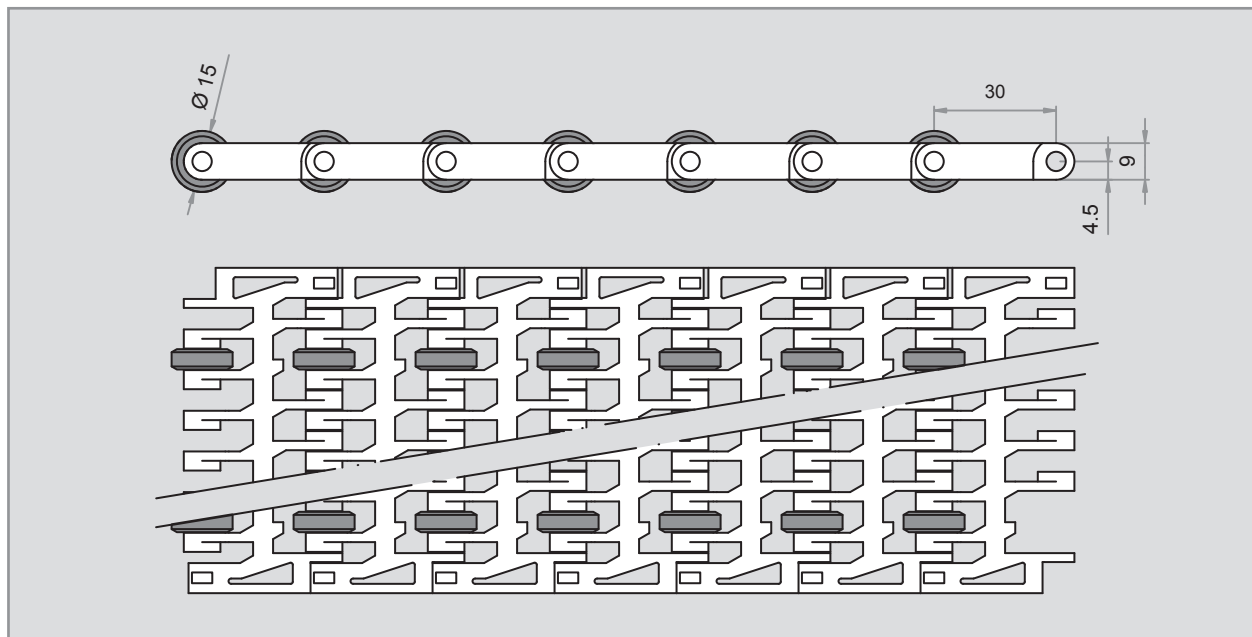
Colours: [W] White - [G] Grey - [B] Blue - [N] Natural - [O] Black. // The materials and colours that are normally in stock are those above indicated. In special cases in which it is needed a belt in a material or colour different from those above mentioned, you should ask directly to EUROBELT.

⁽¹⁾ Unsuitable for direct contact with food.

SERIES E30 SLIDING ROLLERS



Pitch	30 mm
Surface	Sliding Rollers
Drive system	Hinge
Belt width	Multiples of 10 mm
Rod diameter	Ø 4.6 mm
Retention system	Cap
Diameter of small roller	Ø 15 mm
Width of small roller	4.9 mm
Material of small roller	Polyacetal
Sliding Rollers pitch	Multiples of 30 mm

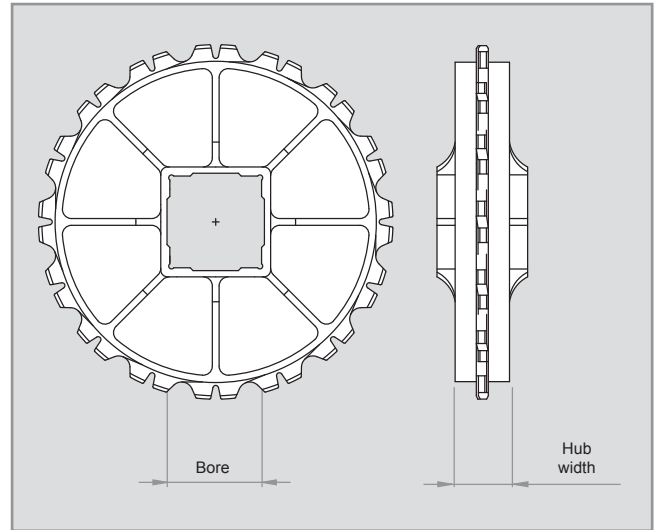
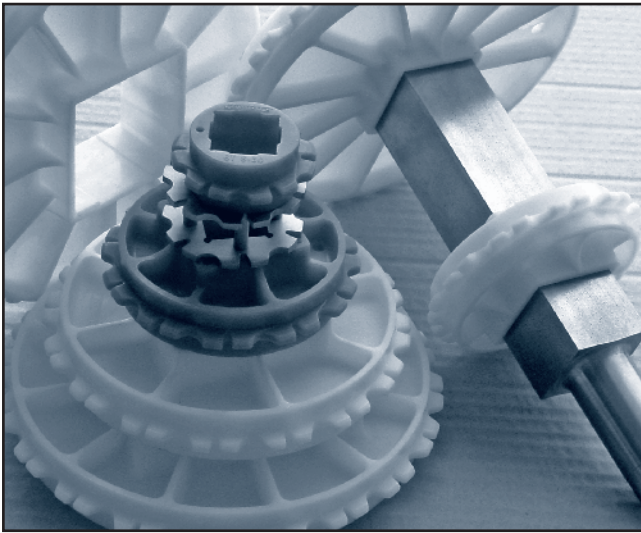


Surface of the belt	Belt standard material	Rod standard material	Belt strength (kg/m)	Temperature range (°C)	Available colours in stock
Flush Grid	PP - Polypropylene	PP - Polypropylene	1,100	+1 to +104	[W] - [G] - [B]
	PE - Polyethylene	PE - Polyethylene	600	-50 to +65	[N]
	AC - Polyacetal	PP - Polypropylene	2,250	+1 to +90	[B]
		PE - Polyethylene	1,920	-40 to +65	[B]

This conveyor belt has been designed mainly to solve problems of conveyance of boxes, containers, etc.

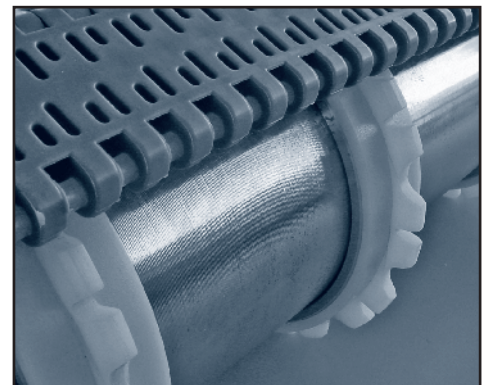
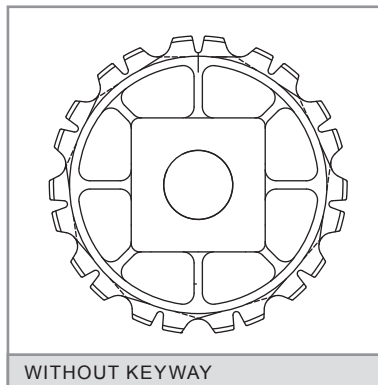
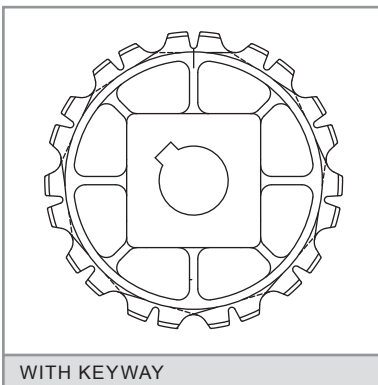
Colours: [W] White - [G] Grey - [B] Blue - [N] Natural - [O] Black. // The materials and colours that are normally in stock are those above indicated. In special cases in which it is needed a belt in a material or colour different from those above mentioned, you should ask directly to EUROBELT.

ACCESSORIES [SPROCKETS]



N° of teeth T	Ø Pitch	Bore for square shaft		Hub width	Materials
		mm	inch		
6	60	25	-	24	Polypropylene Polyacetal Stainless steel
9	87.7	25	1"	24	
		40	1.5"		
11	106.5	40	1.5"	40	
16	153.5	40	1.5"	40	
		60	2.5"		
20	191.5	40	1.5"	40	
		60			
		90			

SPROCKETS FOR SQUARE SHAFT



We have plastic sprockets for round shaft with and without keyway. We also have sprockets to be used with motor drum in applications needing a special cleaning or in conveyors in which it is not possible to place the motor in the outside due to problems of space or safety.

ACCESSORIES [RETAINING RINGS]

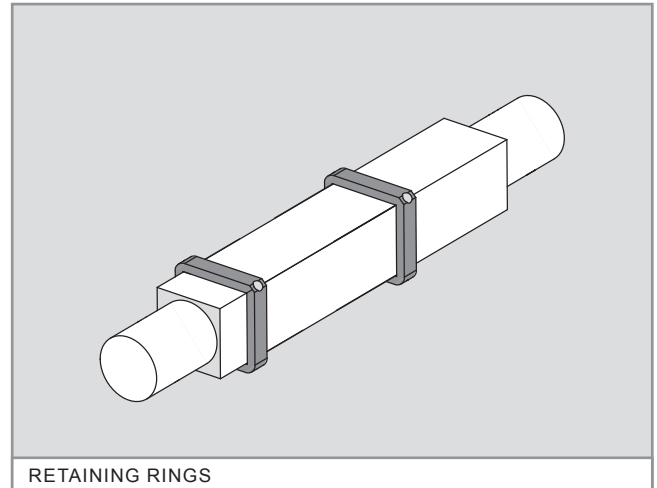
INSTALLATION

These rings are placed at every side of the central sprocket to fasten it to the shaft in order to avoid any lateral movements of the belt.

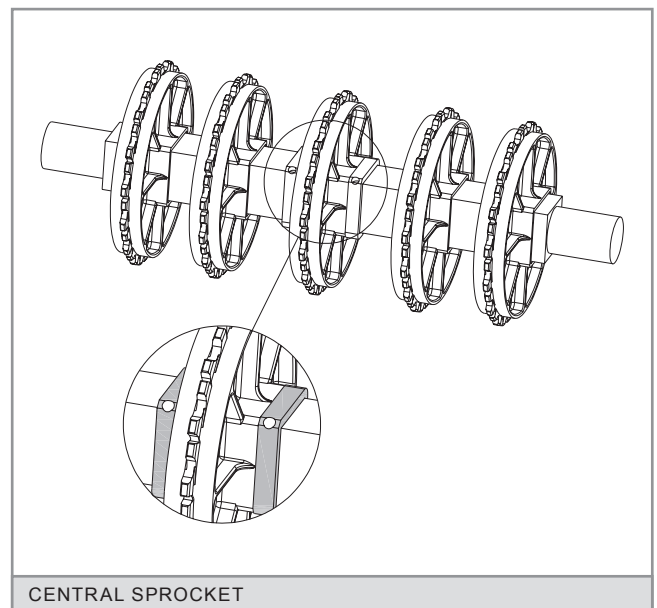
They are manufactured in AISI 316 stainless steel and they are fixed by means of a set screw stuffed in the ring itself.

One sprocket, duly fixed with 2 retaining rings, should be put in the centre. Then you should place the same quantity of sprockets at every side of the central one but without any fixing, as they will absorb the possible belt expansions and contractions.

The same procedure should be carried out in both shafts.



RETAINING RINGS



CENTRAL SPROCKET

Bore for square shaft	Screws
20	M 5 x 5
40	M 6 x 6
60	M 6 x 6
90	M 6 x 6

ACCESSORIES [FLIGHTS AND SIDE GUARDS]



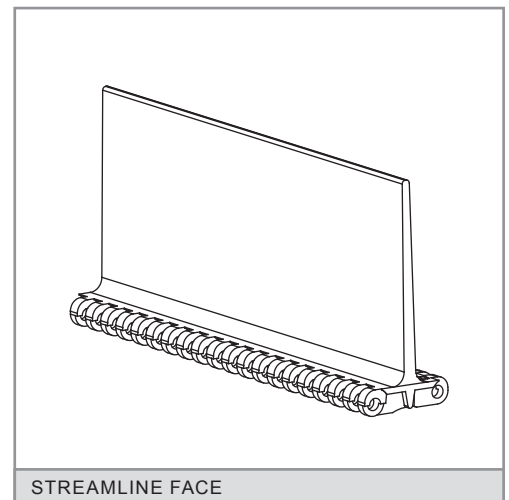
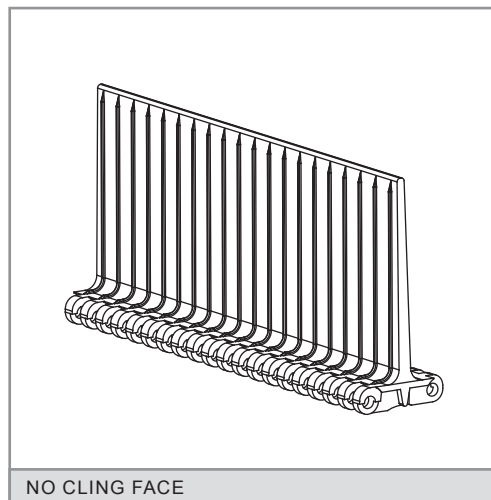
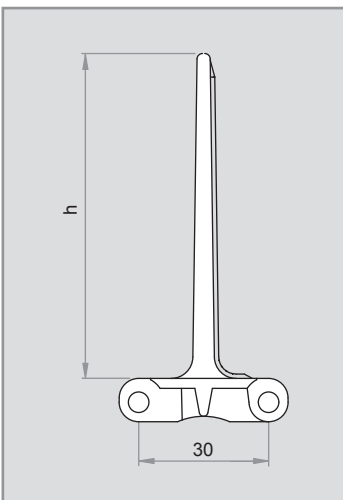
The **flights** are plastic accessories to be inserted across the belt. They are used to push the product in ascent, descent or accompaniment applications, avoiding that it slips along the belt.

Its non-stick side has ribs that project over the surface to prevent the product from sticking.

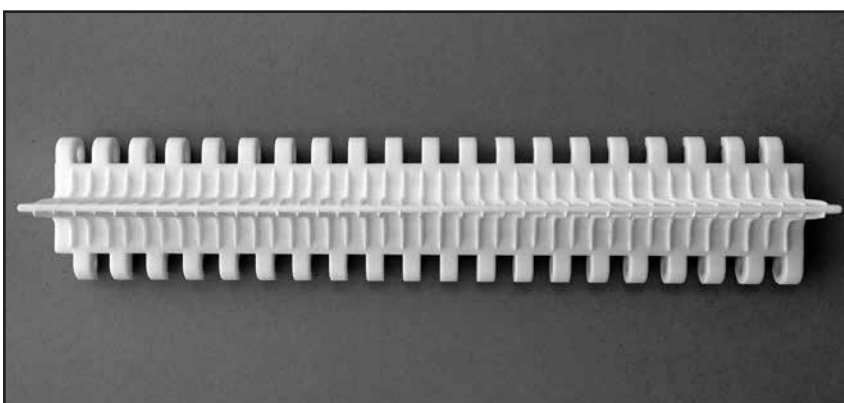
The **side guards** are plastic accessories to be inserted into the belt structure to retain the product laterally, avoiding overflows and frictions with the conveyor structure itself.

It is possible to cut down the standard height for special applications.

STRAIGHT FLIGHT [STREAMLINE + NO CLING]

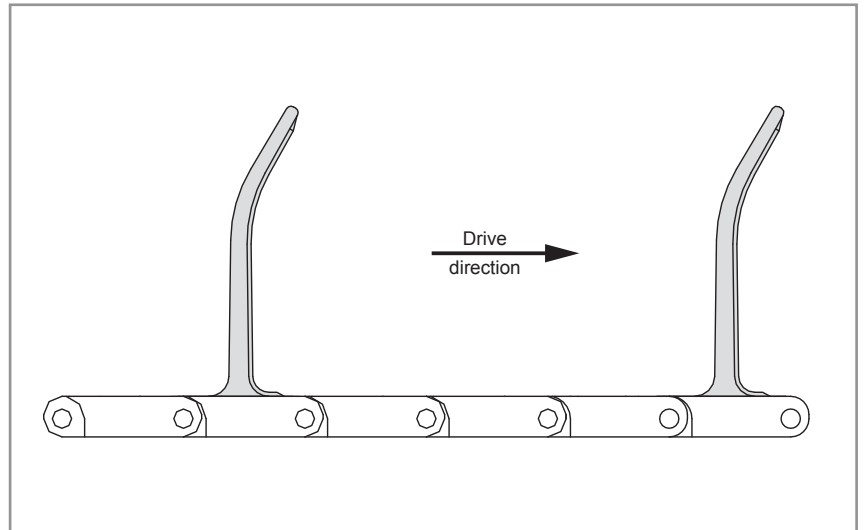
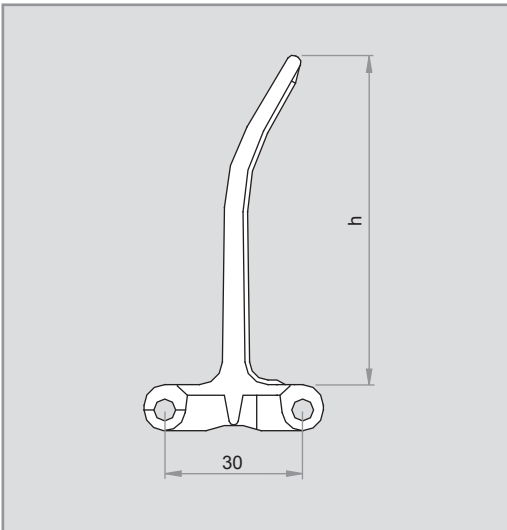


STRAIGHT FLIGHT [NO CLING]



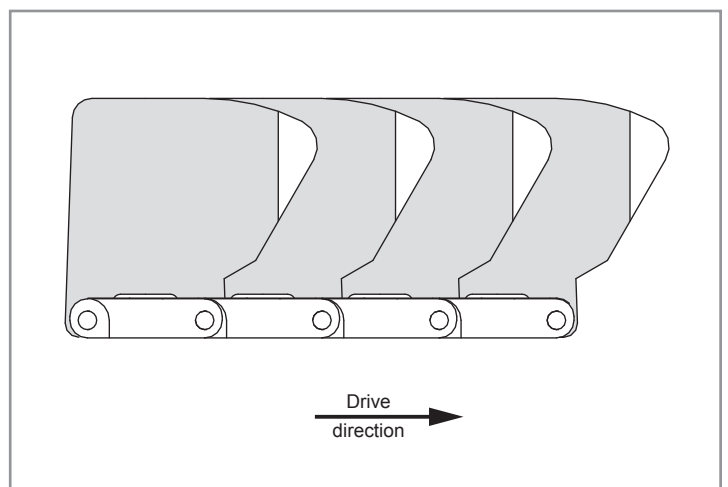
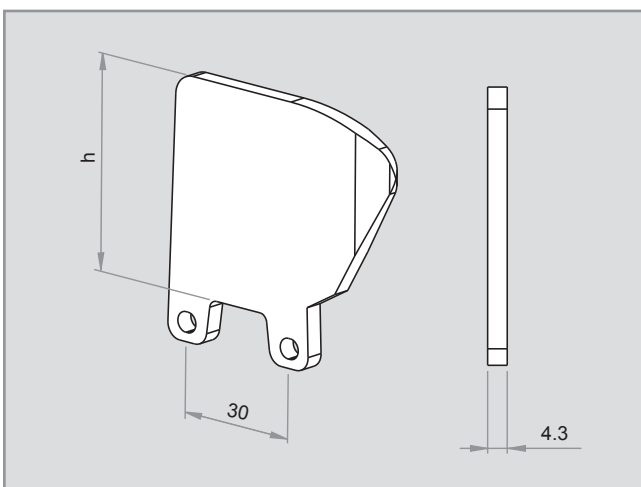
Height (h)	Materials
Straight flight [Streamline + No Cling]	
25	Polypropylene
50	Polyethylene
75	Polyacetal
Straight flight [No Cling]	
25	Polypropylene
50	Polyethylene

BENT FLIGHT



Accessories	Height (h)	Materials
Bent Flight [Streamline + No Cling]	45 70	Polypropylene Polyethylene Polyacetal

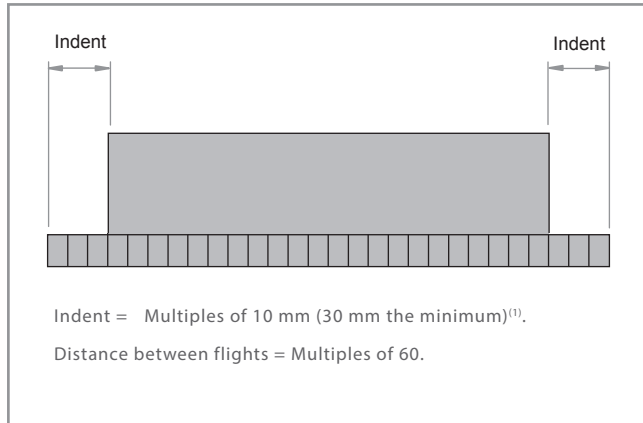
SIDE GUARDS



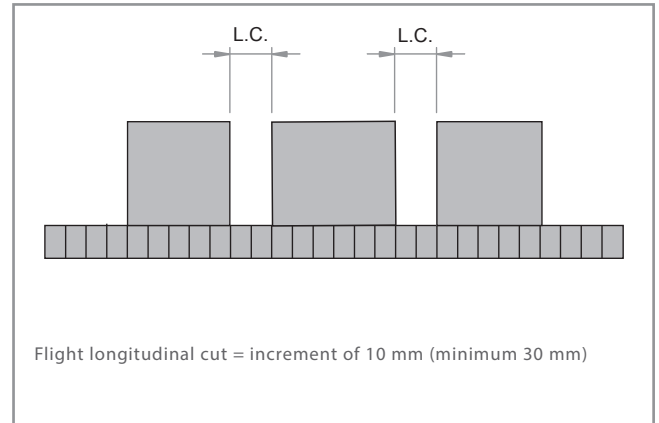
Accessories	Height (h)	Materials
Side guards	50 75	Polypropylene Polyethylene Polyacetal

TECHNICAL DATA [FLIGHTS AND SIDE GUARDS]

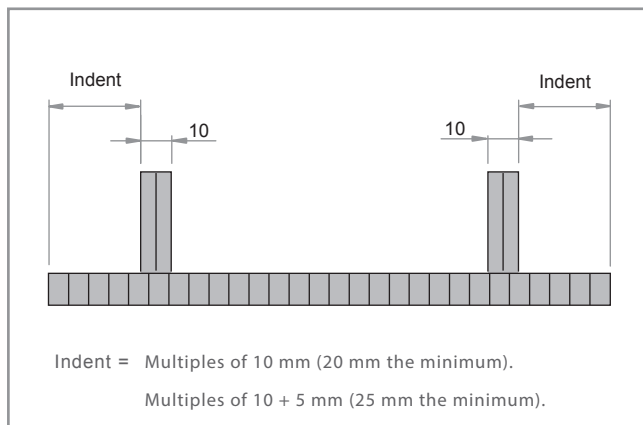
BELT ONLY WITH FLIGHTS



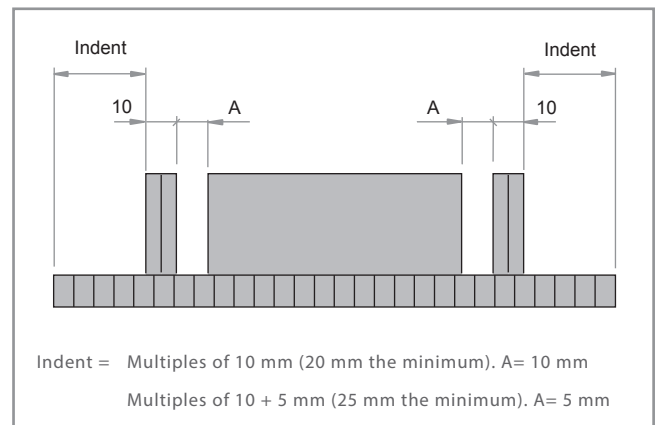
BELT WITH LONGITUDINAL CUTS



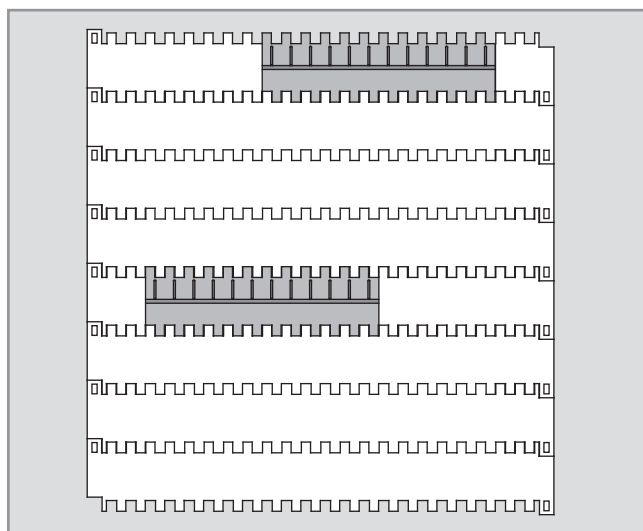
BELT ONLY WITH SIDE GUARDS



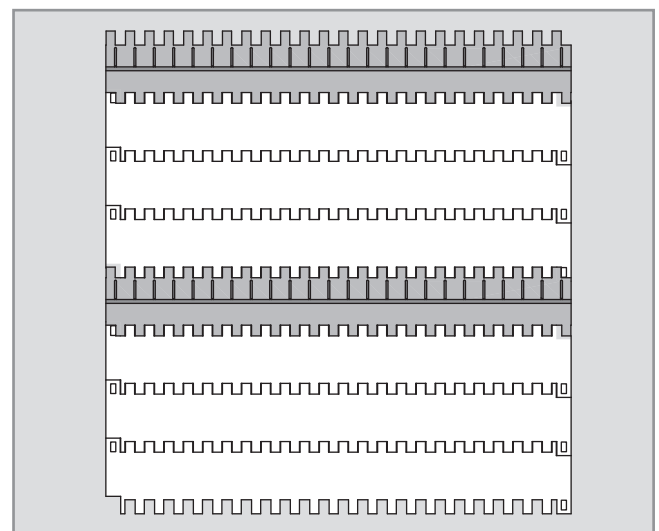
BELT WITH FLIGHTS AND SIDE GUARDS



BELT WITH ZIGZAG FLIGHTS

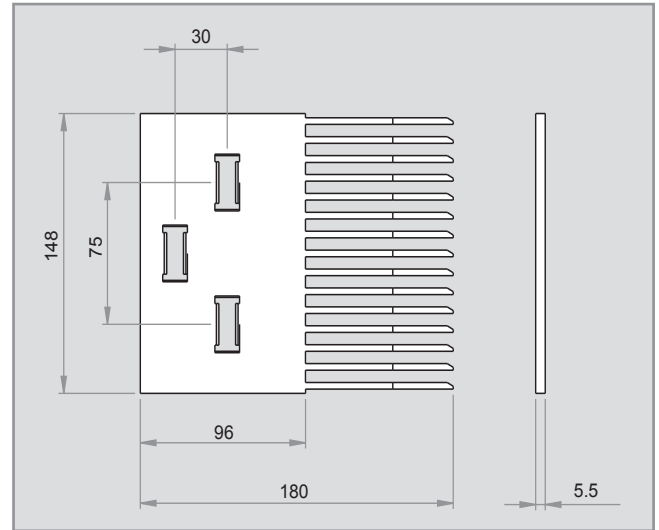
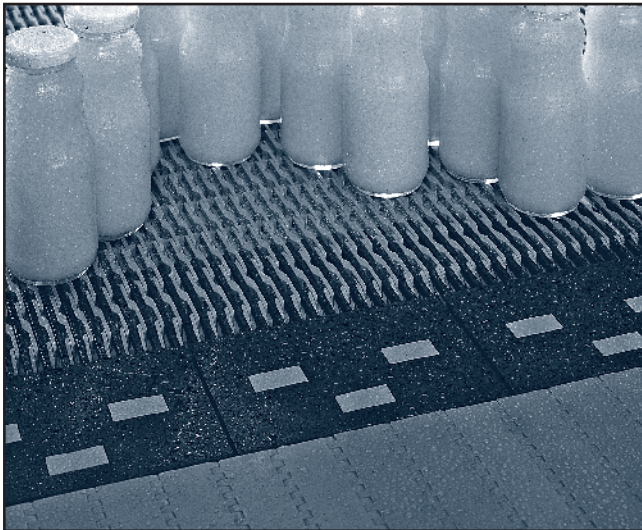


BELT WITH FLIGHTS, WITHOUT INDENT



⁽¹⁾ Ask for the possibility of shaping your belt with a smaller indent than that recommended.

ACCESSORIES [FINGER PLATES]



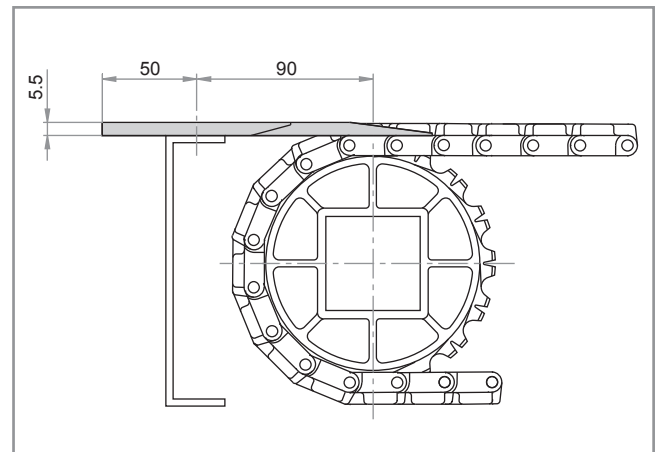
They have been designed to be used with the Raised Rib belts in applications in which it is necessary to transfer the product by means finger plates.

The finger plates are manufactured in nylon and acetal. They have 15 teeth that hide among the projecting ribs of the belt, allowing the constant flow of product as the belt is engaged. They avoid the use of conventional dead plates and consequently the problems by stumbling and fall of the product.

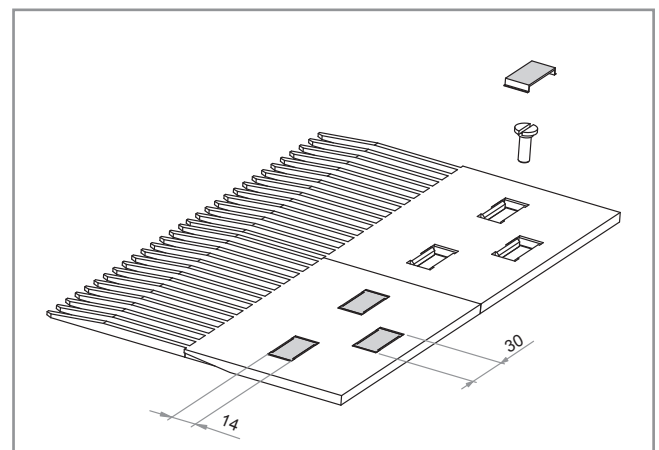
They have three fastening holes that enable little displacements to achieve a better coupling with the belt.

Those holes are located so that they reduce to the minimum the vibrations owing to the turn of the belt over the sprockets.

The finger plates can be easily installed in the structure of the conveyor putting a screw in each hole. The dimensions of these screws are: M 6 x 19 mm.



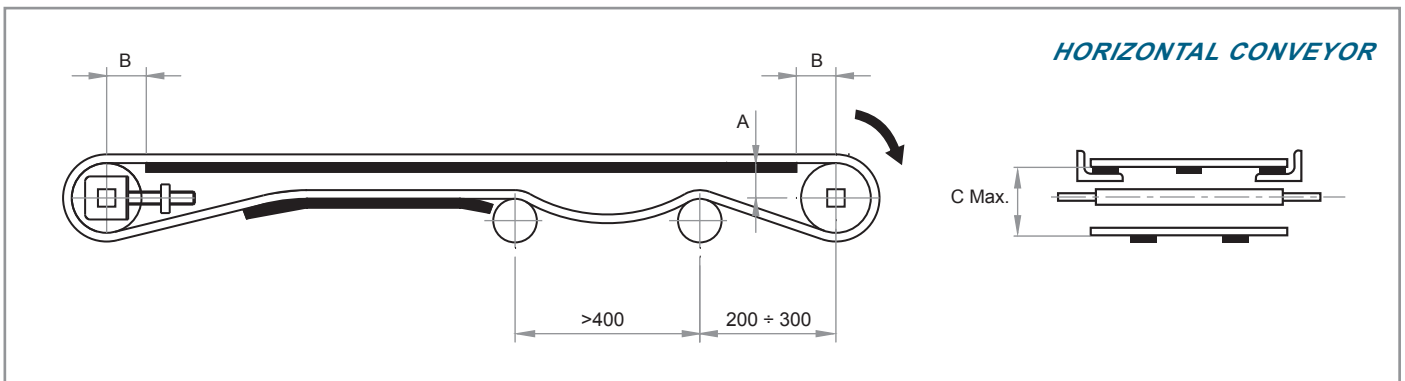
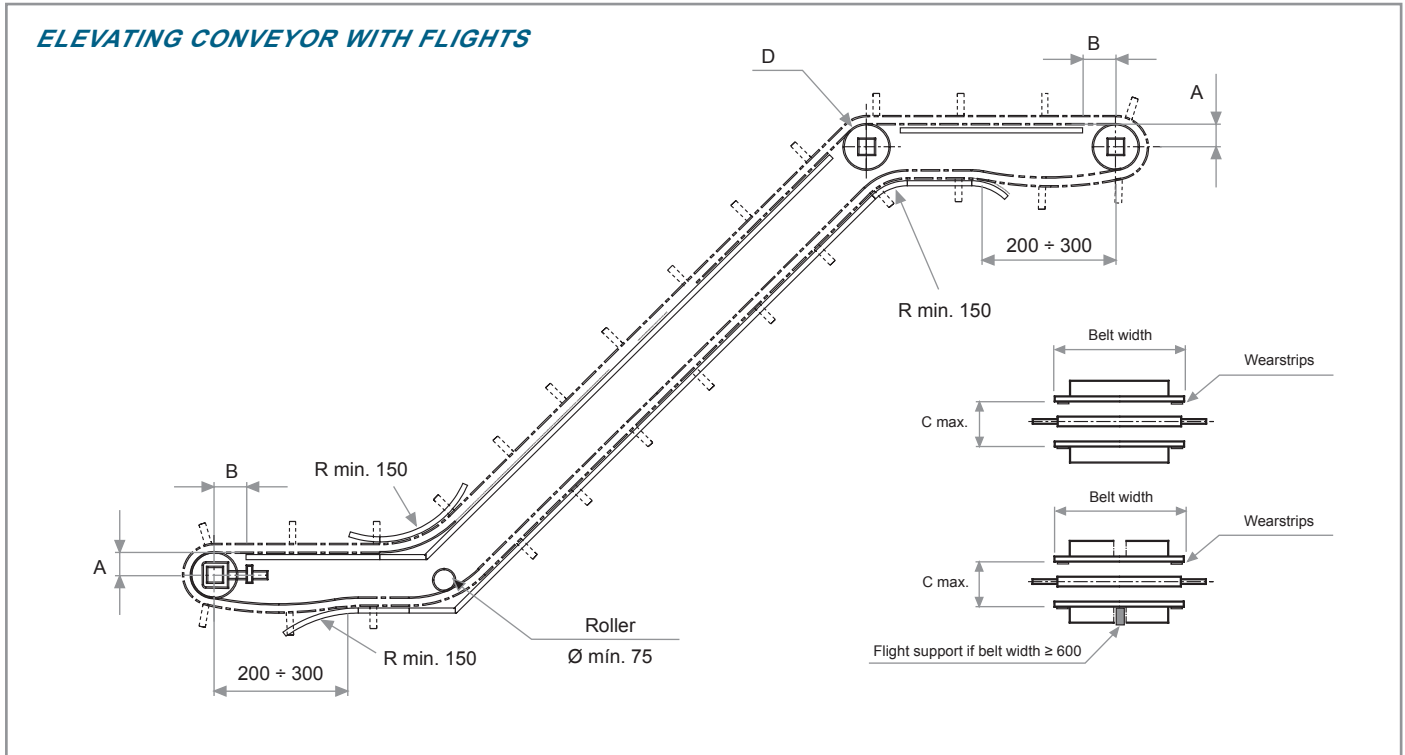
DESIGN DATA



INSTALLATION

Materials / Colours	N° of teeth	N° of holes
Nylon / Black	15	3
Polyacetal / Grey		

CONSTRUCTION DATA [CONVEYOR]



[A] Distance between the sliding surface of the belt and the centre of the shaft.

[B] Distance between the vertical of the shaft and the beginning of the sliding surface.

[C] Distance between the sliding surface of the belt and the support of the return way.

[D] If sprockets are used in the inflexion shaft, do not retain the central one.

[R] This radius must be as big as allowed by the application in order to minimize the wear (min. 150 mm). For belts with side guards, consult about this radius.

In the construction of conveyors, the distances appearing in the chart below must be respected according to the belt Series and the size of the sprockets.

N° of teeth T	Ø Pitch	A	B max.	C max.
6	60	25	30	65
9	87.7	37	40	92
11	106.5	48	50	110
16	153.5	73	65	155
20	191.5	91	75	195

TABLE OF SPROCKETS AND WEARSTRIPS

Belt nominal width (mm)		Minimum quantity of sprockets per shaft	Minimum quantity of wearstrips	
			Transport way	Return way
40	100	1	2	2
110	300	3	2	2
310	500	5	4	3
510	700	7	6	4
710	900	9	8	5
910	1,100	11	10	6
1,110	1,300	13	12	7
1,310	1,500	15	14	8
1,510	1,700	17	16	9
1,710	1,900	19	18	11
1,910	2,100	21	20	12
2,110	2,300	23	22	13
2,310	2,500	25	24	14
2,510	2,700	27	26	15
2,710	2,900	29	28	16
2,910	3,100	31	30	17
3,110	3,300	33	32	18
3,310	3,500	35	34	19
3,510	3,700	37	36	21

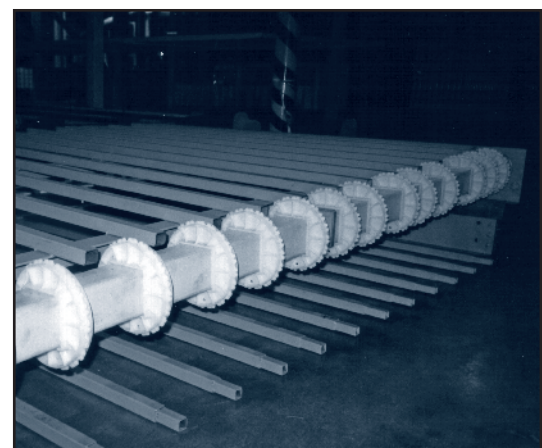
To calculate the necessary minimum quantity of sprockets for the drive shaft as well as for the idle one, the next formula has been used:

$$\text{Minimum quantity} = \frac{\text{Belt width (mm)}}{100 \text{ mm}}$$

This amount must always be odd.

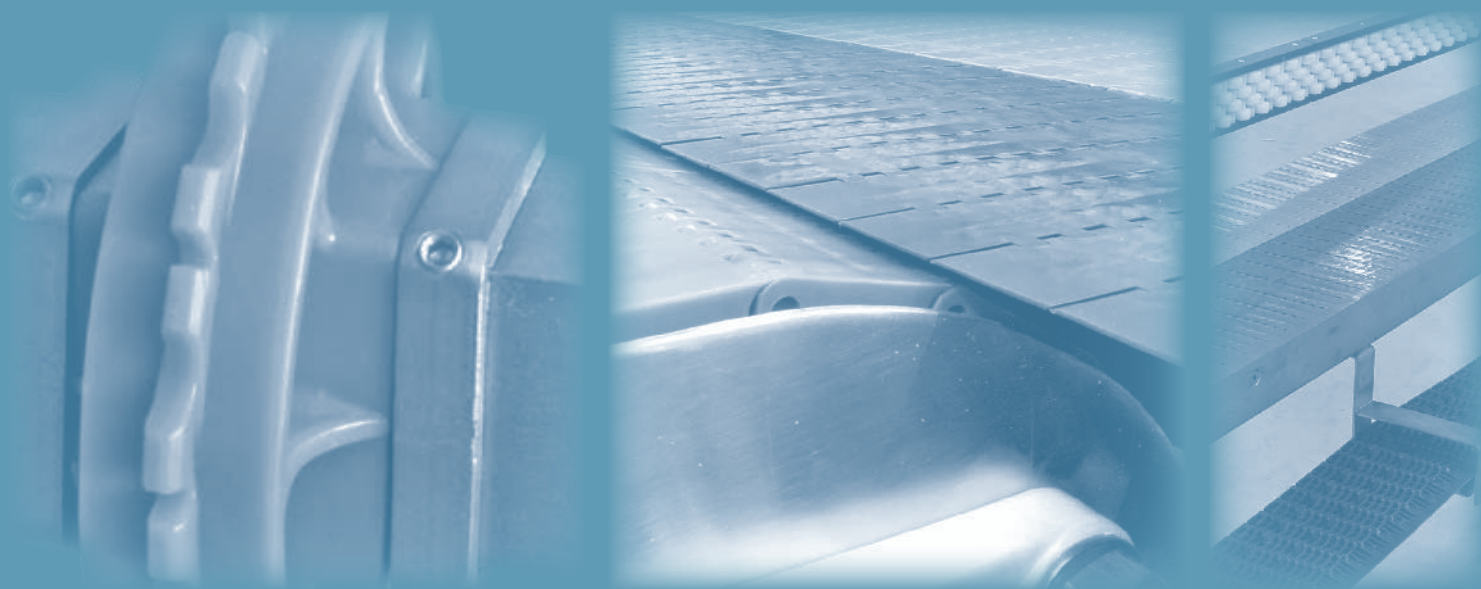
To calculate the quantity of supports, the weight of the product to be transported must be taken into account.

The distance between supports should not exceed 150 mm in the transport way or 300 mm in the return way.



SERIES E31

LATERAL TRANSFER

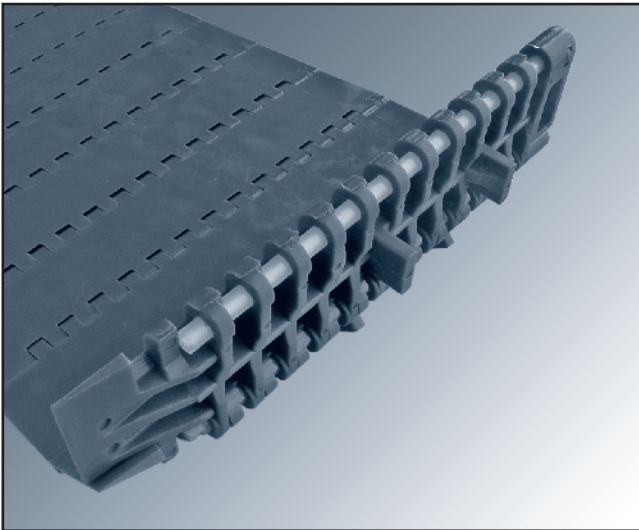




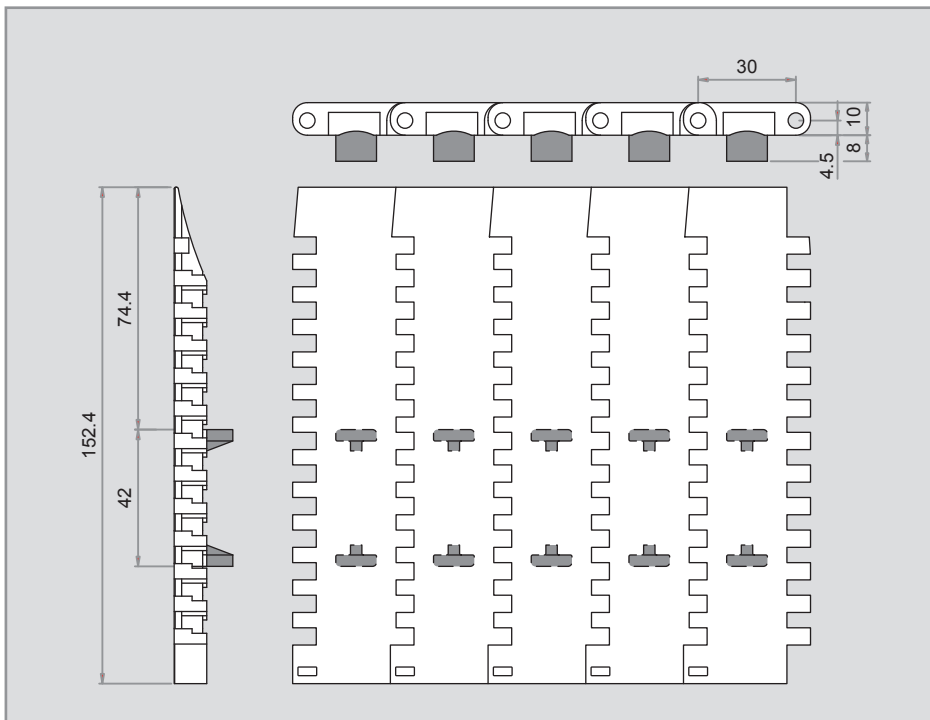
SERIES E31

LATERAL TRANSFER

SERIES E31 LATERAL TRANSFER



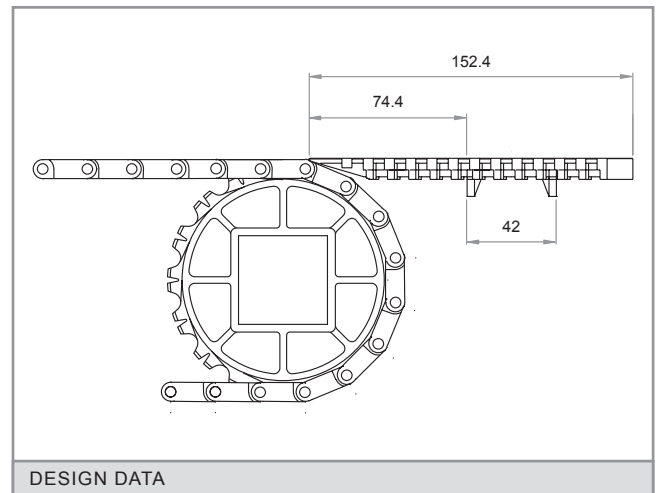
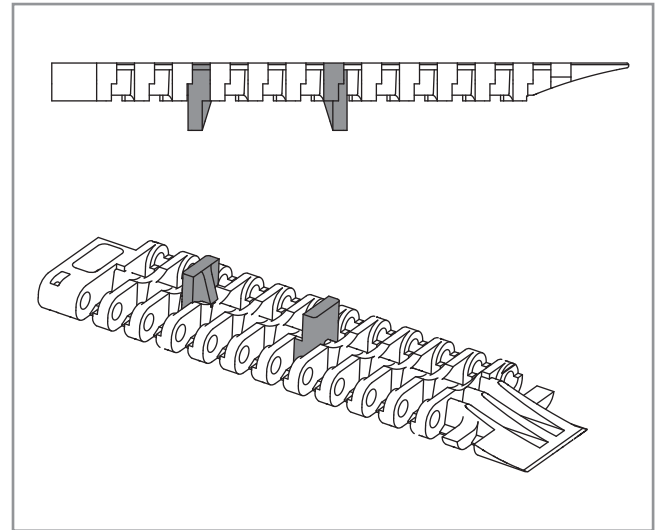
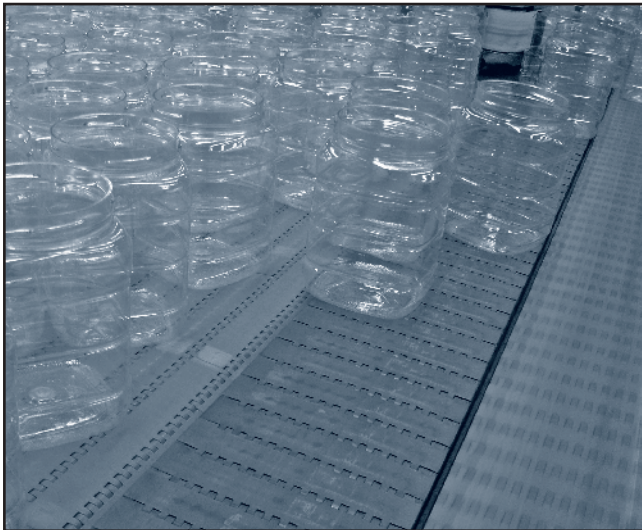
Pitch	30 mm
Surface	Lateral Transfer Flat Top
Open area	0 %
Thickness	10 mm
Lower guides	8 mm
Drive system	Central
Belt width	152.4 mm
Rod diameter	Ø 4.6 mm
Retention system	Cap



Material of the belt	Material of the rod	Belt strength (kg/m)	Temperature range (°C)	Lineal meter weight (kg)	Available colours in stock
AC - Polyacetal	PP - Polypropylene	2,250	+1 to +90	1.13	[B]

Colours: [W] White - [G] Grey - [B] Blue - [N] Natural - [O] Black. // The materials and colours that are normally in stock are those above indicated. In special cases in which it is needed a belt in a material or colour different from those above mentioned, you should ask directly to EUROBELT.

TRANSFERENCES WITH BELT



The EUROBELT belts of only one module are more noiseless and lighter than the chain lines.

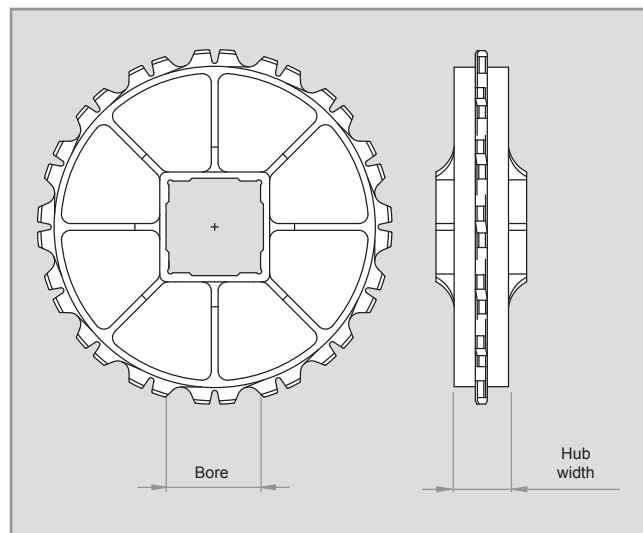
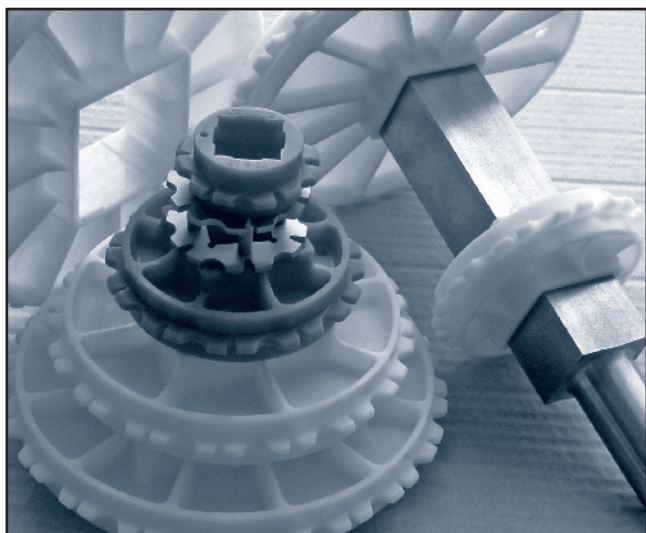
Their maintenance is considerably reduced as it is not necessary the use of any type of lubricant to obtain a good performance.

Using the Series 31 Lateral-Transfer Flat Top, dynamic and smooth lateral transferences can be carried out with no need of finger plates.

With one of its edges bevelled we manage to bring nearer the belts taking part in the transference, whereas the lower guides keep the belt aligned.

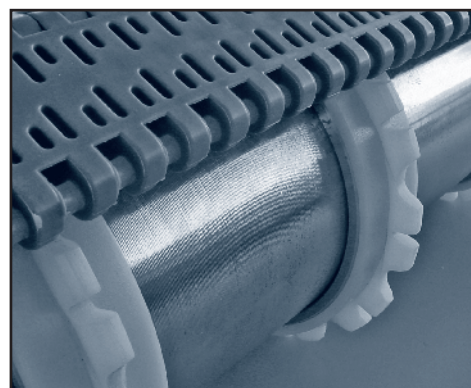
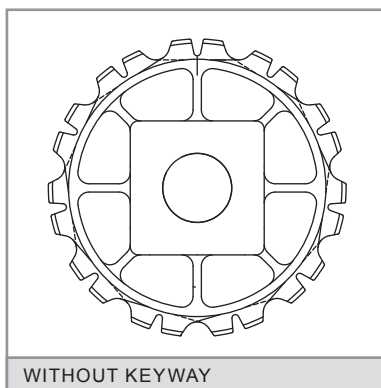
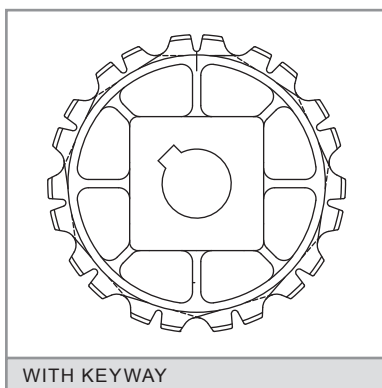
It has been designed for those applications in which we want to avoid the retention of containers in the transference area as well as to achieve more efficiency in their movement.

ACCESSORIES [SPROCKETS]



N° of teeth T	Ø Pitch	Bore for square shaft		Hub width	Materials
		mm	inch		
6	60	25	-	24	Polypropylene Polyacetal Stainless steel
9	87.7	25	1"	24	
		40	1.5"		
11	106.5	40	1.5"	40	
16	153.5	40	1.5"	40	
		60	2.5"		
20	191.5	40	1.5"	40	
		60			
		90			

SPROCKETS FOR SQUARE SHAFT



We have plastic sprockets for round shaft with and without keyway. We also have sprockets to be used with motor drum in applications needing a special cleaning or in conveyors in which it is not possible to place the motor in the outside due to problems of space or safety.

ACCESSORIES [RETAINING RINGS]

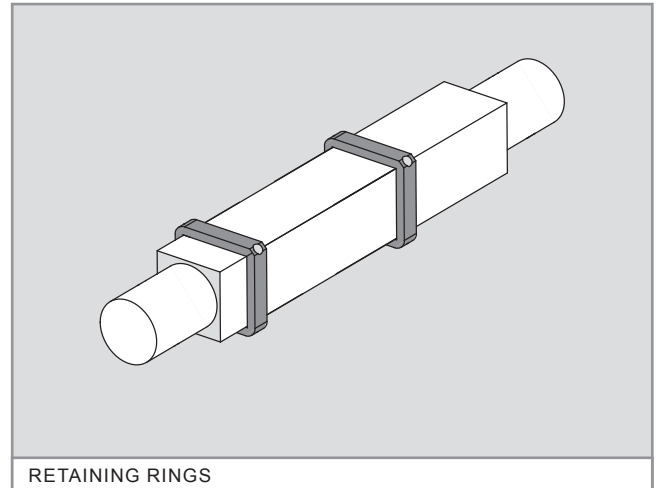
INSTALLATION

These rings are placed at every side of the central sprocket to fasten it to the shaft in order to avoid any lateral movements of the belt.

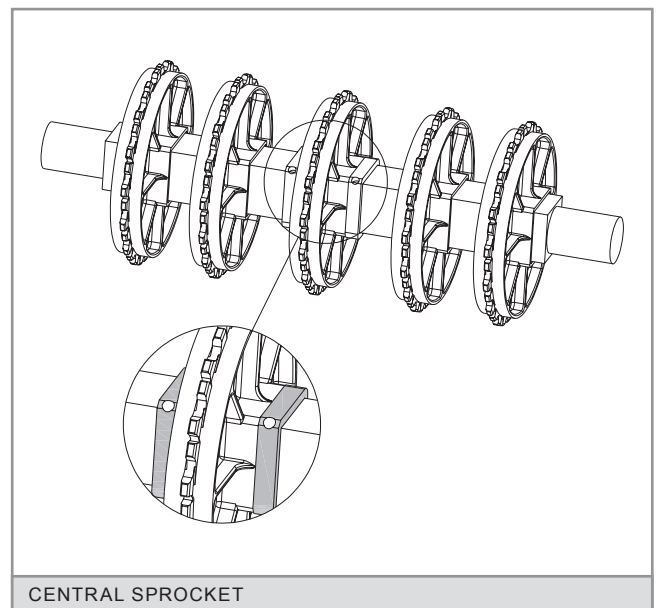
They are manufactured in AISI 316 stainless steel and they are fixed by means of a set screw stuffed in the ring itself.

One sprocket, duly fixed with 2 retaining rings, should be put in the centre. Then you should place the same quantity of sprockets at every side of the central one but without any fixing, as they will absorb the possible belt expansions and contractions.

The same procedure should be carried out in both shafts.



RETAINING RINGS

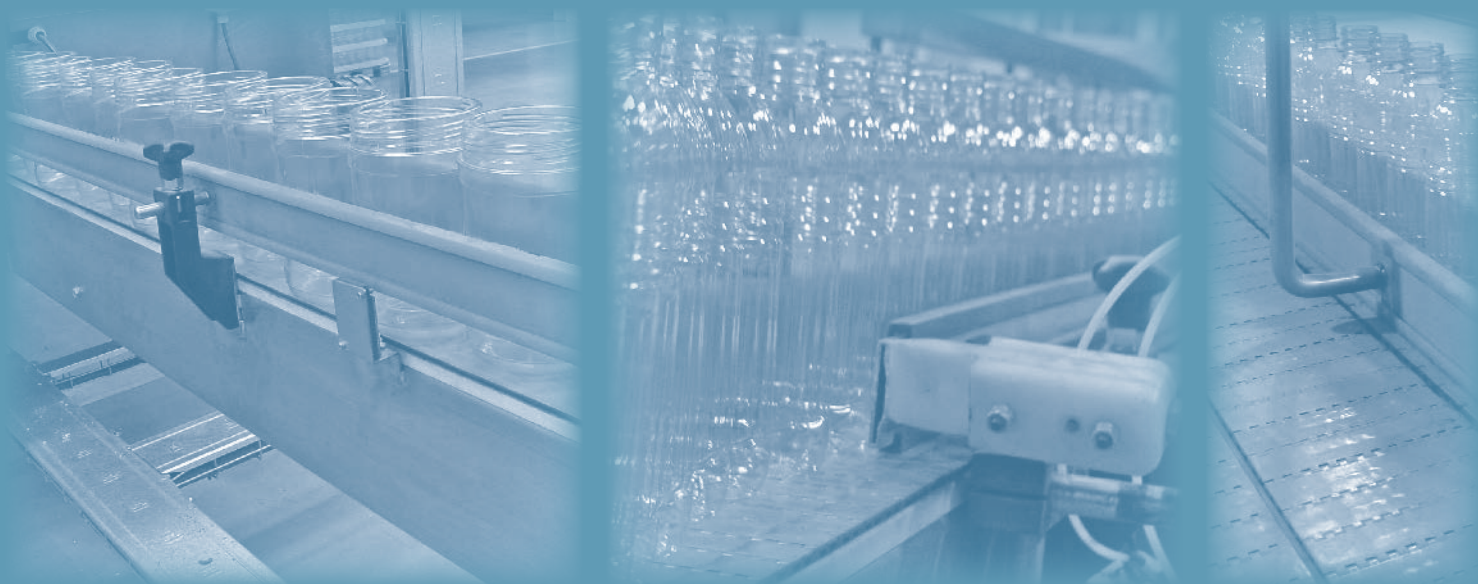


CENTRAL SPROCKET

Bore for square shaft	Screws
20	M 5 x 5
40	M 6 x 6
60	M 6 x 6
90	M 6 x 6

SERIES E32

FLAT TOP



BELT WIDTH

82.5 MM

152.4 MM

190.5 MM

114.3 MM

BELT WIDTH

82.5 MM

152.4 MM

190.5 MM

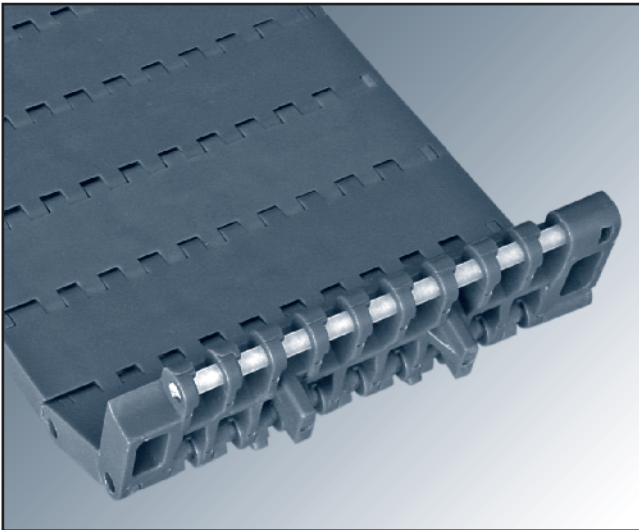
114.3 MM



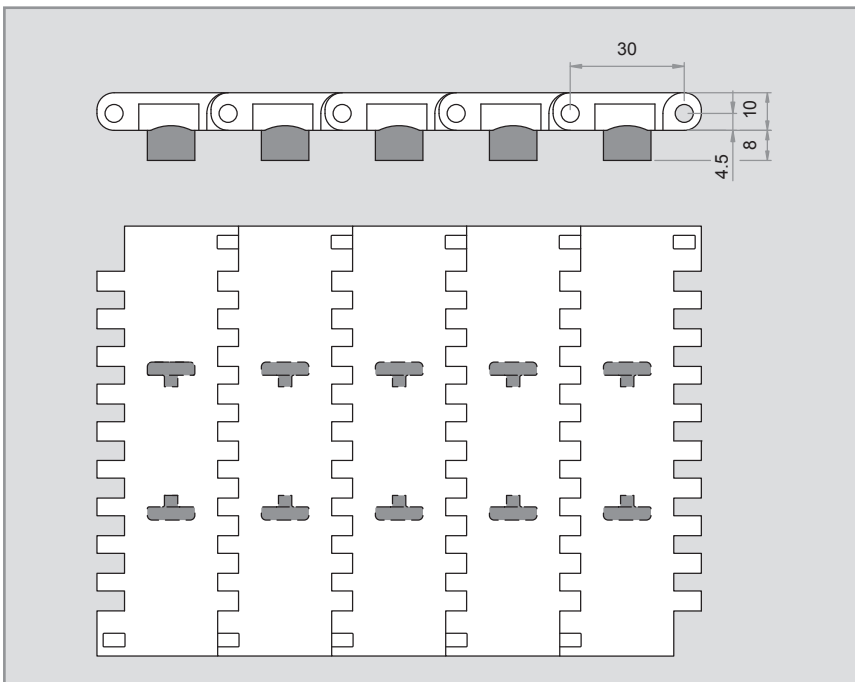
SERIES E32

FLAT TOP

SERIES E32 FLAT TOP



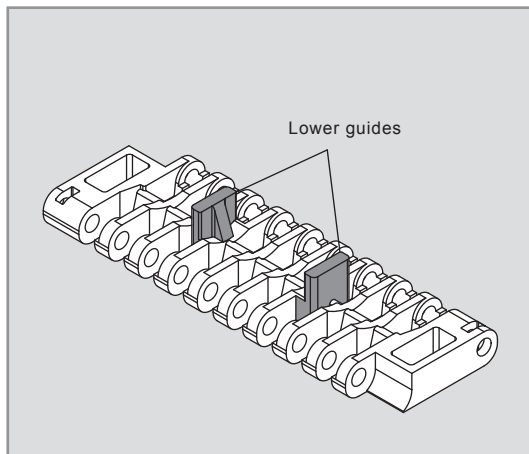
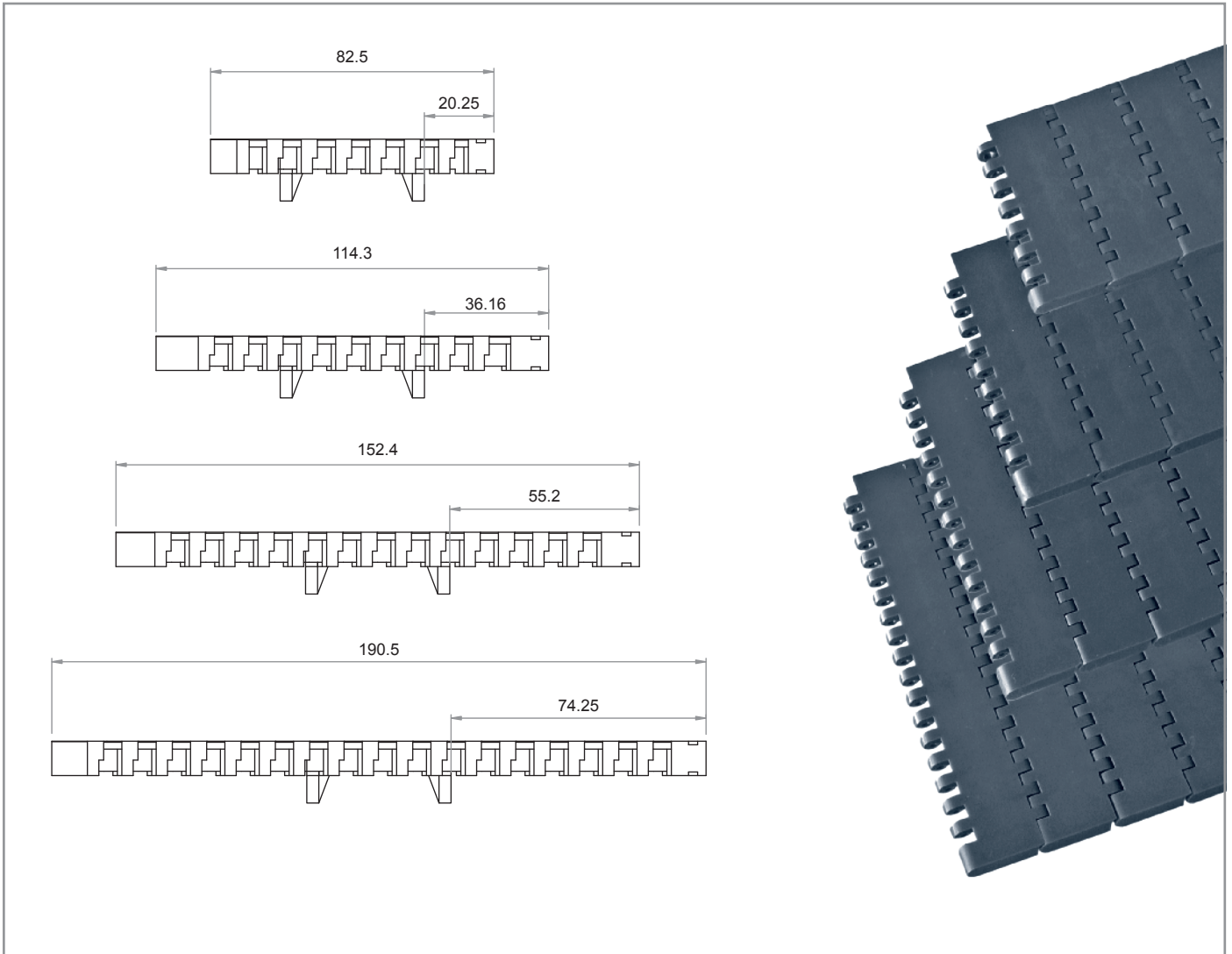
Pitch	30 mm
Surface	Flat Top
Open area	0 %
Thickness	10 mm
Lower guides	8 mm
Drive system	Central
Rod diameter	Ø 4.6 mm
Retention system	Cap
Available colours in stock	Blue



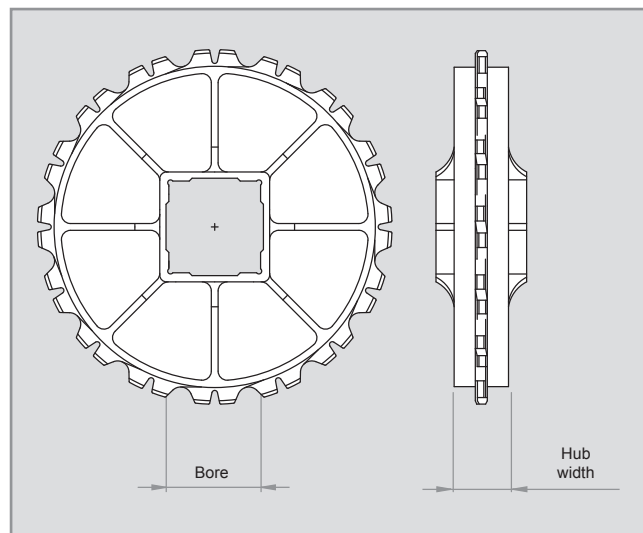
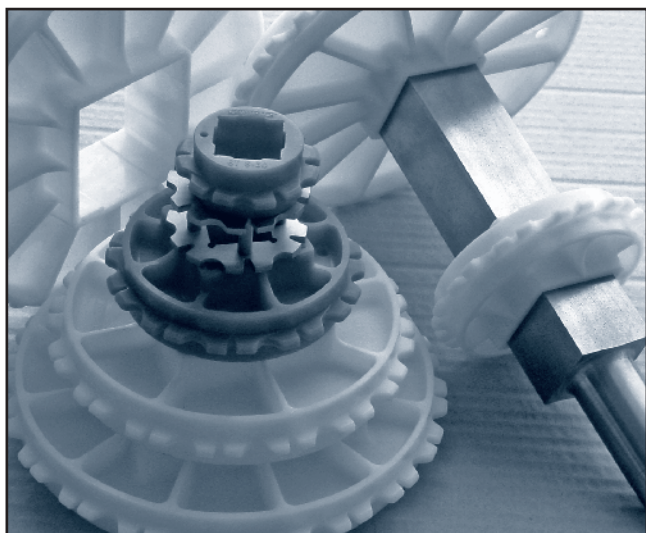
EUROBELT SERIES E32 has a 30 mm pitch and a mould-to-width geometry whose widths are 82.5, 114.3, 152.4, and 190.5 mm.

The EUROBELT E32 mould-to-width belts are much more noiseless and require smaller maintenance costs than the table-top belt lines. Moreover, not needing any type of lubricant for their normal working, their profitability is assured.

Belt width (mm)	Material of the belt	Material of the rod	Belt strength (kg/m)	Temperature range (°C)	Lineal meter weight (kg)
82.5	AC - Polyacetal	PP - Polypropylene	2,250	+1 to +90	0.70
114.3					0.90
152.4					1.15
190.5					1.43

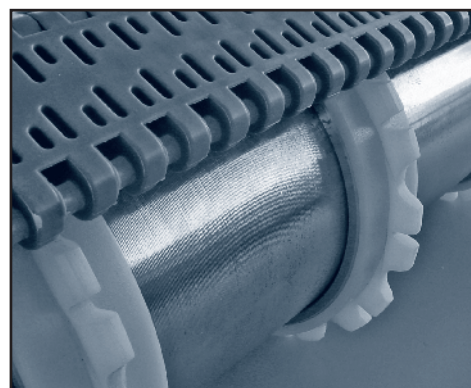
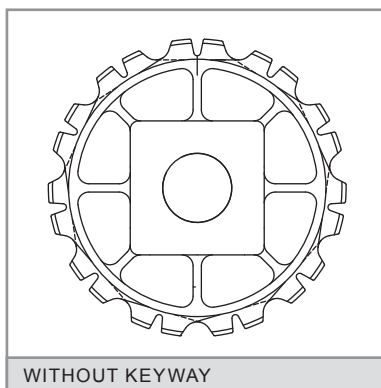
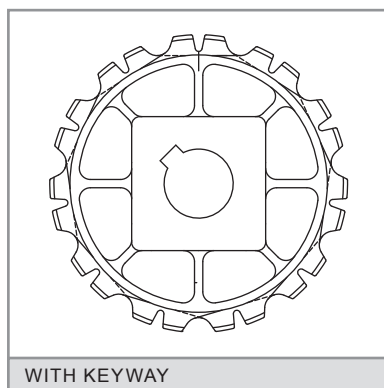


ACCESSORIES [SPROCKETS]



N° of teeth T	Ø Pitch	Bore for square shaft		Hub width	Materials
		mm	inch		
6	60	25	-	24	Polypropylene Polyacetal Stainless steel
9	87.7	25	1"	24	
		40	1.5"		
11	106.5	40	1.5"	40	
16	153.5	40	1.5"	40	
		60	2.5"		
20	191.5	40	1.5"	40	
		60			
		90			

SPROCKETS FOR SQUARE SHAFT



We have plastic sprockets for round shaft with and without keyway. We also have sprockets to be used with motor drum in applications needing a special cleaning or in conveyors in which it is not possible to place the motor in the outside due to problems of space or safety.

ACCESSORIES [RETAINING RINGS]

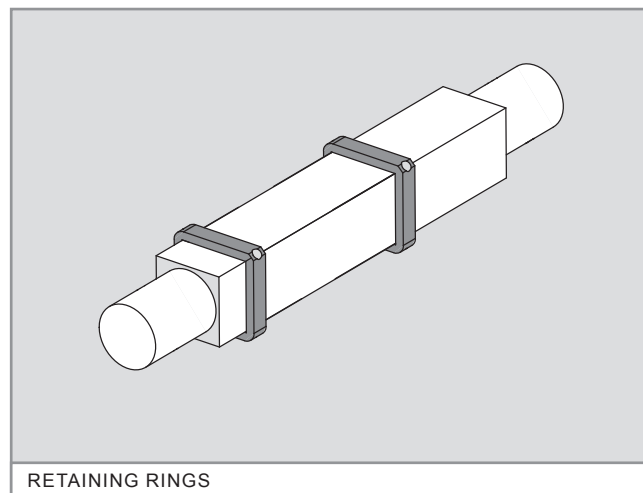
INSTALLATION

These rings are placed at every side of the central sprocket to fasten it to the shaft in order to avoid any lateral movements of the belt.

They are manufactured in AISI 316 stainless steel and they are fixed by means of a set screw stuffed in the ring itself.

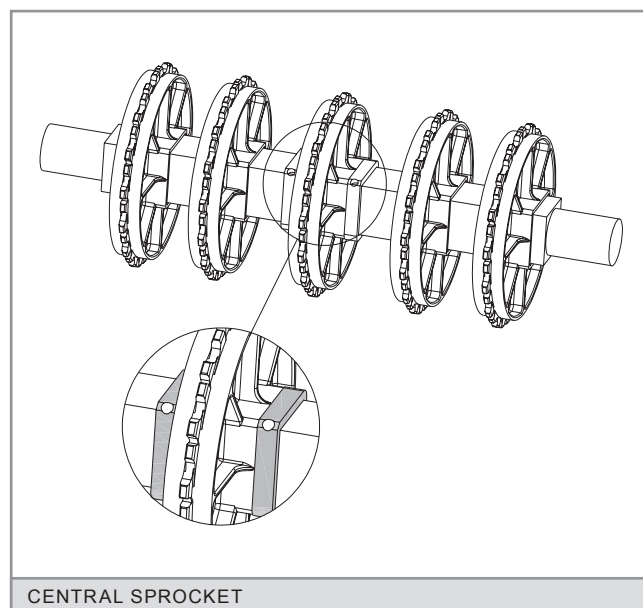
One sprocket, duly fixed with 2 retaining rings, should be put in the centre. Then you should place the same quantity of sprockets at every side of the central one but without any fixing, as they will absorb the possible belt expansions and contractions.

The same procedure should be carried out in both shafts.



RETAINING RINGS

Bore for square shaft	Screws
20	M 5 x 5
40	M 6 x 6
60	M 6 x 6
90	M 6 x 6



CENTRAL SPROCKET

SERIES E40



FLAT TOP

FLUSH GRID

SLIDING ROLLERS

NON SLIP

FLAT TOP

FLUSH GRID

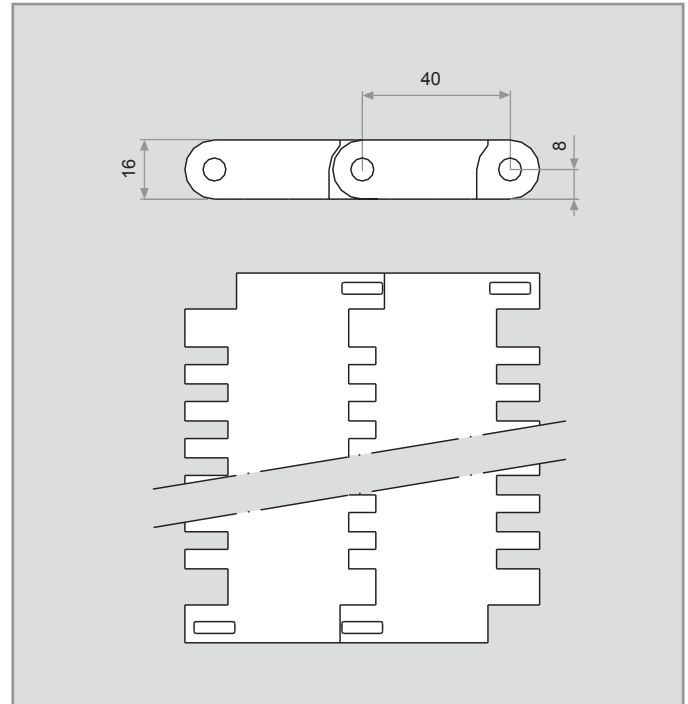
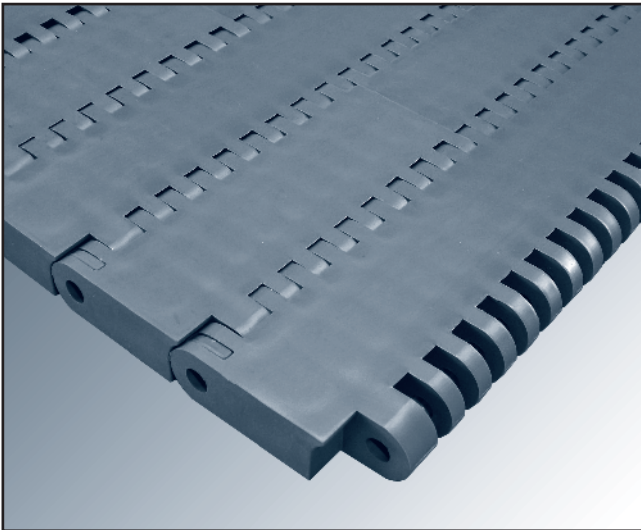
SLIDING ROLLERS

NON SLIP



SERIES E40

SERIES E40 FLAT TOP



Eurobelt Series E40 Flat Top, given the closed surface configuration, is the suitable conveyor belt for those applications in which it is not necessary any drainage through the belt and/or the product to be transported is small. Due to its great mechanical resistance, it is ideal for applications having large conveyance lengths or bearing very heavy loads.

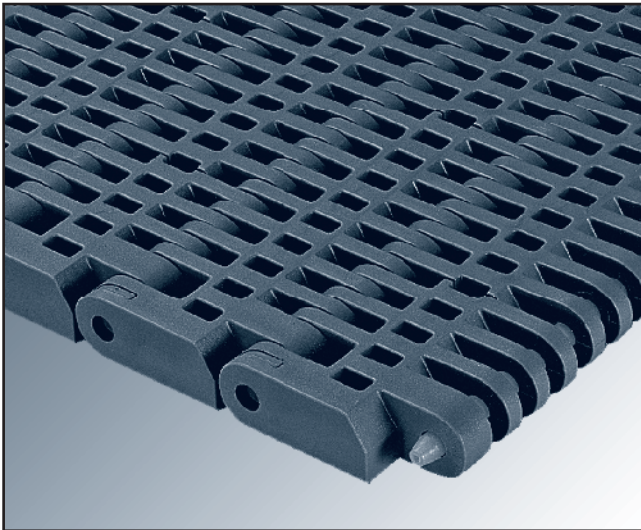


Pitch	40 mm
Surface	Flat Top
Open area	0 %
Thickness	16 mm
Drive system	Central
Belt width	Multiples of 10 mm
Rod diameter	Ø 6 mm
Retention system	Cap

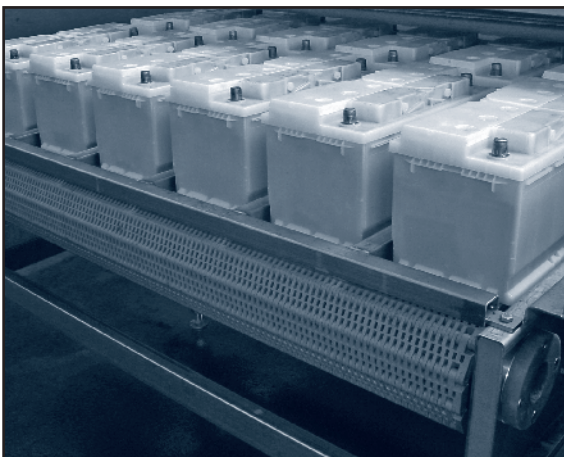
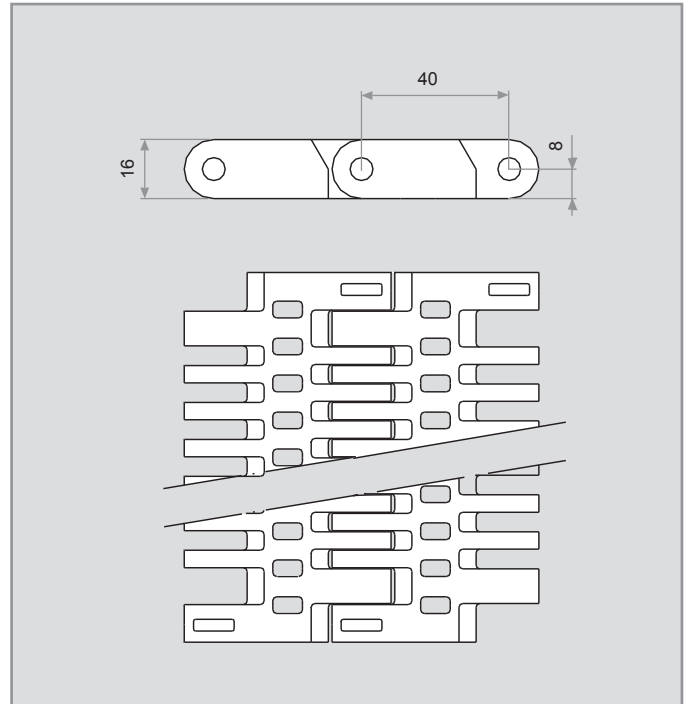
Material of the belt	Material of the rod	Belt strength (kg/m)	Temperature range (°C)	Belt weight (kg/m ²)	Available colours in stock
PP - Polypropylene	PP - Polypropylene	3,600	+1 to +104	11.01	[W] - [G]
PE - Polyethylene	PE - Polyethylene	2,730	-50 to +65	11.34	[N]
AC - Polyacetal	PP - Polypropylene	4,910	+1 to +90	16.42	[B]
	PE - Polyethylene	4,350	-40 to +65	16.72	[B]

Colours: [W] White - [G] Grey - [B] Blue - [N] Natural - [O] Black. // The materials and colours that are normally in stock are those above indicated. In special cases in which it is needed a belt in a material or colour different from those above mentioned, you should ask directly to EUROBELT.

SERIES E40 FLUSH GRID



Eurobelt Series E40 Flush Grid has a grille-shaped configuration with a 14% open area, and a completely smooth surface. Due to the specific study carried out, it is one of the strongest belts in the market, having an excellent drainage capacity.

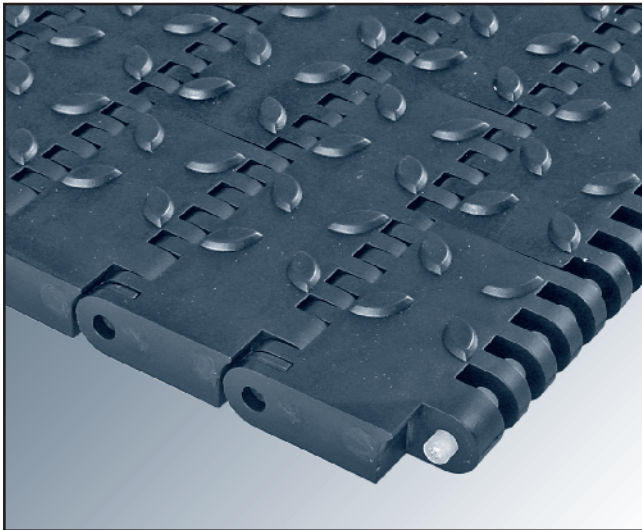


Pitch	40 mm
Surface	Flush Grid
Open area	14 %
Maximum opening (approx.)	[8 x 4.5] mm
Thickness	16 mm
Drive system	Central
Belt width	Multiples of 10 mm
Rod diameter	Ø 6 mm
Retention system	Cap

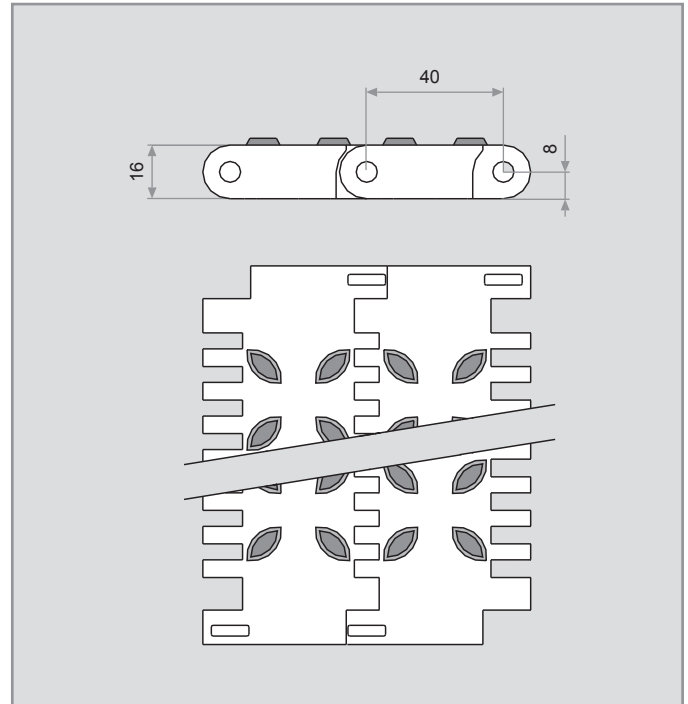
Material of the belt	Material of the rod	Belt strength (kg/m)	Temperature range (°C)	Belt weight (kg/m ²)	Available colours in stock
PP - Polypropylene	PP - Polypropylene	3,600	+1 to +104	11.06	[W] - [G]
PE - Polyethylene	PE - Polyethylene	2,700	-50 to +65	11.25	[N]
AC - Polyacetal	PP - Polypropylene	4,800	+1 to +90	16.05	[B]
	PE - Polyethylene	4,200	-40 to +65	16.35	[B]

Colours: [W] White - [G] Grey - [B] Blue - [N] Natural - [O] Black. // The materials and colours that are normally in stock are those above indicated. In special cases in which it is needed a belt in a material or colour different from those above mentioned, you should ask directly to EUROBELT.

SERIES E40 NON SLIP



Eurobelt Series E40 Non Slip has a closed surface with a relief specially designed to avoid slips. Both its high resistance to traction and to chemical aggression of oils and industrial acids make it be the suitable belt for assembly lines in the car industry, for conveying people, furniture, electrical appliances, etc.



Pitch	40 mm
Surface	Non Slip
Open area	0 %
Thickness	16 mm
Drive system	Central
Belt width	Multiples of 10 mm
Rod diameter	Ø 6 mm
Retention system	Cap

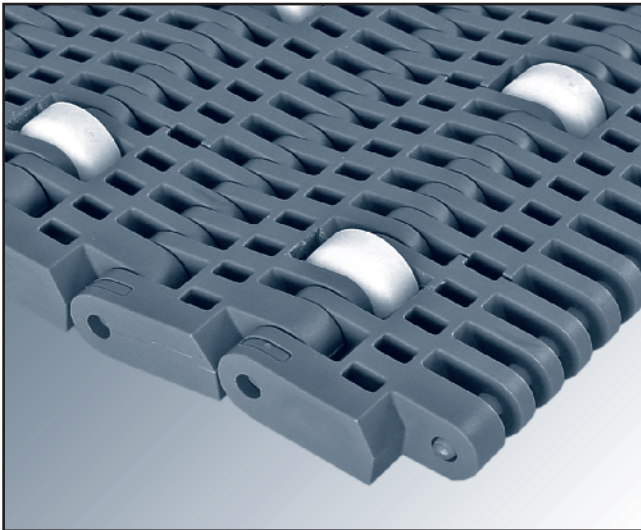
Material of the belt	Material of the rod	Belt strength (kg/m)	Temperature range (°C)	Belt weight (kg/m ²)	Available colours in stock
PPE - Electrically Conductive Polypropylene ⁽¹⁾	PP - Polypropylene	3,600	+1 to +104	11.97	[O]
ACE - Electrically Conductive Polyacetal ⁽¹⁾		Ask for availability			

This conveyor belt is manufactured in conductive materials to disperse the electrostatic charges through the conveyor frame.

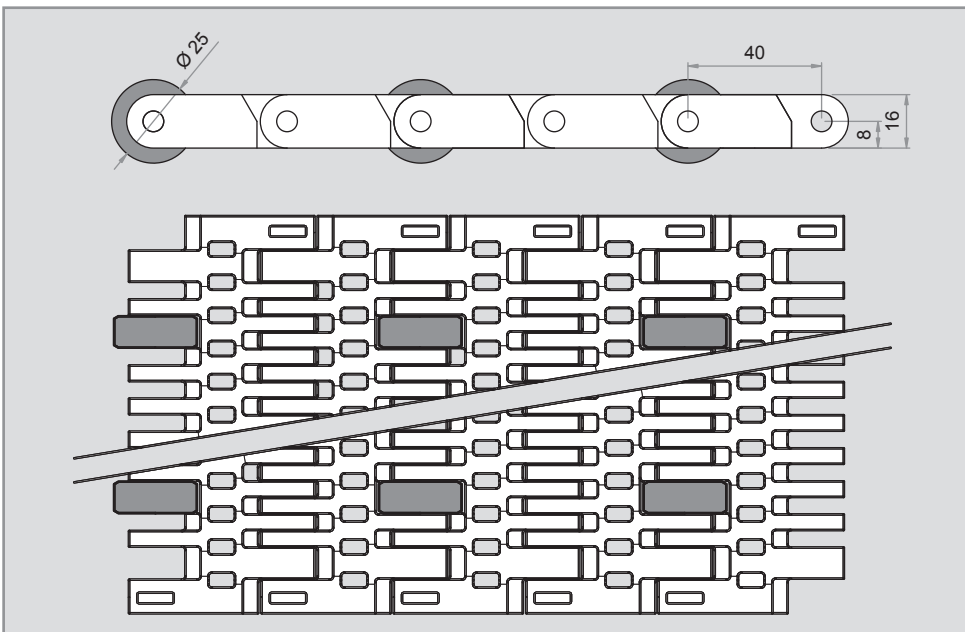
Colours: [W] White - [G] Grey - [B] Blue - [N] Natural - [O] Black. // The materials and colours that are normally in stock are those above indicated. In special cases in which it is needed a belt in a material or colour different from those above mentioned, you should ask directly to EUROBELT.

⁽¹⁾ *Unsuitable for direct contact with food.*

SERIES E40 SLIDING ROLLERS



Pitch	40 mm
Surface	Sliding Rollers
Drive system	Hinge
Belt width	Multiples of 10 mm
Rod diameter	Ø 6 mm
Retention system	Cap
Diameter of small roller	Ø 25 mm
Width of small roller	10 mm
Material of small roller	Polyacetal
Sliding Rollers pitch	Multiples of 40 mm



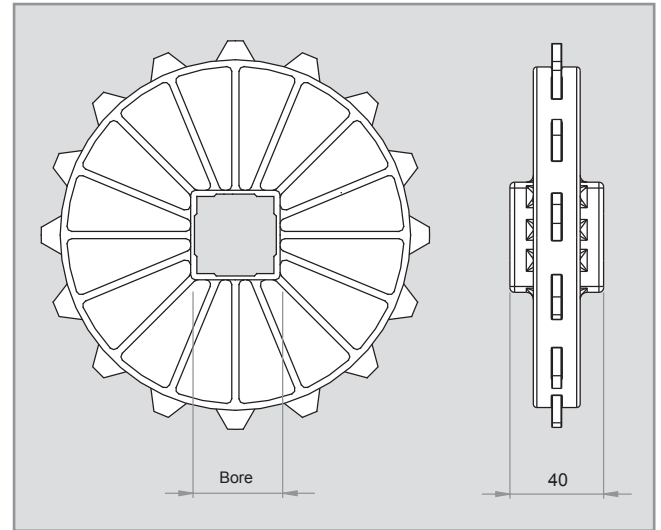
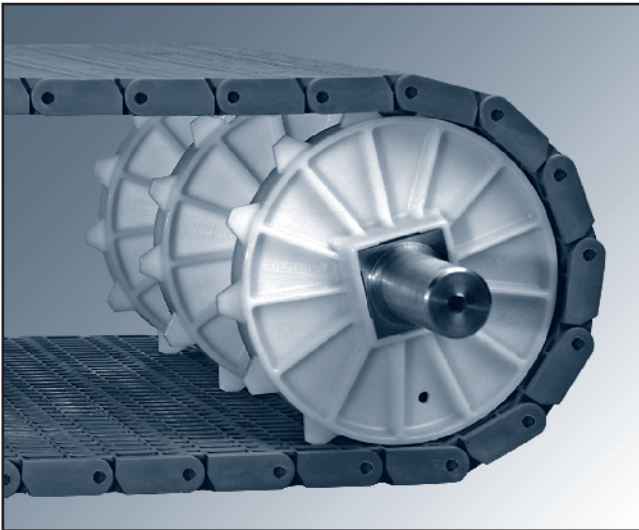
Eurobelt Series E40 Sliding Rollers is provided with small rollers inserted on its surface that rotate around themselves whenever there is product accumulation, avoiding crushing and wear in the base of the product.

Surface of the belt	Belt standard material	Rod standard material	Belt strength (kg/m)	Temperature range (°C)	Available colours in stock
Flush Grid	PP - Polypropylene	PP - Polypropylene	3,600	+1 to +104	[W] - [G]
	PE - Polyethylene	PE - Polyethylene	2,700	-50 to +65	[N]
	AC - Polyacetal	PP - Polypropylene	4,800	+1 to +90	[B]
		PE - Polyethylene	4,200	-40 to +65	[B]

This conveyor belt has been designed mainly to solve problems of conveyance of boxes, containers, etc.

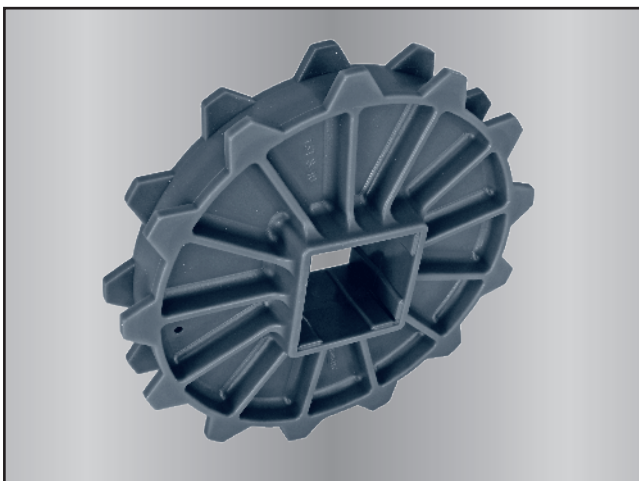
Colours: [W] White - [G] Grey - [B] Blue - [N] Natural - [O] Black. // The materials and colours that are normally in stock are those above indicated. In special cases in which it is needed a belt in a material or colour different from those above mentioned, you should ask directly to EUROBELT.

ACCESSORIES [SPROCKETS]



N° of teeth T	Ø Pitch	Bore for square shaft		Hub width	Materials
		mm	inch		
8	104.5	40	1.5"	40	Polypropylene Polyacetal Stainless steel
10	129.4	40 60	1.5"	40	
13	167.1	40 60	1.5"	40	
16	205	40 60	1.5"	40	
20	255.7	40 60 90	1.5"	40	

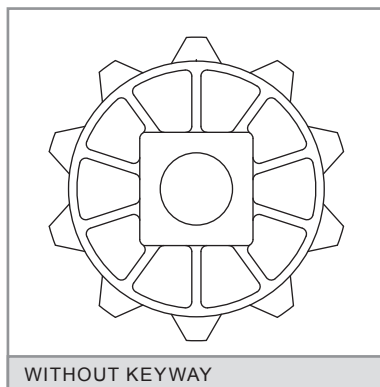
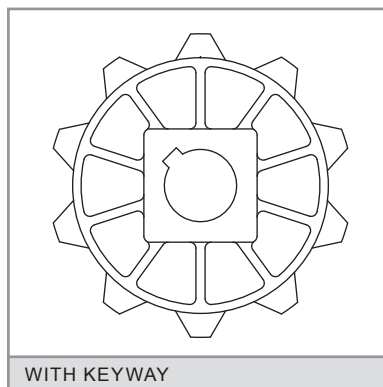
DOUBLE-TOOTHED SPROCKET



N° of teeth T	13
Ø Pitch	167.1
Bore for square shaft (mm)	40 60
Bore for square shaft (inch)	1.5" 2.5"
Hub width	40
Materials	Polypropylene Polyacetal

ACCESSORIES [[SPROCKETS AND RETAINING RINGS]

SPROCKETS FOR SQUARE SHAFT



We have plastic sprockets for round shaft with and without keyway. We also have sprockets to be used with motor drum in applications needing a special cleaning or in conveyors in which it is not possible to place the motor in the outside due to problems of space or safety.

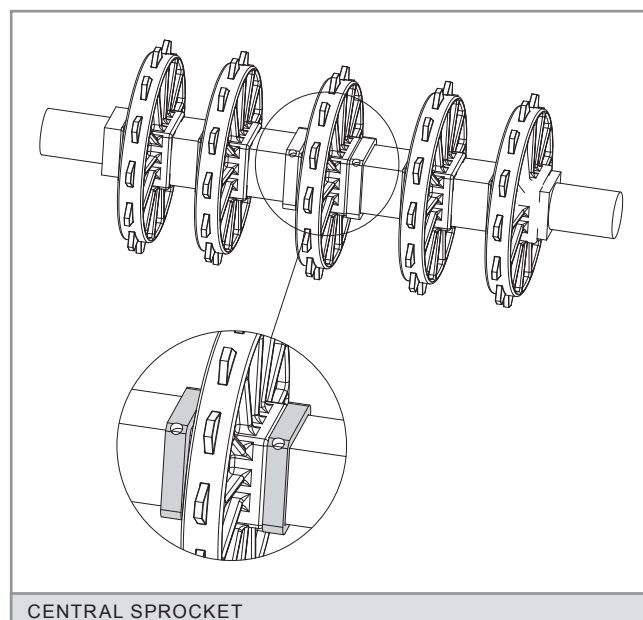
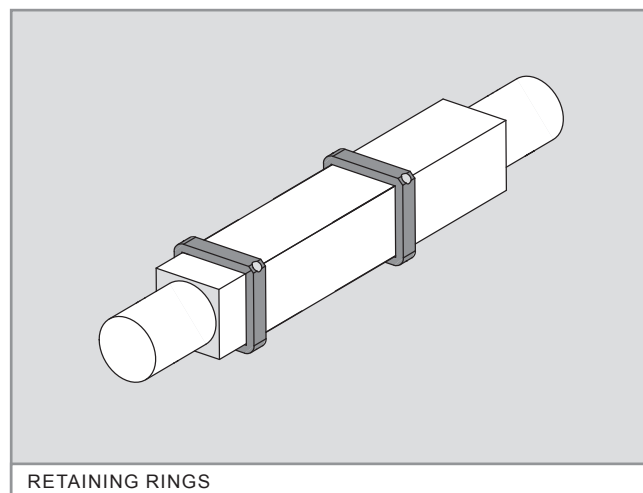
INSTALLATION

These rings are placed at every side of the central sprocket to fasten it to the shaft in order to avoid any lateral movements of the belt.

They are manufactured in AISI 316 stainless steel and they are fixed by means of a set screw stuffed in the ring itself.

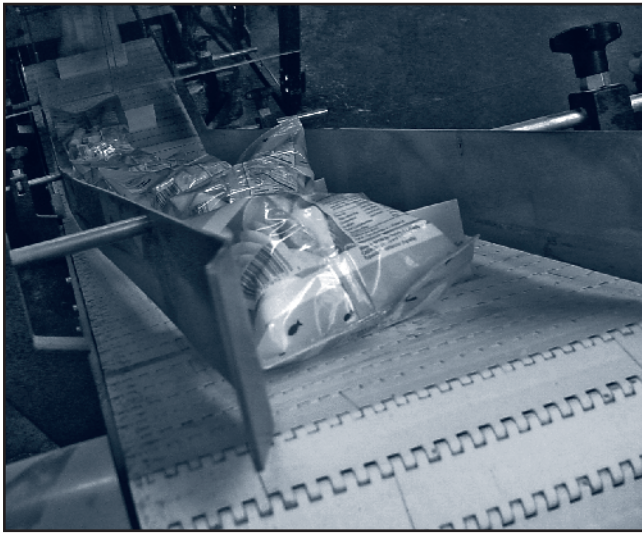
One sprocket, duly fixed with 2 retaining rings, should be put in the centre. Then you should place the same quantity of sprockets at every side of the central one but without any fixing, as they will absorb the possible belt expansions and contractions.

The same procedure should be carried out in both shafts.



Bore for square shaft	Screws
40	M 6 x 6
60	M 6 x 6
90	M 6 x 6

ACCESSORIES [FLIGHTS AND SIDE GUARDS]



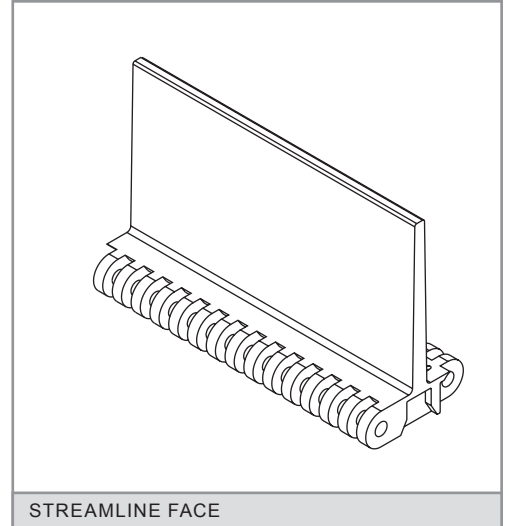
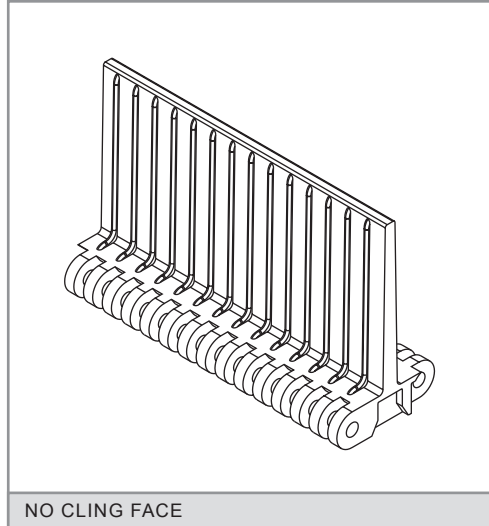
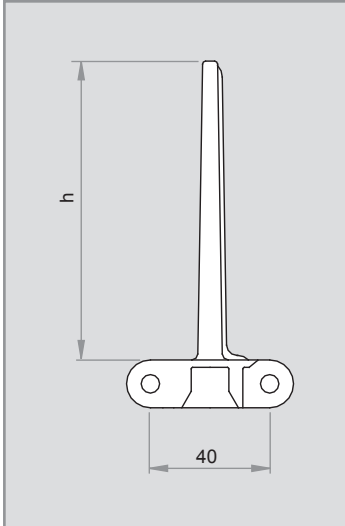
The **flights** are plastic accessories to be inserted across the belt. They are used to push the product in ascent, descent or accompaniment applications, avoiding that it slips along the belt.

Its non-stick side has ribs that project over the surface to prevent the product from sticking.

The **side guards** are plastic accessories to be inserted into the belt structure to retain the product laterally, avoiding overflows and frictions with the conveyor structure itself.

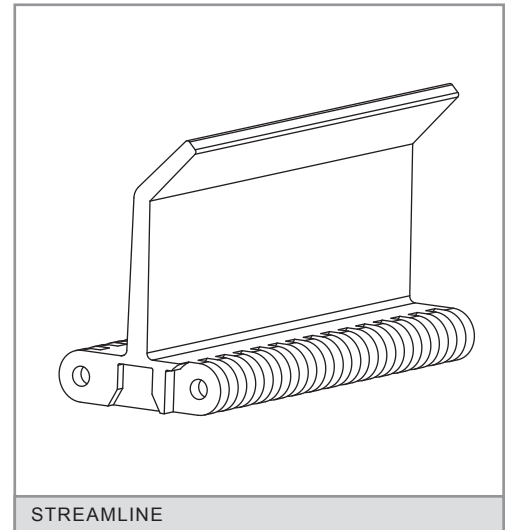
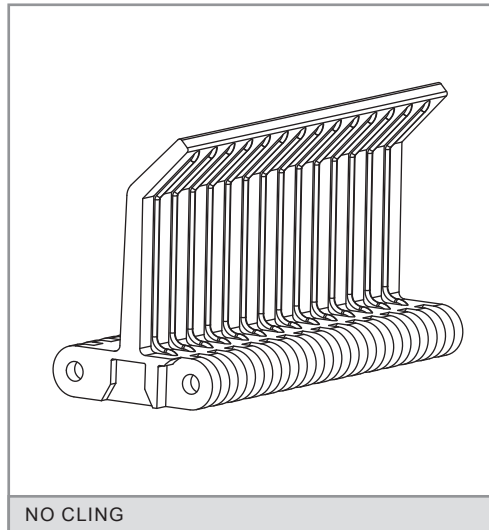
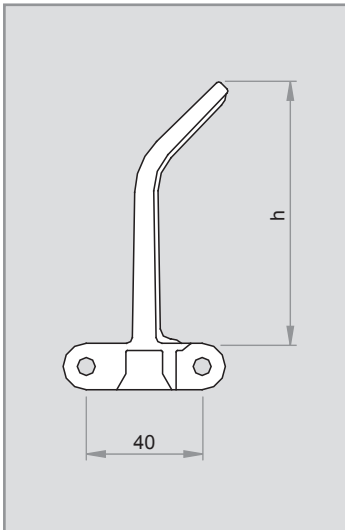
It is possible to cut down the standard height for special applications.

STRAIGHT FLIGHT [STREAMLINE + NO CLING]



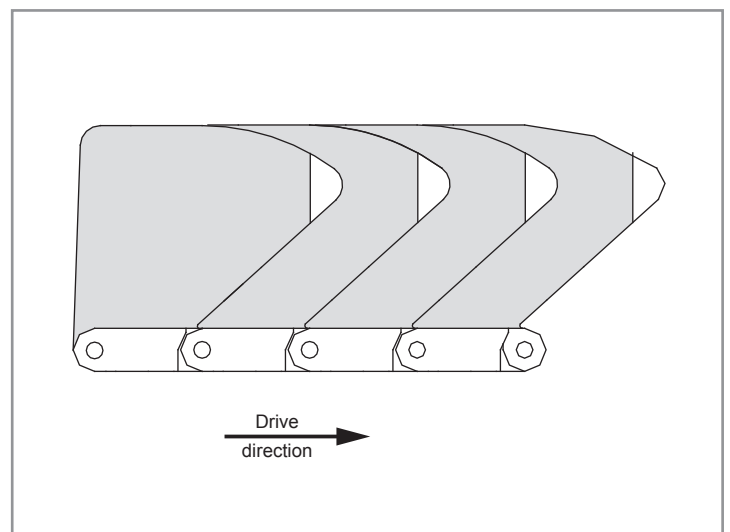
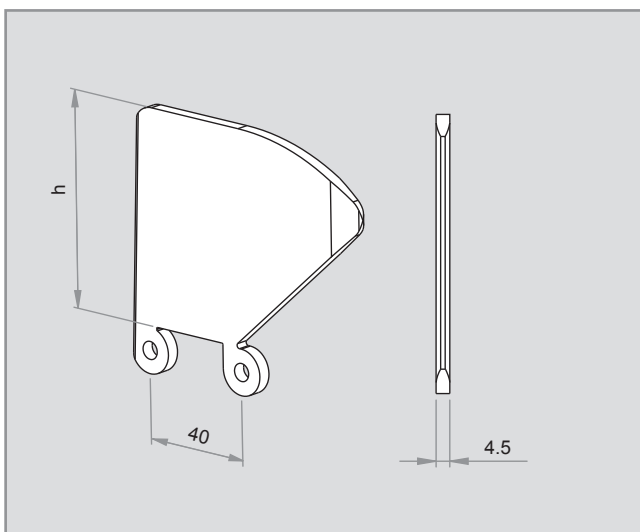
Accessories	Height (h)	Materials
Straight flight	25	Polypropylene
	50	Polyethylene
	75	Polyacetal
	100	

BENT FLIGHT



Accessories	Height (h)	Materials
Bent Flight	45	Polypropylene
	70	Polyethylene
	90	Polyacetal

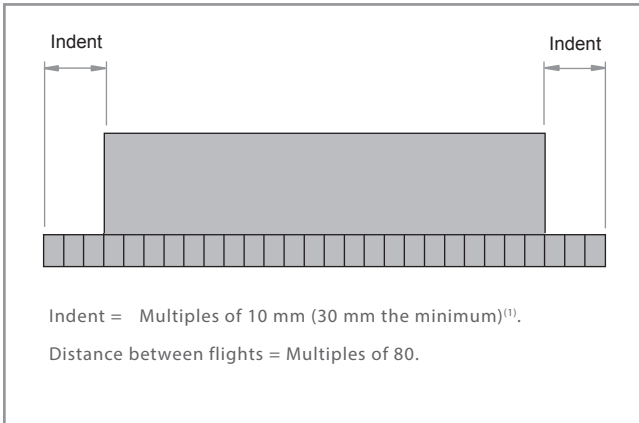
SIDE GUARDS



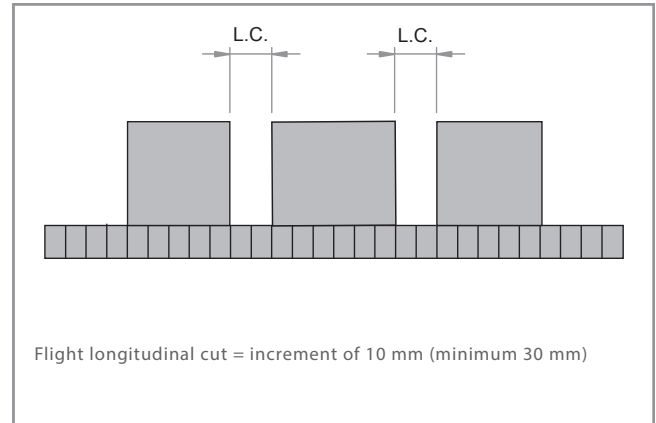
Accessories	Height (h)	Materials
Side guards	50	Polypropylene
	75	Polyethylene
	100	Polyacetal

TECHNICAL DATA [FLIGHTS AND SIDE GUARDS]

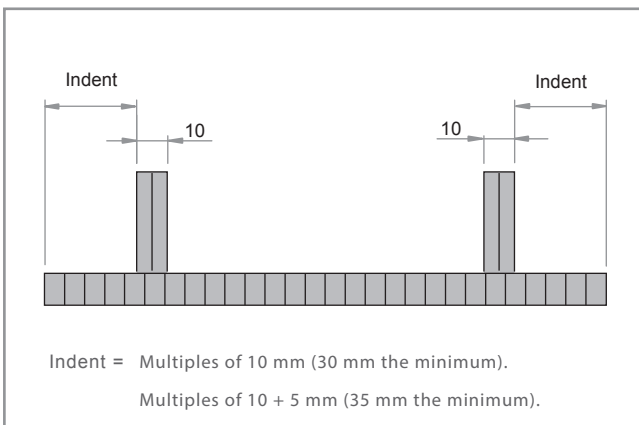
BELT ONLY WITH FLIGHTS



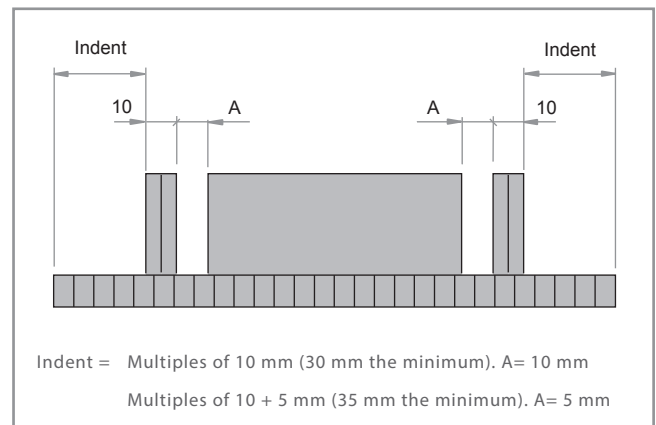
BELT WITH LONGITUDINAL CUTS



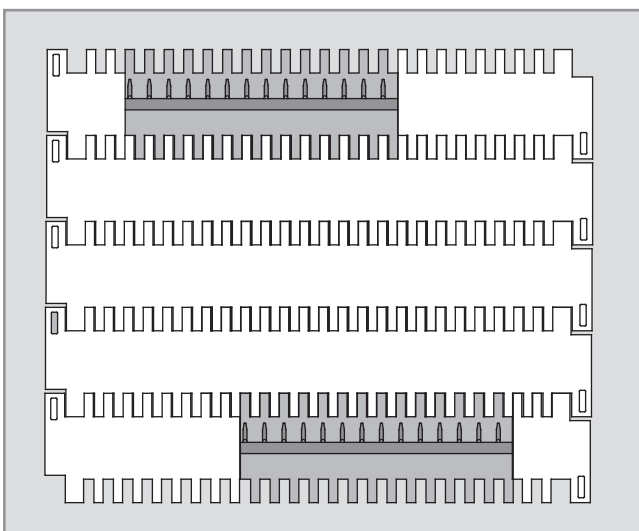
BELT ONLY WITH SIDE GUARDS



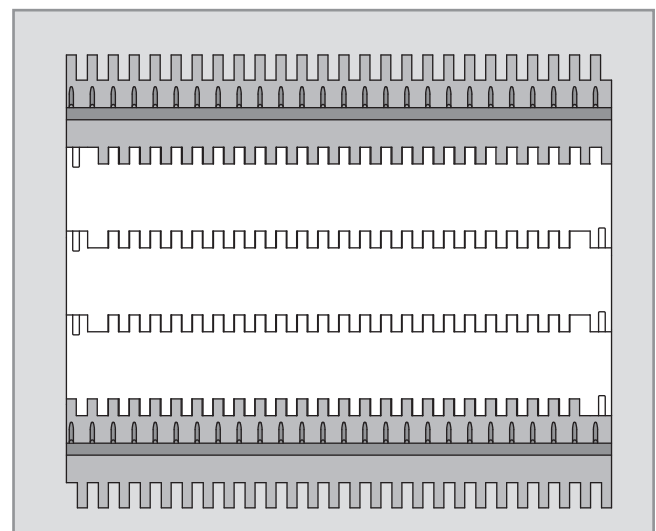
BELT WITH FLIGHTS AND SIDE GUARDS



BELT WITH ZIGZAG FLIGHTS

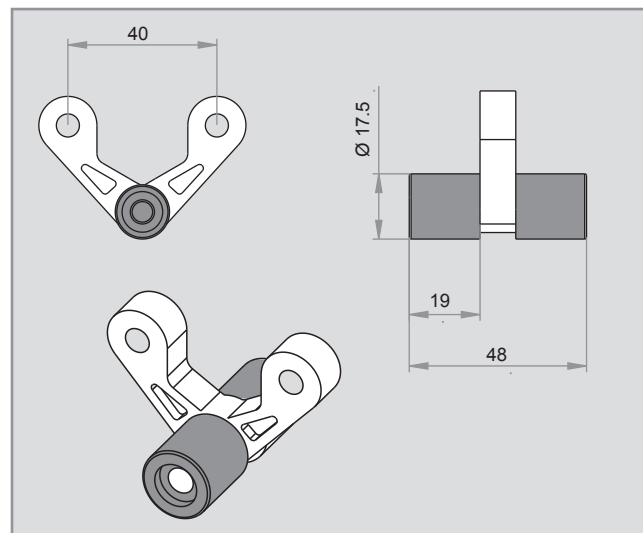


BELT WITH FLIGHTS, WITHOUT INDENT



⁽¹⁾ Ask for the possibility of shaping your belt with a smaller indent than that recommended.

ACCESSORIES [HOLD-DOWN ROLLERS]



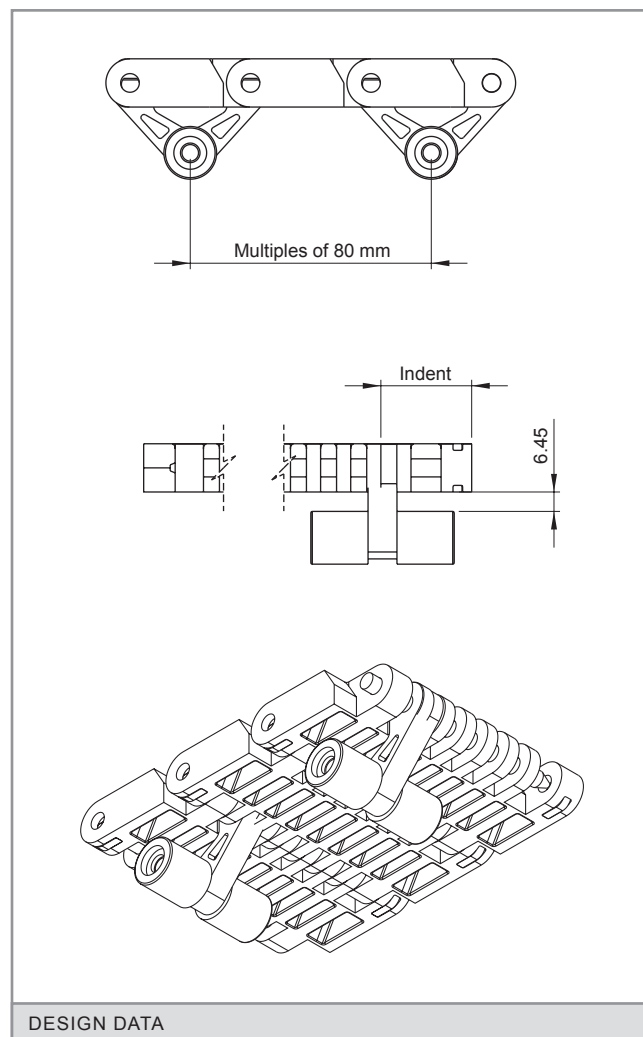
They are used to fasten the belt to the conveyor in all the inflexions.

In applications in which the belt must be submerged, they are placed in the middle of the belt to prevent it from getting bent due to the flotation.

They will roll along rails fastened throughout the conveyor structure. It is recommended to place wearstrips to avoid the wear owing to rolling as far as possible.

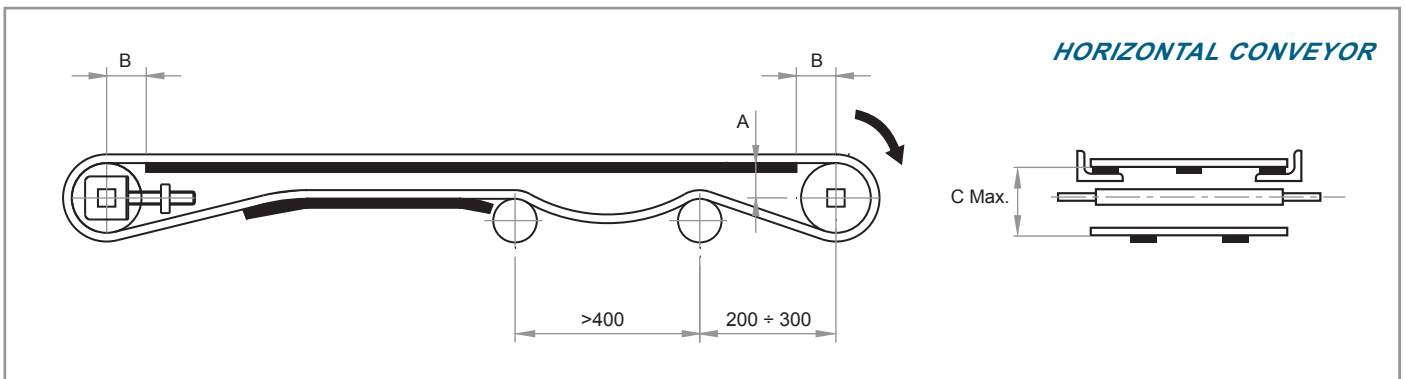
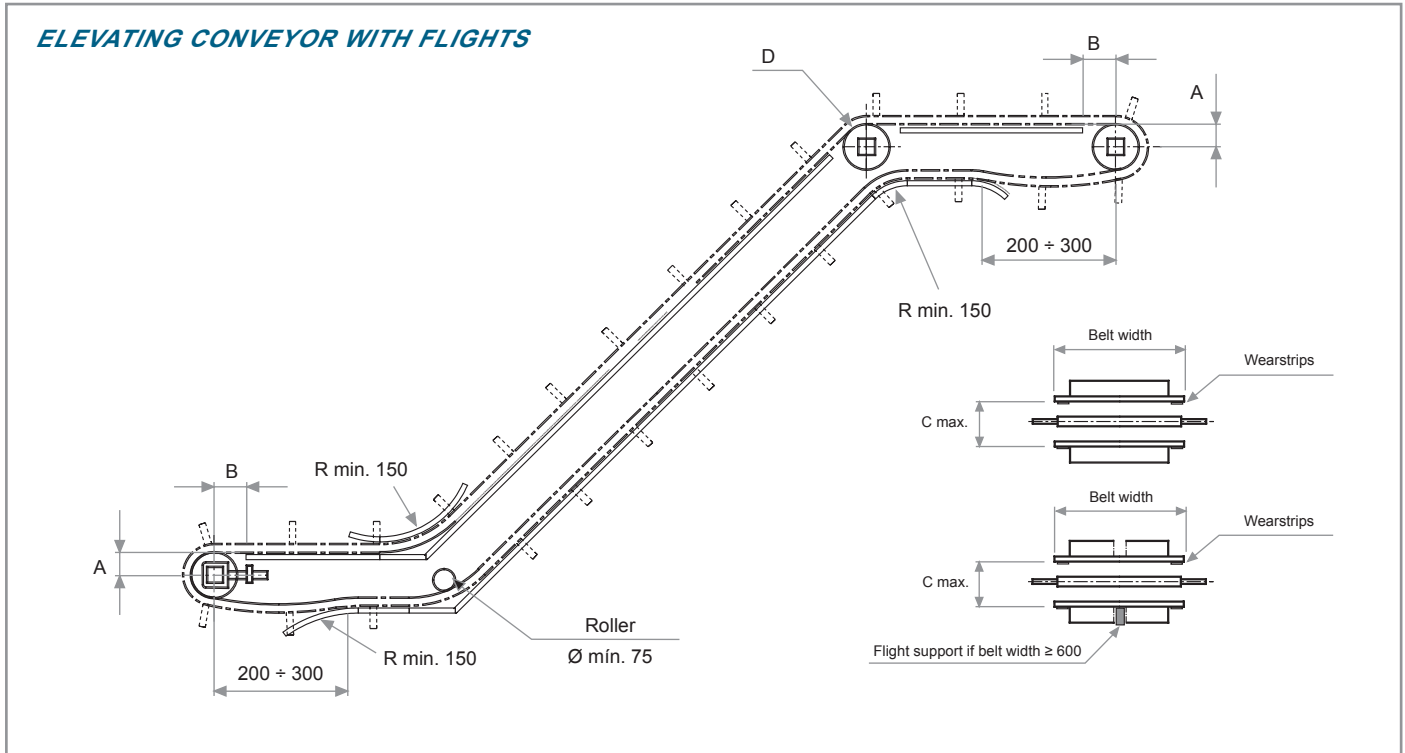
The distance between the side edge of the belt and the centre of the hold-down roller (indent) must be a multiple of 5 mm. Hold-down rollers cannot be used with the following sprockets:

N° of teeth T	Bore for square shaft
8	40
10	60



DESIGN DATA

CONSTRUCTION DATA [CONVEYOR]



[A] Distance between the sliding surface of the belt and the centre of the shaft.

[B] Distance between the vertical of the shaft and the beginning of the sliding surface.

[C] Distance between the sliding surface of the belt and the support of the return way.

[D] If sprockets are used in the inflexion shaft, do not retain the central one.

[R] This radius must be as big as allowed by the application in order to minimize the wear (min. 150 mm). For belts with side guards, consult about this radius.

In the construction of conveyors, the distances appearing in the chart below must be respected according to the belt Series and the size of the sprockets.

N° of teeth T	Ø Pitch	A	B max.	C max.
8	104.5	43	45	105
10	129.4	56	55	130
13	167.1	75	70	165
16	205	94	80	205
20	255.7	120	90	255

TABLE OF SPROCKETS AND WEARSTRIPS

Belt nominal width (mm)		Minimum quantity of sprockets per shaft	Minimum quantity of wearstrips	
			Transport way	Return way
60	150	1	2	2
160	450	3	2	2
460	750	5	3	2
760	1,050	7	5	3
1,060	1,350	9	6	4
1,360	1,650	11	7	5
1,660	1,950	13	9	6
1,960	2,250	15	10	7
2,260	2,550	17	11	8
2,560	2,850	19	12	9
2,860	3,150	21	14	10
3,160	3,450	23	15	11
3,460	3,750	25	16	12
3,760	4,050	27	18	13

To calculate the necessary minimum quantity of sprockets for the drive shaft as well as for the idle one, the next formula has been used:

$$\text{Minimum quantity} = \frac{\text{Belt width (mm)}}{150 \text{ mm}}$$

This amount must always be odd.

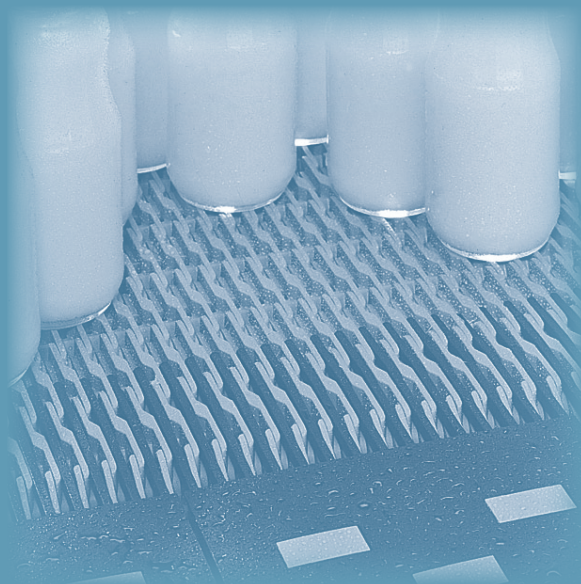
To calculate the quantity of supports, the weight of the product to be transported must be taken into account.

The distance between supports should not exceed 230 mm in the transport way or 300 mm in the return way.



SERIES E41

RAISED RIB

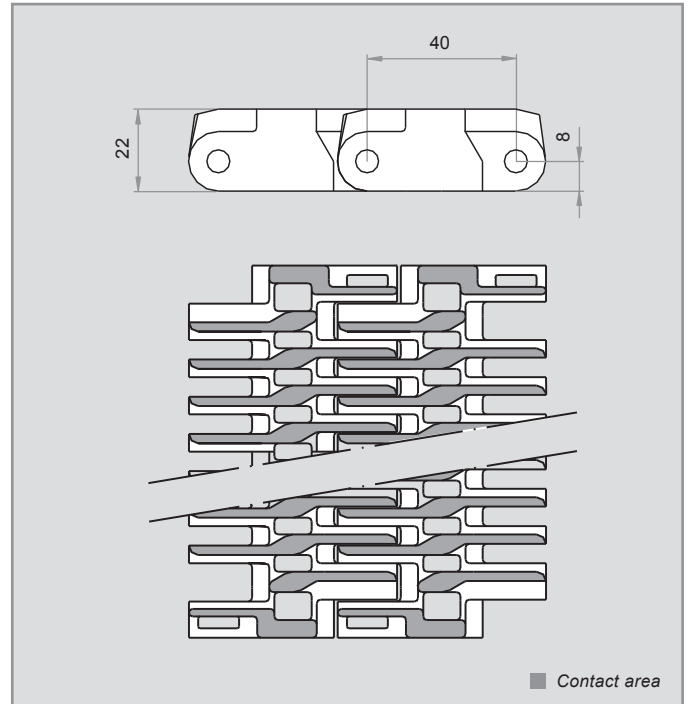
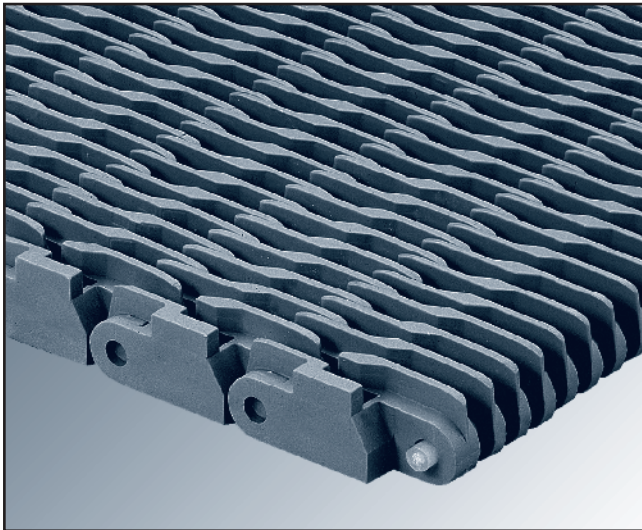




SERIES E41

RAISED RIB

SERIES E41 RAISED RIB



Eurobelt Series E41 Raised Rib conveyor belt, given its configuration of projecting ribs, enables us to make product transfers by using finger plates.

The central reinforcement of the ribs allows the lateral entrance of cans, glass jars, or containers in general, avoiding their overturning as well as any damage in the belt surface.

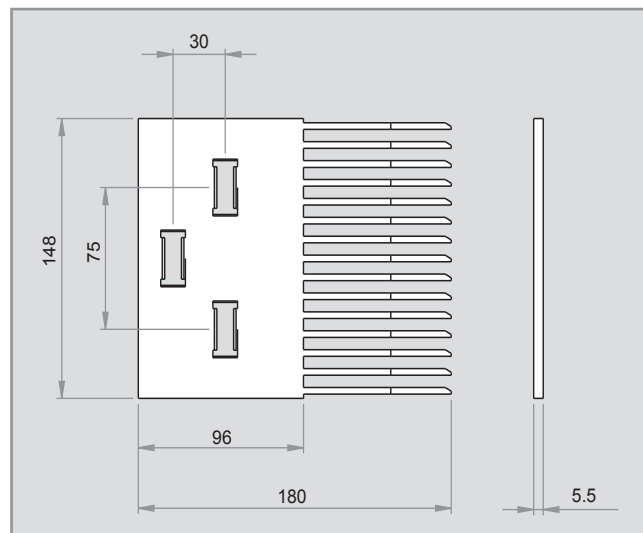


Pitch	40 mm
Surface	Raised Rib
Open area	25 %
Contact area	31 %
Maximum opening (approx.)	[10 x 7.5] mm
Thickness	22 mm
Drive system	Central
Belt width	Multiples of 10 mm
Rod diameter	Ø 6 mm
Retention system	Cap

Material of the belt	Material of the rod	Belt strength (kg/m)	Temperature range (°C)	Belt weight (kg/m ²)	Available colours in stock
PP - Polypropylene	PP - Polypropylene	3,600	+1 to +104	12.03	[G]

Colours: [W] White - [G] Grey - [B] Blue - [N] Natural - [O] Black. // The materials and colours that are normally in stock are those above indicated. In special cases in which it is needed a belt in a material or colour different from those above mentioned, you should ask directly to EUROBELT.

ACCESSORIES [FINGER PLATES]



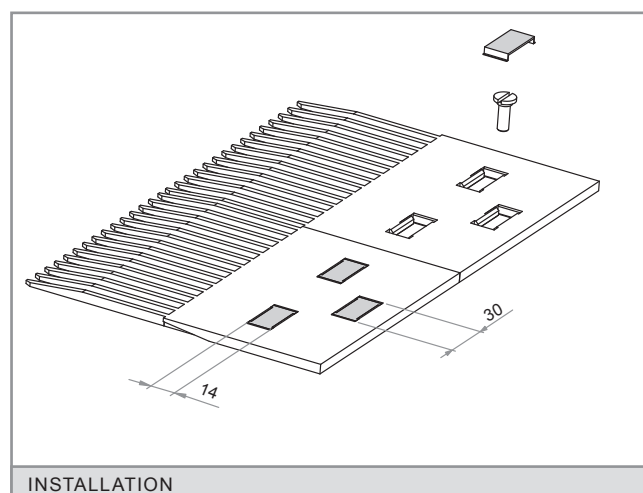
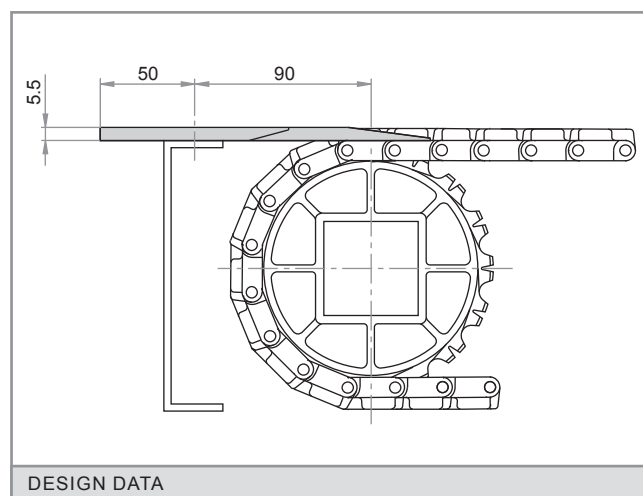
They have been designed to be used with the Raised Rib belts in applications in which it is necessary to transfer the product by means finger plates.

The finger plates are manufactured in nylon and acetal. They have 15 teeth that hide among the projecting ribs of the belt, allowing the constant flow of product as the belt is engaged. They avoid the use of conventional dead plates and consequently the problems by stumbling and fall of the product.

They have three fastening holes that enable little displacements to achieve a better coupling with the belt.

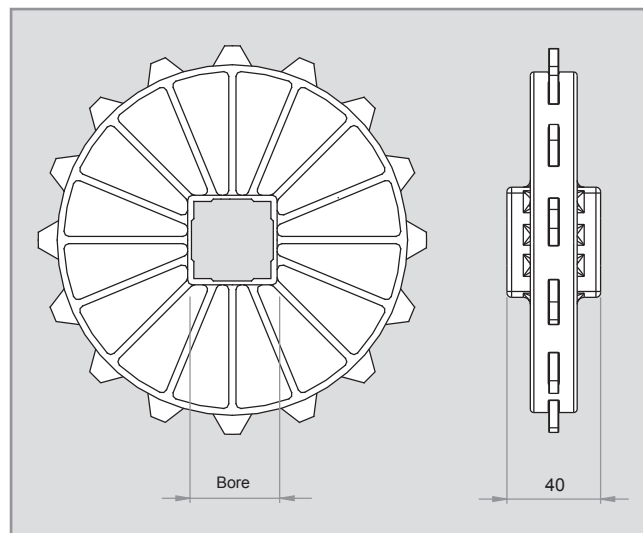
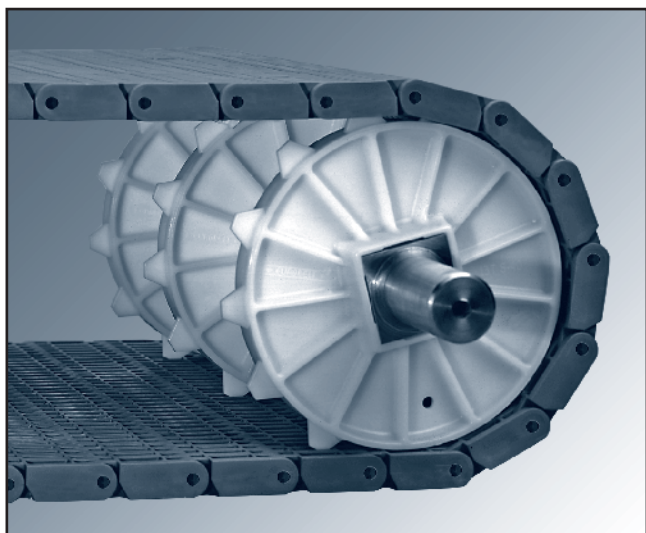
Those holes are located so that they reduce to the minimum the vibrations owing to the turn of the belt over the sprockets.

The finger plates can be easily installed in the structure of the conveyor putting a screw in each hole. The dimensions of these screws are: M 6 x 19 mm.



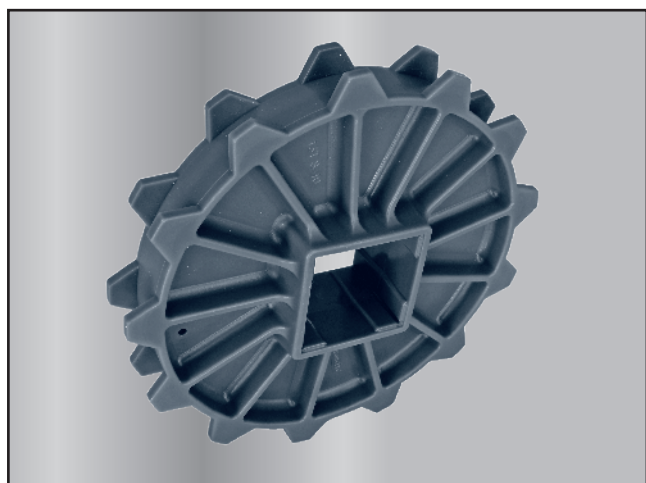
Materials / Colours	N° of teeth	N° of holes
Nylon / Black	15	3
Polyacetal / Grey		

ACCESSORIES [SPROCKETS]



N° of teeth T	Ø Pitch	Bore for square shaft		Hub width	Materials
		mm	inch		
8	104.5	40	1.5"	40	Polypropylene Polyacetal Stainless steel
10	129.4	40 60	1.5"	40	
13	167.1	40 60	1.5"	40	
16	205	40 60	1.5"	40	
20	255.7	40 60 90	1.5"	40	

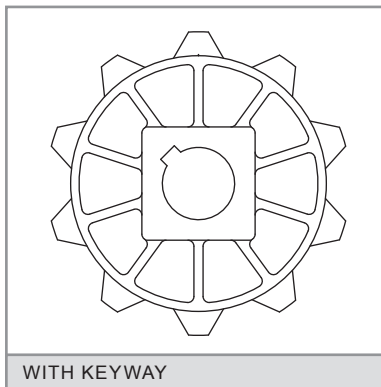
DOUBLE-TOOTHED SPROCKET



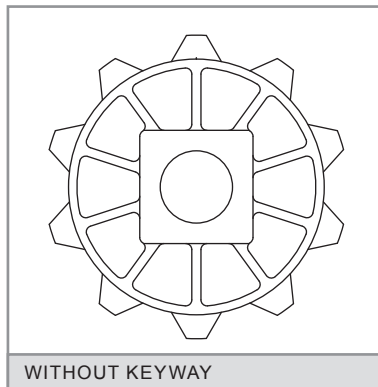
N° of teeth T	13
Ø Pitch	167.1
Bore for square shaft (mm)	40 60
Bore for square shaft (inch)	1.5" 2.5"
Hub width	40
Materials	Polypropylene Polyacetal

ACCESSORIES [[SPROCKETS AND RETAINING RINGS]

SPROCKETS FOR SQUARE SHAFT



WITH KEYWAY



WITHOUT KEYWAY

We have plastic sprockets for round shaft with and without keyway. We also have sprockets to be used with motor drum in applications needing a special cleaning or in conveyors in which it is not possible to place the motor in the outside due to problems of space or safety.

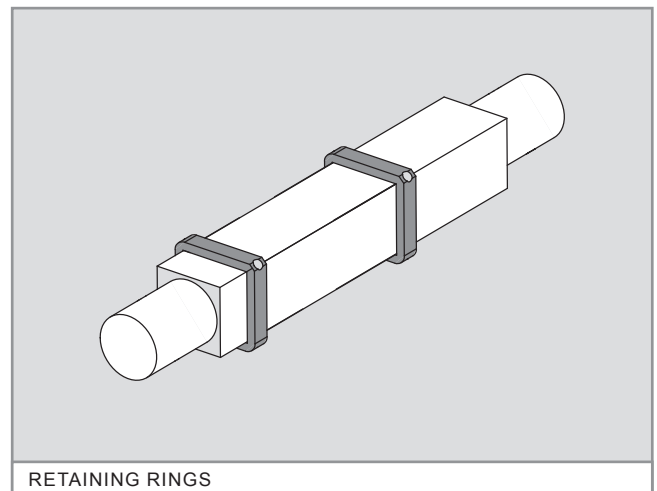
INSTALLATION

These rings are placed at every side of the central sprocket to fasten it to the shaft in order to avoid any lateral movements of the belt.

They are manufactured in AISI 316 stainless steel and they are fixed by means of a set screw stuffed in the ring itself.

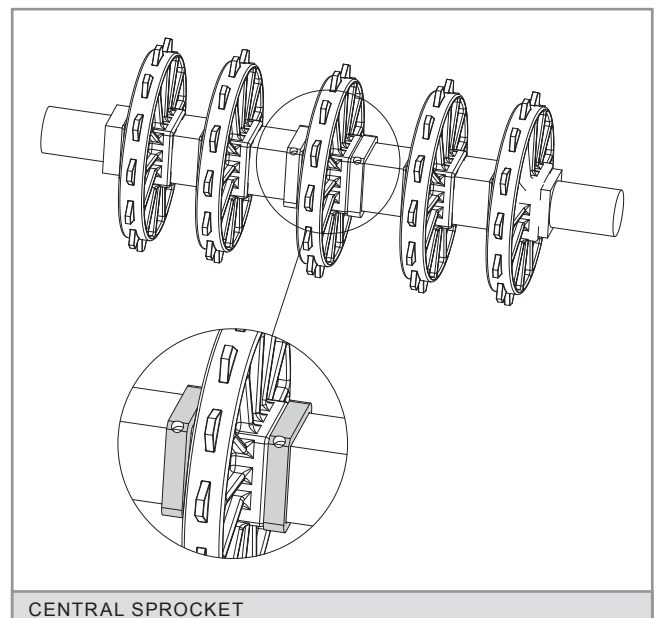
One sprocket, duly fixed with 2 retaining rings, should be put in the centre. Then you should place the same quantity of sprockets at every side of the central one but without any fixing, as they will absorb the possible belt expansions and contractions.

The same procedure should be carried out in both shafts.



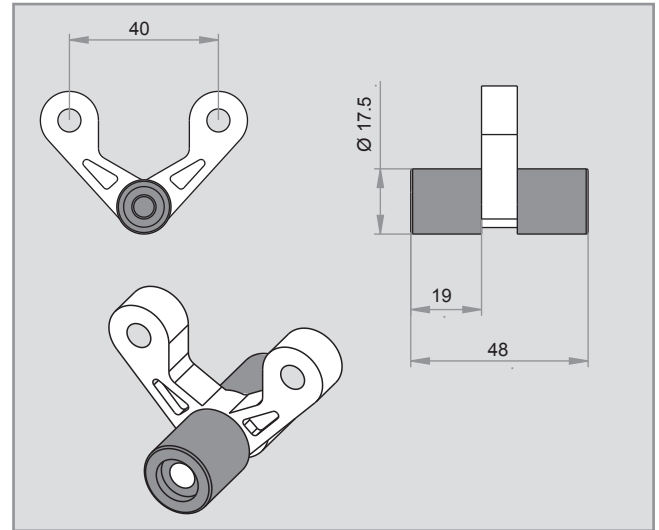
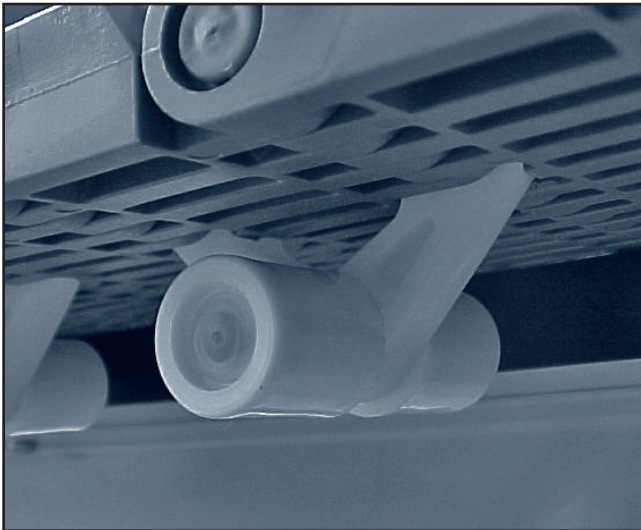
RETAINING RINGS

Bore for square shaft	Screws
40	M 6 x 6
60	M 6 x 6
90	M 6 x 6



CENTRAL SPROCKET

ACCESSORIES [HOLD-DOWN ROLLERS]



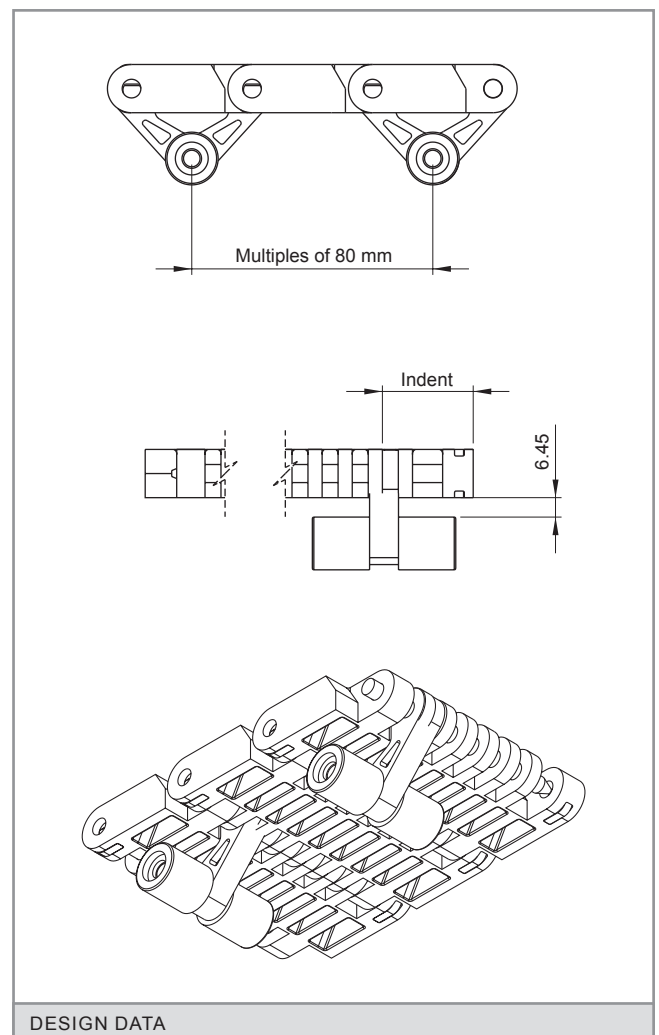
They are used to fasten the belt to the conveyor in all the inflexions.

In applications in which the belt must be submerged, they are placed in the middle of the belt to prevent it from getting bent due to the flotation.

They will roll along rails fastened throughout the conveyor structure. It is recommended to place wearstrips to avoid the wear owing to rolling as far as possible.

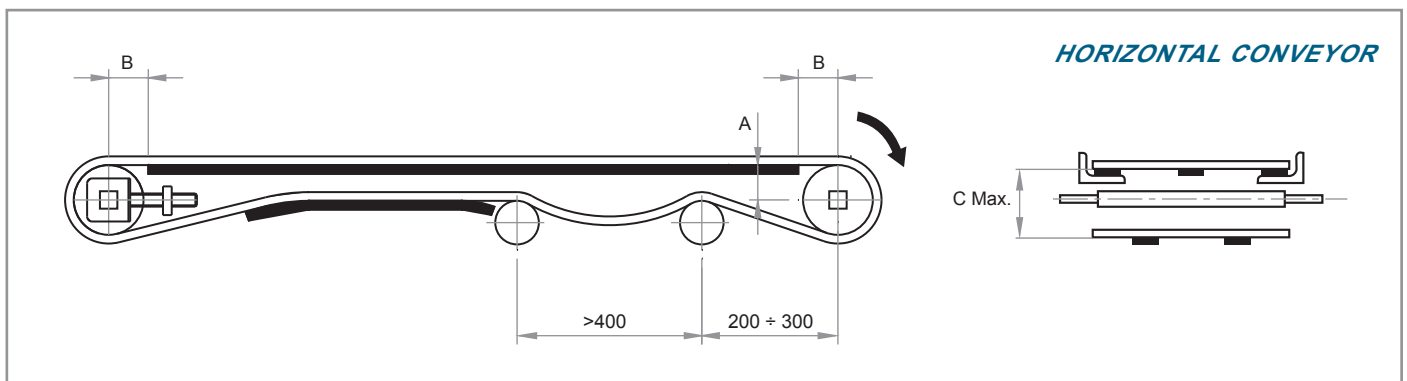
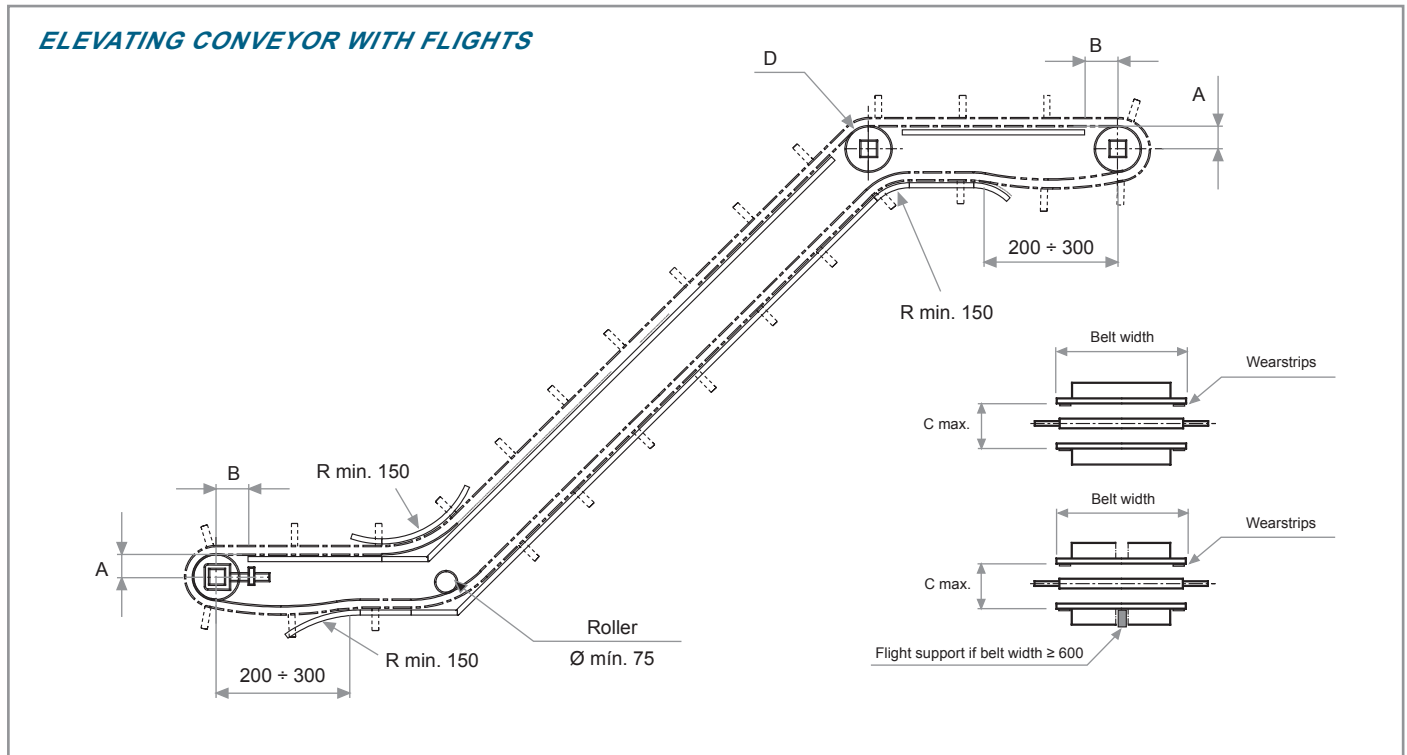
The distance between the side edge of the belt and the centre of the hold-down roller (indent) must be a multiple of 5 mm. Hold-down rollers cannot be used with the following sprockets:

N° of teeth T	Bore for square shaft
8	40
10	60



DESIGN DATA

CONSTRUCTION DATA [CONVEYOR]



[A] Distance between the sliding surface of the belt and the centre of the shaft.

[B] Distance between the vertical of the shaft and the beginning of the sliding surface.

[C] Distance between the sliding surface of the belt and the support of the return way.

[D] If sprockets are used in the inflexion shaft, do not retain the central one.

[R] This radius must be as big as allowed by the application in order to minimize the wear (min. 150 mm). For belts with side guards, consult about this radius.

In the construction of conveyors, the distances appearing in the chart below must be respected according to the belt Series and the size of the sprockets.

N° of teeth T	Ø Pitch	A	B max.	C max.
8	104.5	43	45	105
10	129.4	56	55	130
13	167.1	75	70	165
16	205	94	80	205
20	255.7	120	90	255

TABLE OF SPROCKETS AND WEARSTRIPS

Belt nominal width (mm)		Minimum quantity of sprockets per shaft	Minimum quantity of wearstrips	
			Transport way	Return way
60	150	1	2	2
160	450	3	2	2
460	750	5	3	2
760	1,050	7	5	3
1,060	1,350	9	6	4
1,360	1,650	11	7	5
1,660	1,950	13	9	6
1,960	2,250	15	10	7
2,260	2,550	17	11	8
2,560	2,850	19	12	9
2,860	3,150	21	14	10
3,160	3,450	23	15	11
3,460	3,750	25	16	12
3,760	4,050	27	18	13

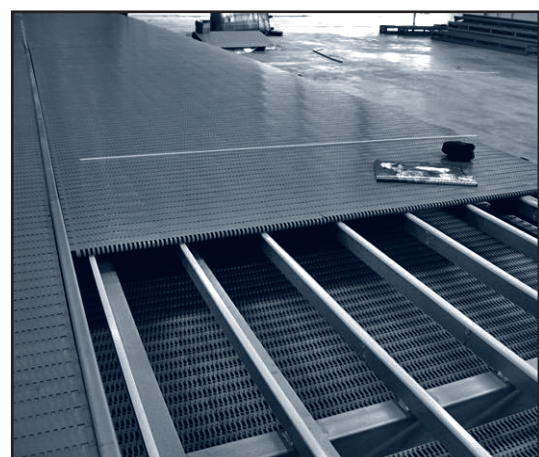
To calculate the necessary minimum quantity of sprockets for the drive shaft as well as for the idle one, the next formula has been used:

$$\text{Minimum quantity} = \frac{\text{Belt width (mm)}}{150 \text{ mm}}$$

This amount must always be odd.

To calculate the quantity of supports, the weight of the product to be transported must be taken into account.

The distance between supports should not exceed 230 mm in the transport way or 300 mm in the return way.



APPLICATIONS



ACCUMULATION TABLES



PASTEURISERS



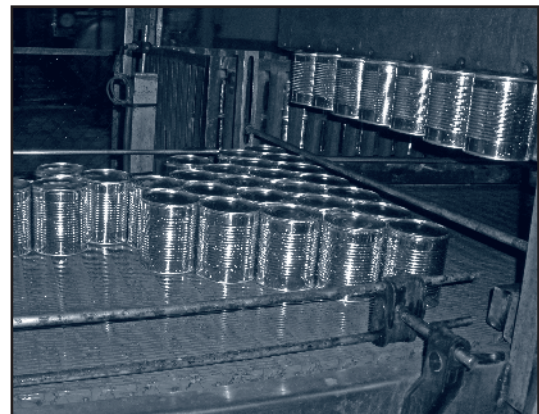
ACCUMULATION TABLES



PASTEURISERS



ACCUMULATION TABLES



PALLETISERS

SERIES E50



CONIC FRICTION

CONIC

TRIAN FRICTION

SLIDING ROLLERS

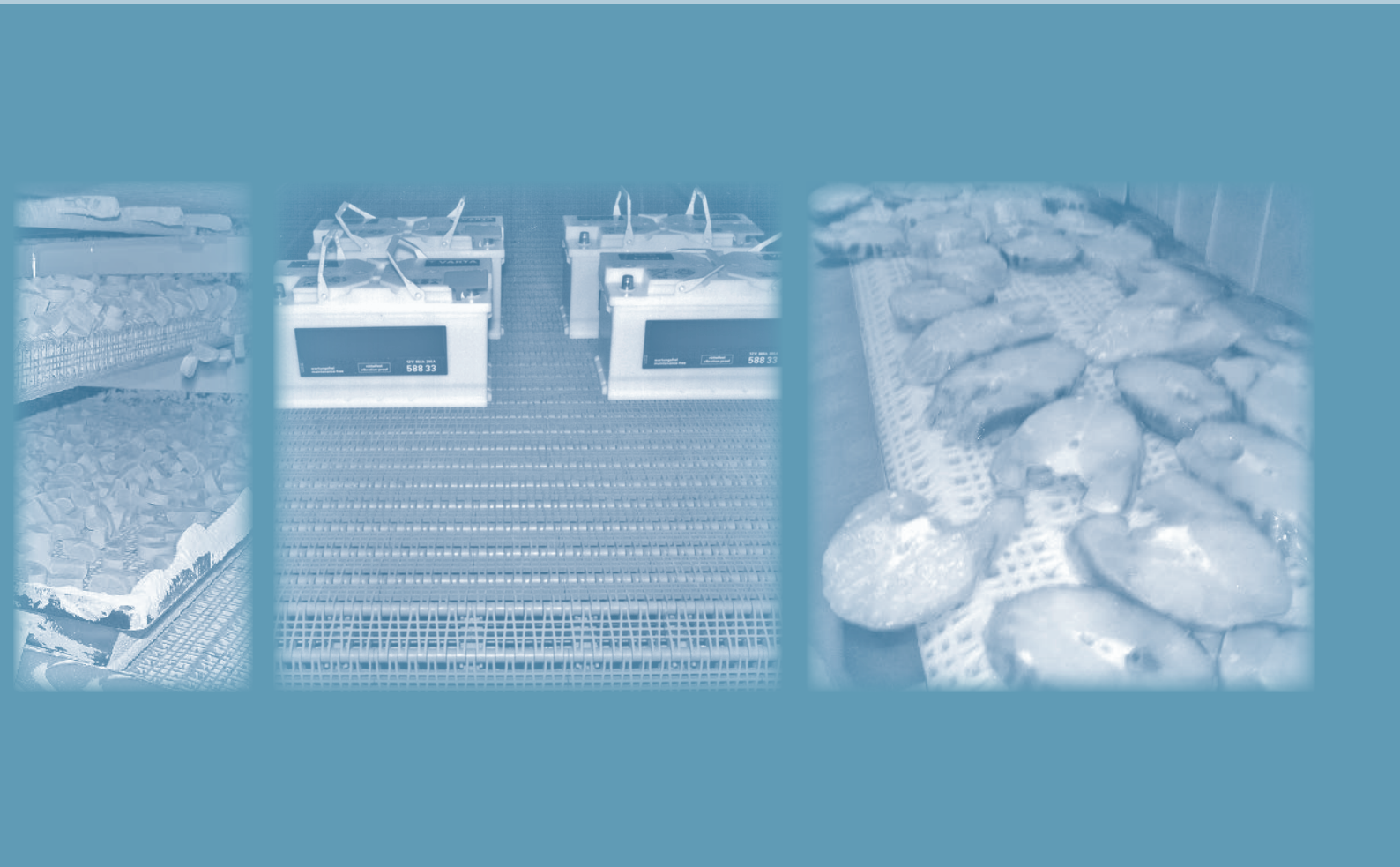
FLAT TOP

FLUSH GRID

PERFORATED FLAT TOP

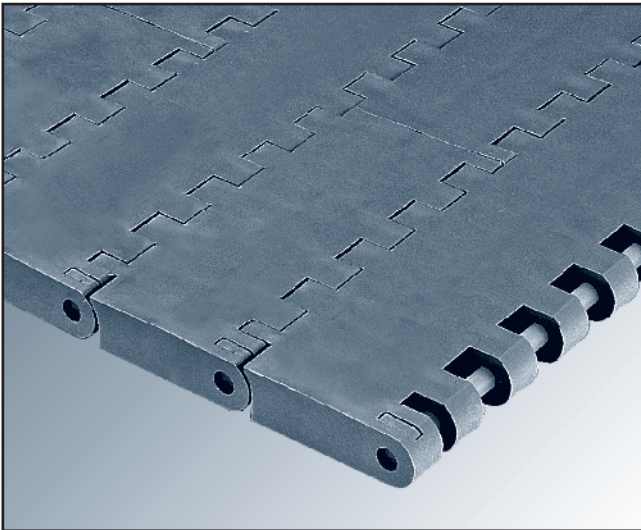
OPEN GRID

KNURLED



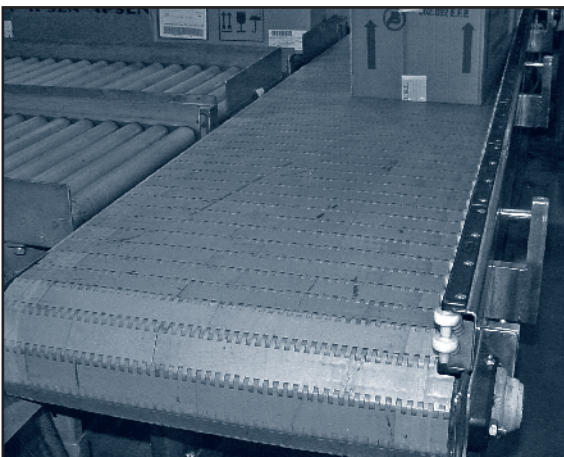
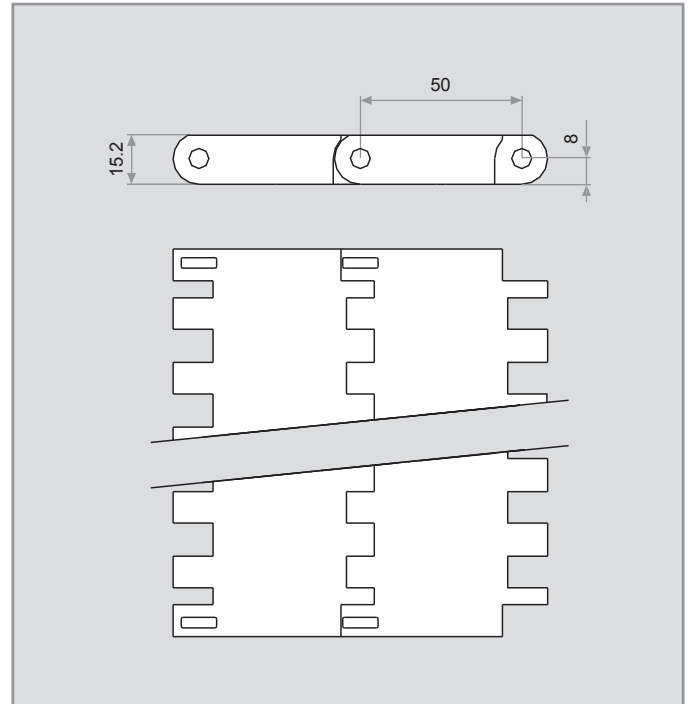
SERIES E50

SERIES E50 FLAT TOP



Eurobelt Series E50 Flat Top, due to its closed surface, completely flat and smooth, avoids any damage and overturn in the product, as well as the resulting line blockage.

It is the conveyor belt most commonly used in elevating conveyors for products in bulk, and in delicate product conveyance.

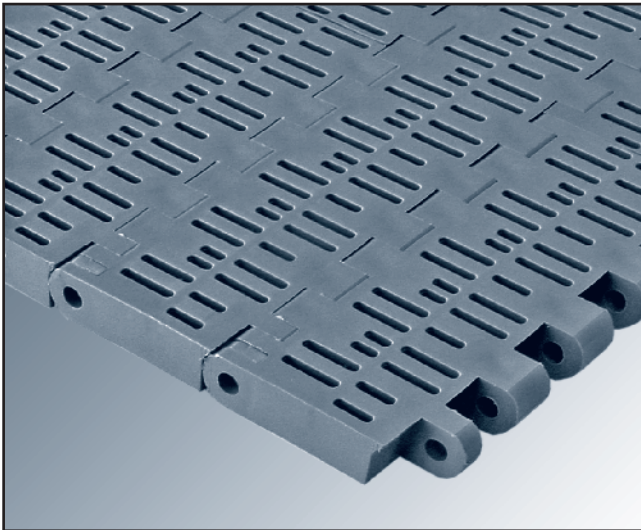


Pitch	50 mm
Surface	Flat Top
Open area	0 %
Thickness	15.2 mm
Drive system	Hinge
Belt width	Multiples of 20 mm
Rod diameter	Ø 6 mm
Retention system	Cap

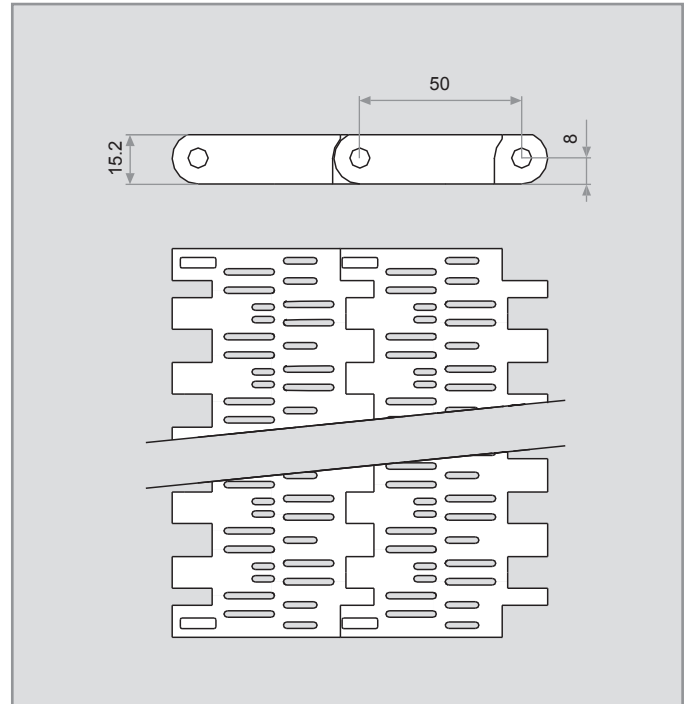
Material of the belt	Material of the rod	Belt strength (kg/m)	Temperature range (°C)	Belt weight (kg/m ²)	Available colours in stock
PP - Polypropylene	PP - Polypropylene	1,800	+1 to +104	7.70	[W] - [G]
PE - Polyethylene	PE - Polyethylene	1,100	-50 to +65	8.04	[N] - [B]

Colours: [W] White - [G] Grey - [B] Blue - [N] Natural - [O] Black. // The materials and colours that are normally in stock are those above indicated. In special cases in which it is needed a belt in a material or colour different from those above mentioned, you should ask directly to EUROBELT.

SERIES E50 PERFORATED FLAT TOP



Eurobelt Series E50 Perforated Flat Top has an 18% open area, a completely smooth surface, and grille-shaped small straight holes without structural obstacles, to make easy the drainage of any liquid.

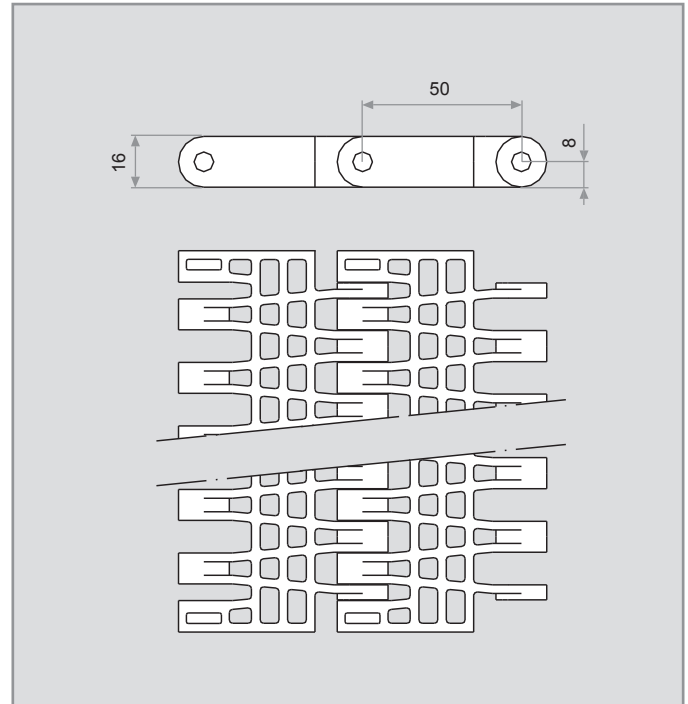
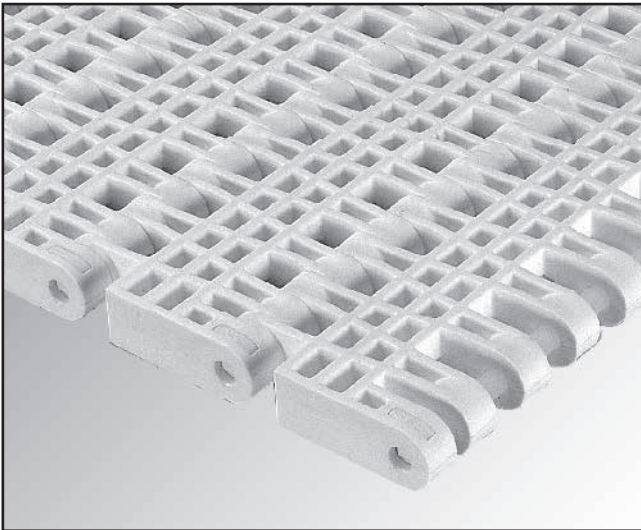


Pitch	50 mm
Surface	Perforated Flat Top
Open area	18 %
Dimensions of openings	[15 x 2] - [9 x 2] - [6 x 1.8] mm
Thickness	15.2 mm
Drive system	Hinge
Belt width	Multiples of 20 mm
Rod diameter	Ø 6 mm
Retention system	Cap

Material of the belt	Material of the rod	Belt strength (kg/m)	Temperature range (°C)	Belt weight (kg/m ²)	Available colours in stock
PP - Polypropylene	PP - Polypropylene	1,800	+1 to +104	7.35	[W] - [G]
PE - Polyethylene	PE - Polyethylene	1,100	-50 to +65	7.67	[N] - [B]

Colours: [W] White - [G] Grey - [B] Blue - [N] Natural - [O] Black. // The materials and colours that are normally in stock are those above indicated. In special cases in which it is needed a belt in a material or colour different from those above mentioned, you should ask directly to EUROBELT.

SERIES E50 FLUSH GRID



Eurobelt Series E50 Flush Grid has a grille-shaped configuration, with a 40% open area, and a completely smooth surface. It is ideal for applications in which there are a lot of debris of the conveyed product, as their removal is very easy by means of air or water under pressure.

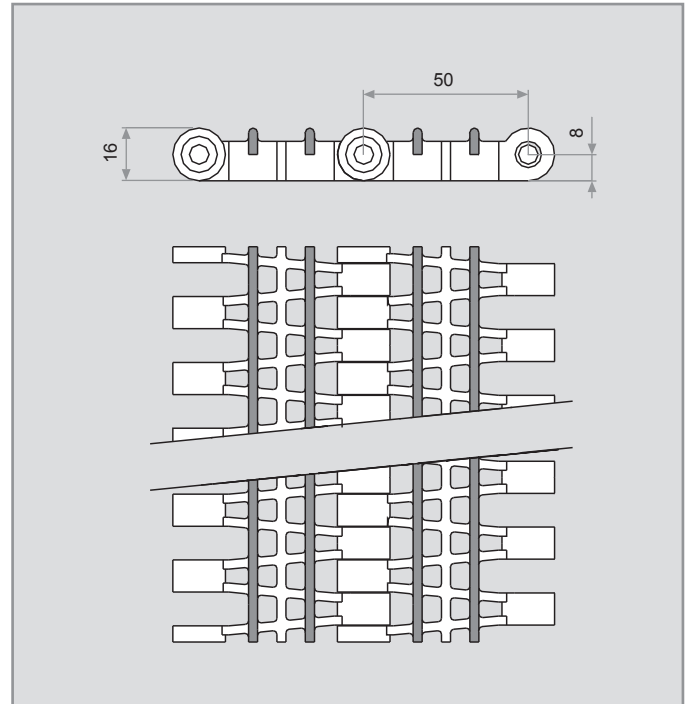
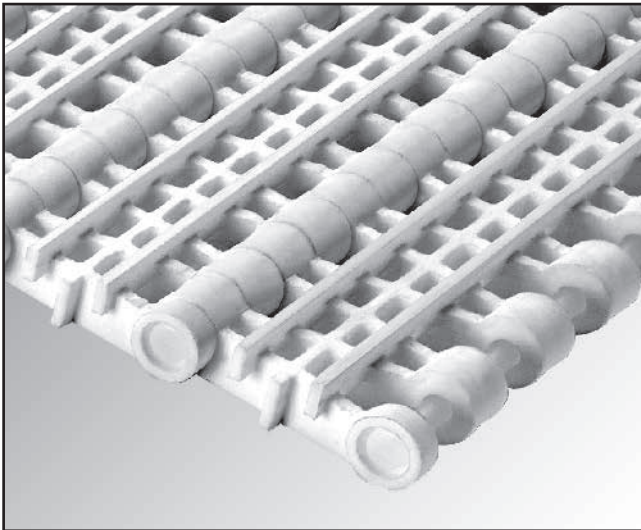


Pitch	50 mm
Surface	Flush Grid
Open area	40 %
Maximum opening (approx.)	[7 x 12.6] mm
Thickness	16 mm
Drive system	Hinge
Belt width	Multiples of 20 mm
Advised minimum width	40 mm
Retention system	Cap

Material of the belt	Material of the rod	Belt strength (kg/m)	Temperature range (°C)	Belt weight (kg/m ²)	Available colours in stock
PP - Polypropylene	PP - Polypropylene	2,400	+1 to +104	7.30	[W] - [G]
PE - Polyethylene	PE - Polyethylene	1,500	-50 to +65	7.60	[N] - [B]

Colours: [W] White - [G] Grey - [B] Blue - [N] Natural - [O] Black. // The materials and colours that are normally in stock are those above indicated. In special cases in which it is needed a belt in a material or colour different from those above mentioned, you should ask directly to EUROBELT.

SERIES E50 OPEN GRID



Eurobelt Series E50 Open Grid, with a grille-shaped configuration, and a 40% open area, is suitable for applications in which drainage through the belt is required.

We have accomplished an exclusive design of this conveyor belt consisting of two transverse projections in the middle of every pitch to achieve the product do not adhere to the belt.

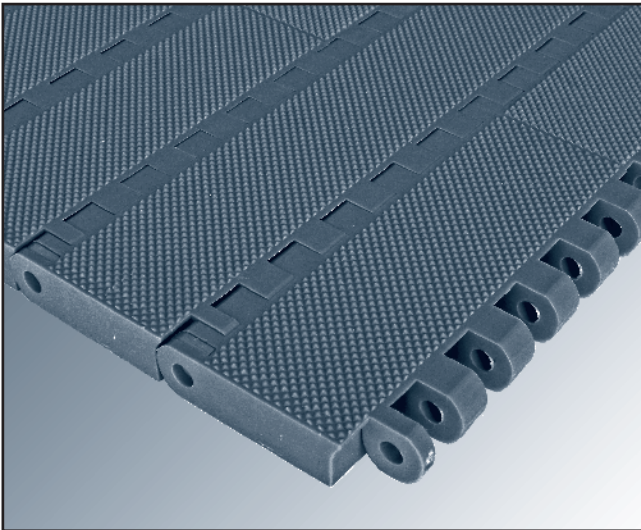


Pitch	50 mm
Surface	Open Grid
Open area	40 %
Maximum opening (approx.)	[6.7 x 10.3] mm
Thickness	16 mm
Drive system	Hinge
Belt width	Multiples of 20 mm
Rod diameter	Ø 6 mm
Retention system	Welded rod

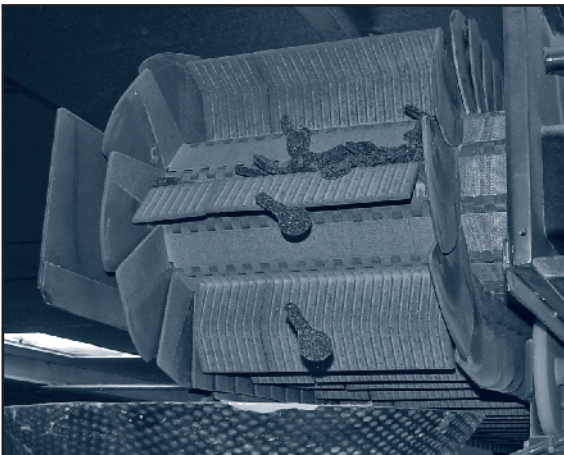
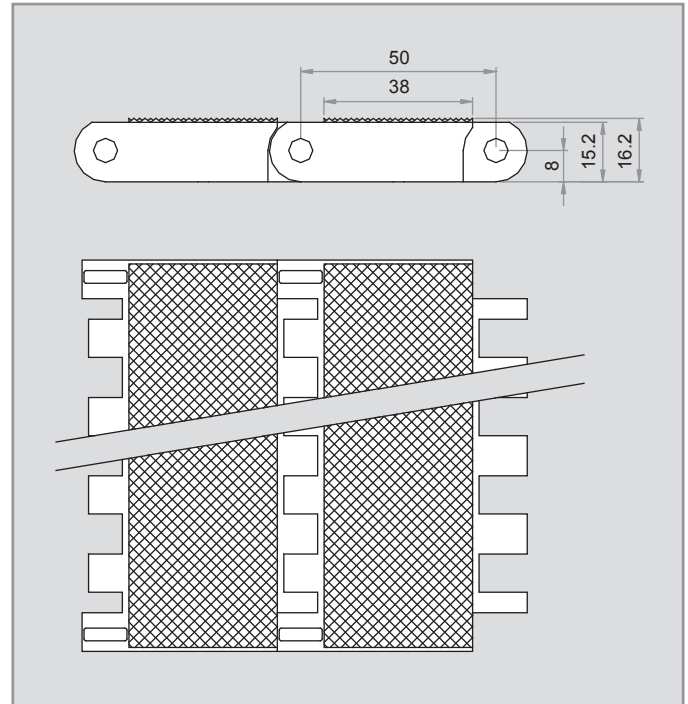
Material of the belt	Material of the rod	Belt strength (kg/m)	Temperature range (°C)	Belt weight (kg/m ²)	Available colours in stock
PP - Polypropylene	PP - Polypropylene	1,800	+1 to +104	6.60	[W] - [G]
PE - Polyethylene	PE - Polyethylene	1,100	-50 to +65	6.89	[N] - [B]

Colours: [W] White - [G] Grey - [B] Blue - [N] Natural - [O] Black. // The materials and colours that are normally in stock are those above indicated. In special cases in which it is needed a belt in a material or colour different from those above mentioned, you should ask directly to EUROBELT.

SERIES E50 KNURLED



Eurobelt Series E50 Knurled has a flat-corrugated surface that has been designed to prevent the conveyed product from adhering to the belt. Due to its corrugated surface, it is used in slightly inclined conveyors as well.

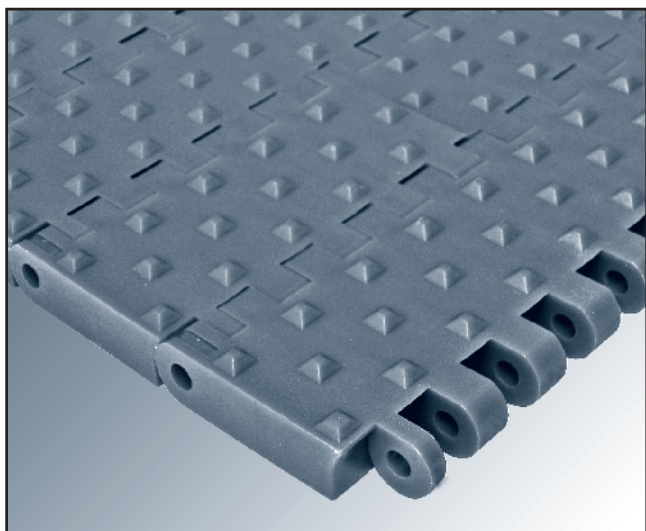


Pitch	50 mm
Surface	Knurled
Open area	0 %
Thickness	15.2 mm
Drive system	Hinge
Belt width	Multiples of 20 mm
Rod diameter	Ø 6 mm
Retention system	Cap

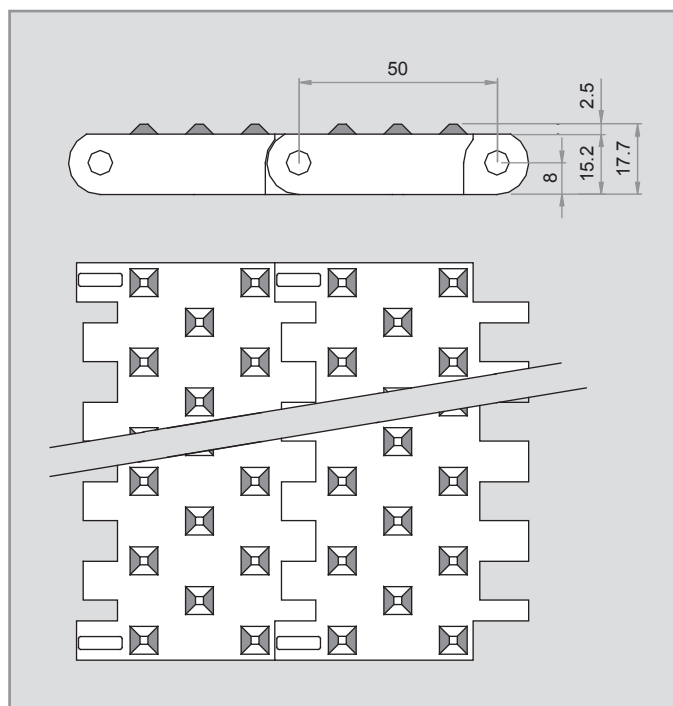
Material of the belt	Material of the rod	Belt strength (kg/m)	Temperature range (°C)	Belt weight (kg/m ²)	Available colours in stock
PP - Polypropylene	PP - Polypropylene	1,800	+1 to +104	7.30	[W] - [G]
AC - Polyacetal	PP - Polypropylene	2,500	-50 to +65	10.50	[B]

Colours: [W] White - [G] Grey - [B] Blue - [N] Natural - [O] Black. // The materials and colours that are normally in stock are those above indicated. In special cases in which it is needed a belt in a material or colour different from those above mentioned, you should ask directly to EUROBELT.

SERIES E50 CONIC



Eurobelt Series E50 Conic has a smooth surface with small pyramidal-shaped elevations that provide a greater coefficient of friction, as well as they avoid the slippery products to change their position during the conveyance.

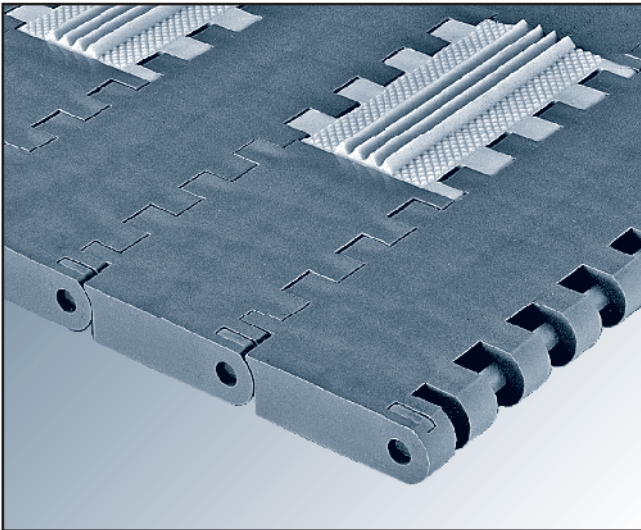


Pitch	50 mm
Surface	Conic
Open area	0 %
Thickness	15.2 mm
Drive system	Hinge
Belt width	Multiples of 20 mm
Rod diameter	Ø 6 mm
Retention system	Cap

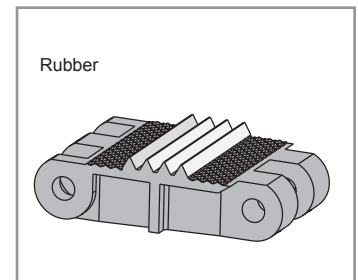
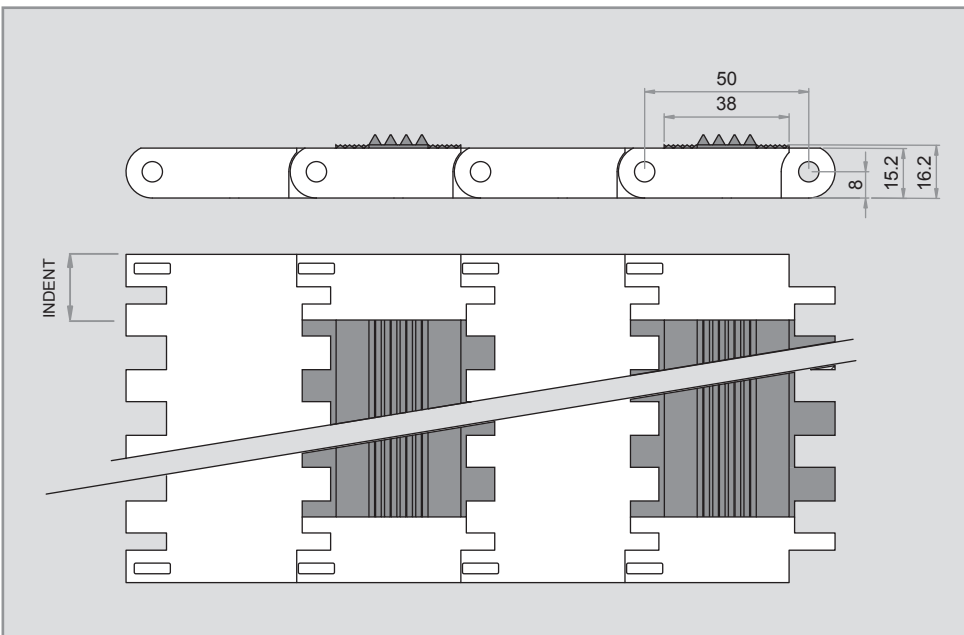
Material of the belt	Material of the rod	Belt strength (kg/m)	Temperature range (°C)	Belt weight (kg/m ²)	Available colours in stock
PP - Polypropylene	PP - Polypropylene	1,800	+1 to +104	7.70	[W] - [G]
PE - Polyethylene	PE - Polyethylene	1,100	-50 to +65	8.04	[N]
AC - Polyacetal	PP - Polypropylene	2,500	+1 to +90	10.80	[B]

Colours: [W] White - [G] Grey - [B] Blue - [N] Natural - [O] Black. // The materials and colours that are normally in stock are those above indicated. In special cases in which it is needed a belt in a material or colour different from those above mentioned, you should ask directly to EUROBELT.

SERIES E50 TRIAN FRICTION



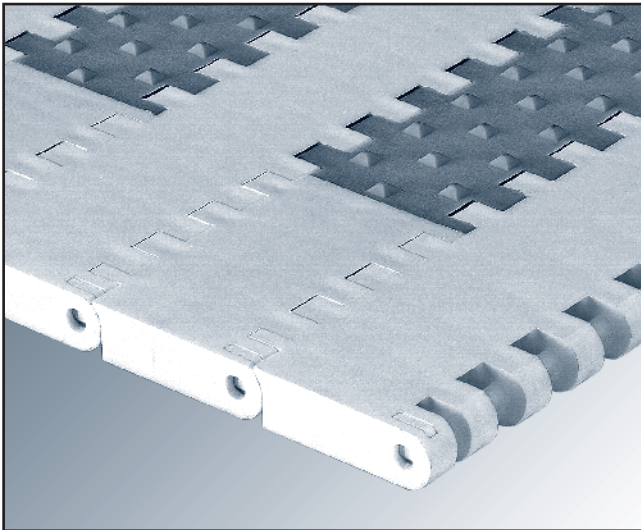
Pitch	50 mm
Surface	Trian Friction
Drive system	Hinge
Belt width	Multiples of 20 mm
Rod diameter	Ø 6 mm
Retention system	Cap
Rubber hardness grades	Shore A60
Indent	Multiples of 20 mm
Spacing of rubber lines	Multiples of 50 mm, minimum 100 mm



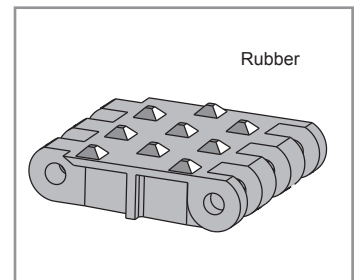
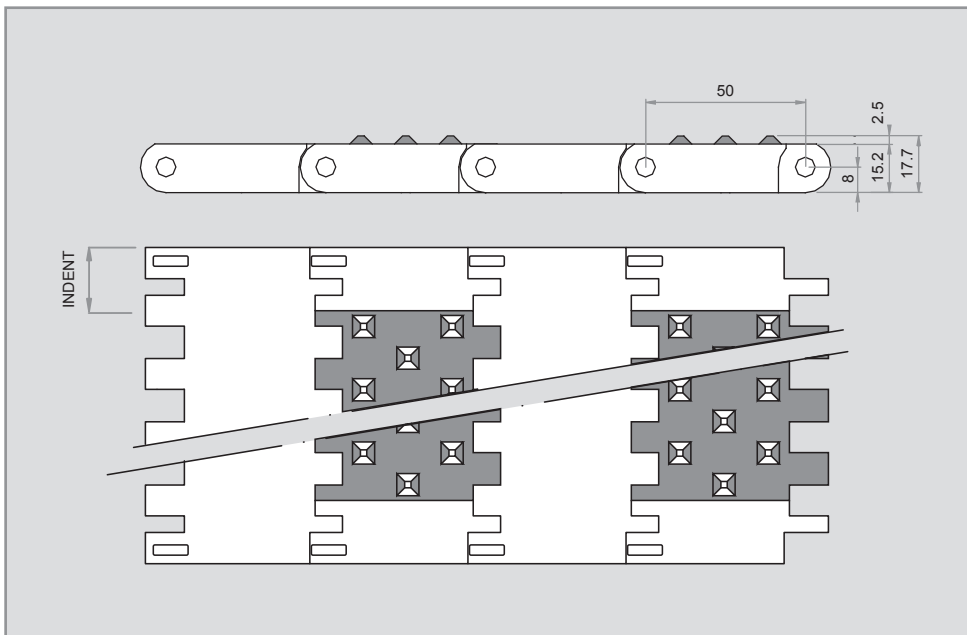
Surface of the belt	Material of the belt	Material of the rod	Belt strength (kg/m)	Temperature range (°C)	Available colours in stock
Trian Friction + Flat Top	PP - Polypropylene	PP - Polypropylene	1,800	+1 a +103	[W] - [G]
	PE - Polyethylene	PE - Polyethylene	1,100	-40 a +65	[N] - [B]
Trian Friction + Flush Grid	PP - Polypropylene	PP - Polypropylene	2,400	+1 a +103	[W] - [G]
	PE - Polyethylene	PE - Polyethylene	1,500	-40 a +65	[N] - [B]

Colours: [W] White - [G] Grey - [B] Blue - [N] Natural - [O] Black. // The materials and colours that are normally in stock are those above indicated. In special cases in which it is needed a belt in a material or colour different from those above mentioned, you should ask directly to EUROBELT.

SERIES E50 CONIC FRICTION



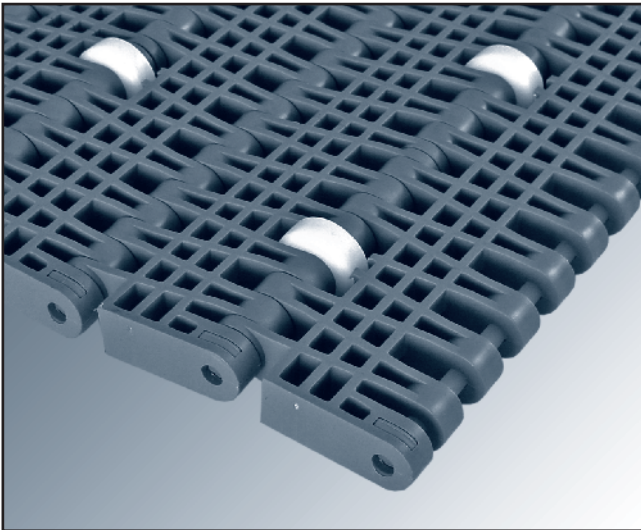
Pitch	50 mm
Surface	Conic Friction
Drive system	Hinge
Belt width	Multiples of 20 mm
Rod diameter	Ø 6 mm
Retention system	Cap
Rubber hardness grades	Shore A60
Indent	Multiples of 20 mm
Spacing of rubber lines	Multiples of 50 mm, minimum 100 mm



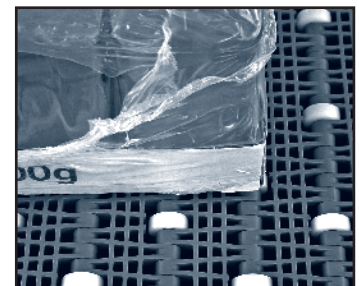
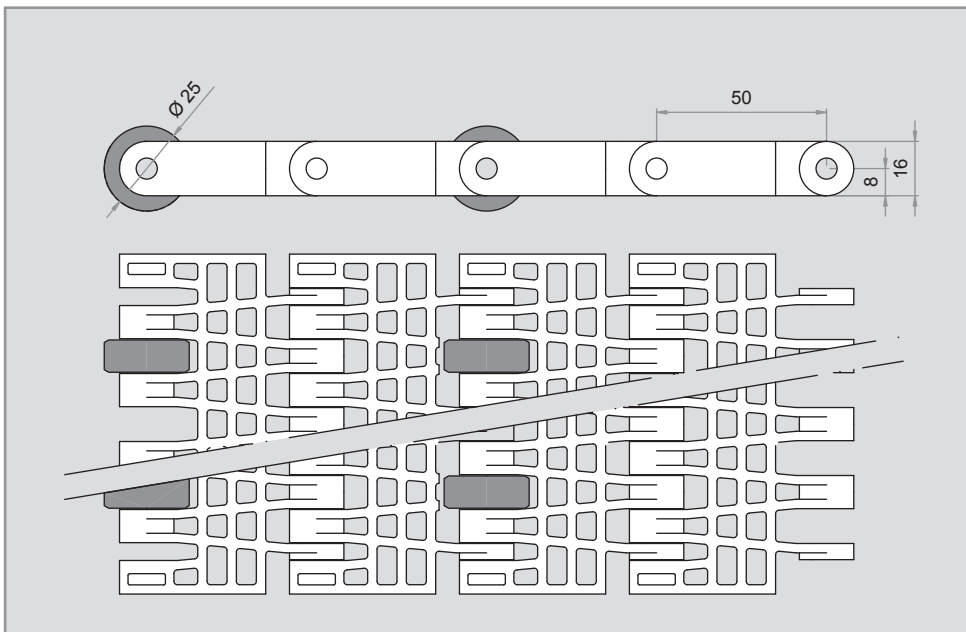
Surface of the belt	Material of the belt	Material of the rod	Belt strength (kg/m)	Temperature range (°C)	Available colours in stock
Conic Friction + Flat Top	PP - Polypropylene	PP - Polypropylene	1,800	+1 a +103	[W] - [G]
	PE - Polyethylene	PE - Polyethylene	1,100	-40 a +65	[N] - [B]
Conic Friction + Flush Grid	PP - Polypropylene	PP - Polypropylene	2,400	+1 a +103	[W] - [G]
	PE - Polyethylene	PE - Polyethylene	1,500	-40 a +65	[N] - [B]

Colours: [W] White - [G] Grey - [B] Blue - [N] Natural - [O] Black. // The materials and colours that are normally in stock are those above indicated. In special cases in which it is needed a belt in a material or colour different from those above mentioned, you should ask directly to EUROBELT.

SERIES E50 SLIDING ROLLERS



Pitch	50 mm
Surface	Sliding Rollers
Drive system	Hinge
Belt width	Multiples of 20 mm
Rod diameter	Ø 6 mm
Retention system	Cap
Diameter of small roller	Ø 25 mm
Width of small roller	10 mm
Material of small roller	Polyacetal
Sliding Rollers pitch	Multiples of 50 mm



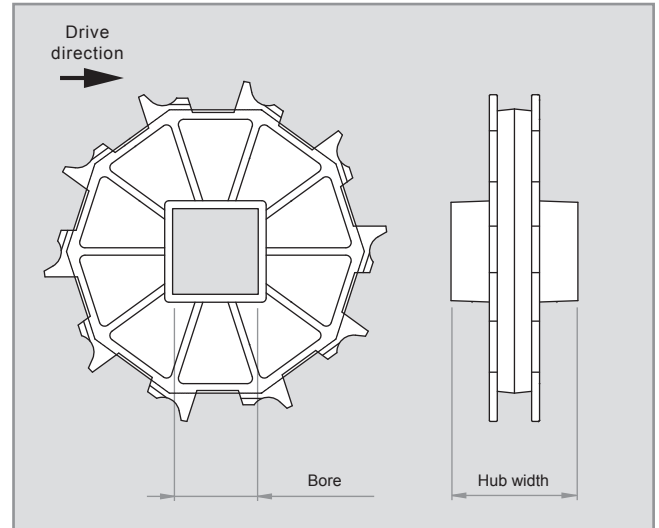
Eurobelt Series E50 Sliding Rollers is provided with small rollers inserted on its surface that rotate whenever there is product accumulation, avoiding crushing and wear in the base of the product. This conveyor belt has been designed mainly to solve problems of conveyance of boxes, containers, etc.

Surface of the belt	Belt standard material	Rod standard material	Belt strength (kg/m)	Temperature range (°C)	Available colours in stock
Flush Grid	PP - Polypropylene	PP - Polypropylene	2,400	+1 to +104	[W] - [G]
	PE - Polyethylene	PE - Polyethylene	1,500	-50 to +65	[N] - [B]
Open Grid	PP - Polypropylene	PP - Polypropylene	1,800	+1 to +104	[W] - [G]
	PE - Polyethylene	PE - Polyethylene	1,100	-50 to +65	[N] - [B]

This conveyor belt has been designed mainly to solve problems of conveyance of boxes, containers, etc.

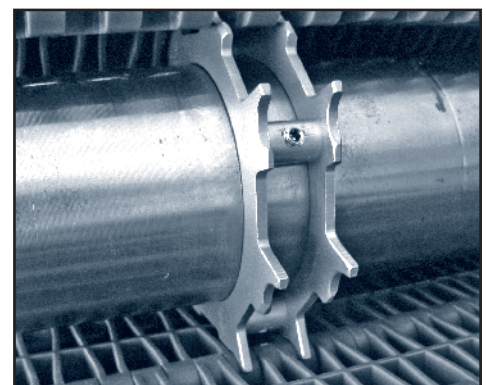
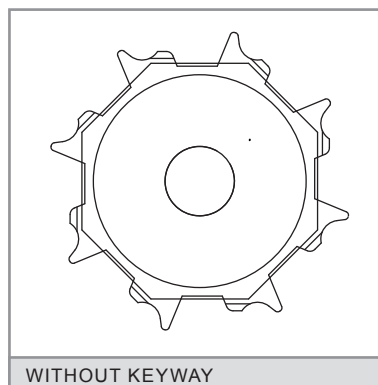
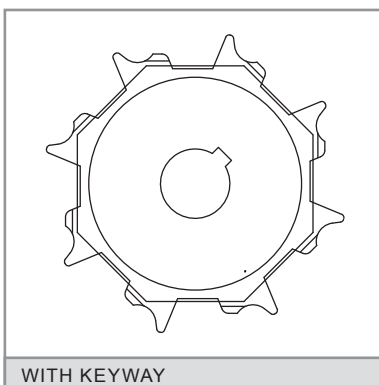
Colours: [W] White - [G] Grey - [B] Blue - [N] Natural - [O] Black. // The materials and colours that are normally in stock are those above indicated. In special cases in which it is needed a belt in a material or colour different from those above mentioned, you should ask directly to EUROBELT.

ACCESSORIES [SPROCKETS]



N° of teeth T	Ø Pitch	Bore for square shaft		Hub width	Materials
		mm	inch		
6	100	40	1.5"	40	Polypropylene
8	130.6	40	1.5"	40	
10	161.8	40 60	1.5" 2.5"	60	Polyacetal
16	256.2	40 60	1.5"	60	Stainless steel

SPROCKETS FOR SQUARE SHAFT



We have plastic sprockets for round shaft with and without keyway. We also have sprockets to be used with motor drum in applications needing a special cleaning or in conveyors in which it is not possible to place the motor in the outside due to problems of space or safety.

ACCESSORIES [RETAINING RINGS]

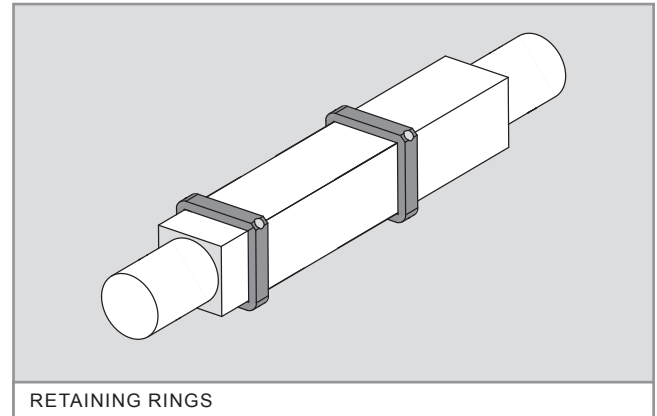
INSTALLATION

These rings are placed at every side of the central sprocket to fasten it to the shaft in order to avoid any lateral movements of the belt.

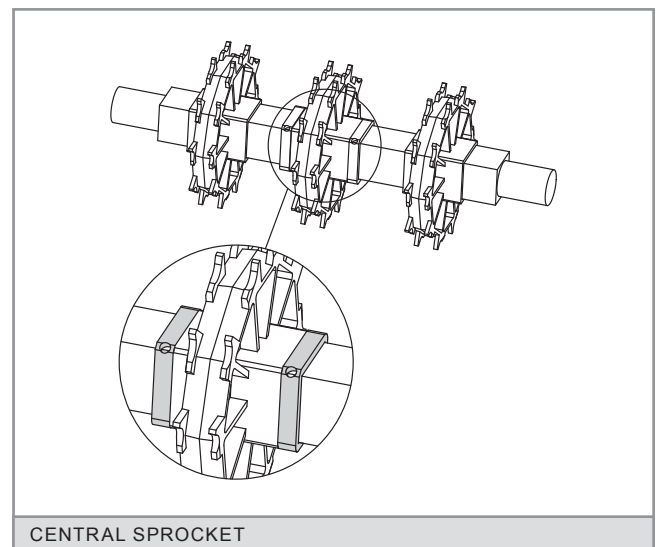
They are manufactured in AISI 316 stainless steel and they are fixed by means of a set screw stuffed in the ring itself.

One sprocket, duly fixed with 2 retaining rings, should be put in the centre. Then you should place the same quantity of sprockets at every side of the central one but without any fixing, as they will absorb the possible belt expansions and contractions.

The same procedure should be carried out in both shafts.

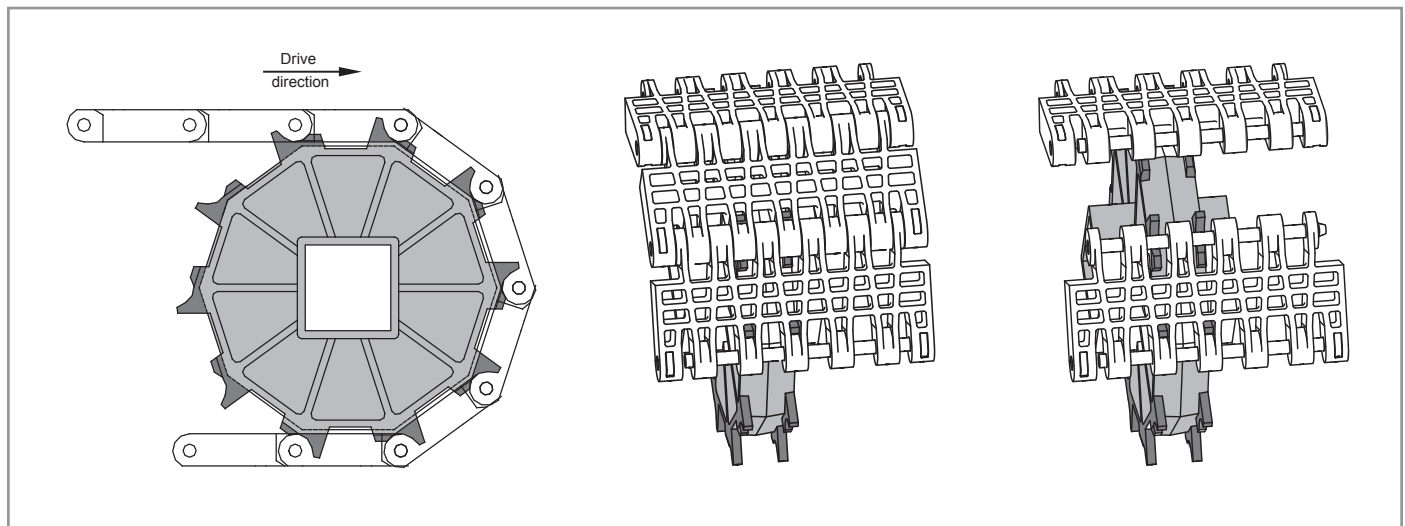


RETAINING RINGS



CENTRAL SPROCKET

Bore for square shaft	Screws
40	M 6 x 6
60	M 6 x 6



ACCESSORIES [FLIGHTS]



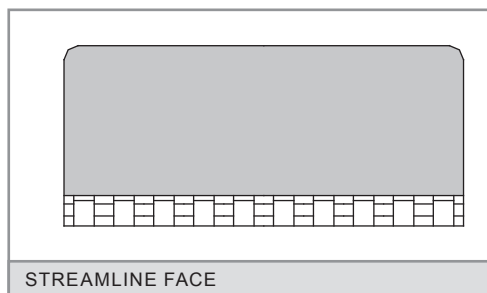
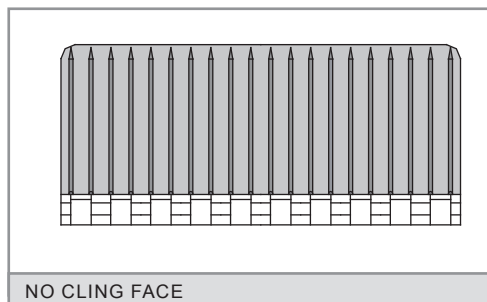
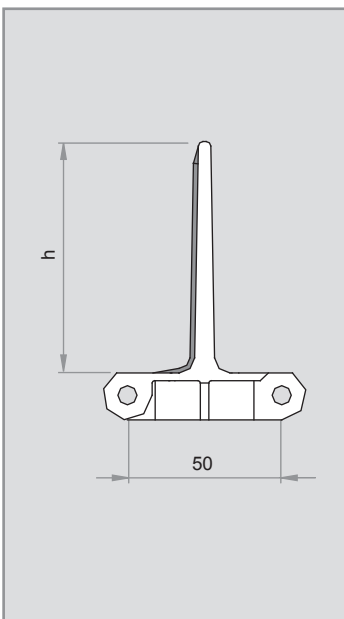
When building a conveyor, Eurobelt can design your belt with flights and/or side guards, taking into account the size and the weight of the product to be transported, as well as the height and inclination of the conveyor.

The flights are plastic accessories to be inserted across the belt. They are used to push the product in ascent, descent or accompaniment applications, avoiding that it slips along the belt.

Its non-stick side has ribs that project over the surface to prevent the product from sticking.

Their edges are completely rounded to avoid any damage of the product.

STRAIGHT FLIGHT [STREAMLINE + NO CLING]

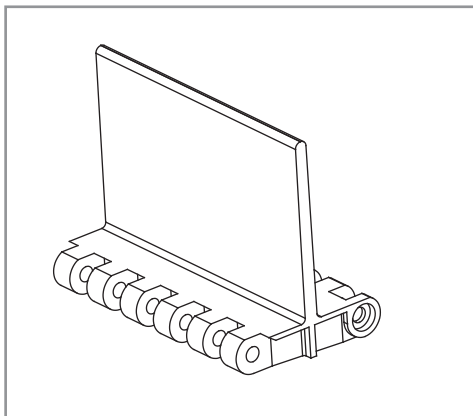
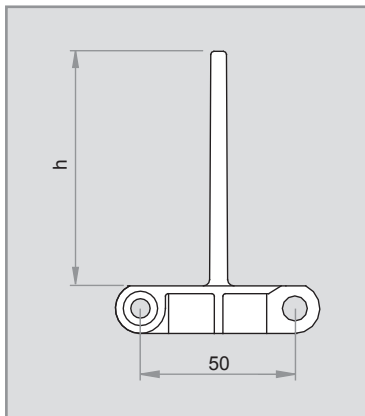


Height (h)	Materials
25	Polypropylene
50	
75	
100	Polyethylene
125	
150	

It is possible to cut down the standard height for special applications.

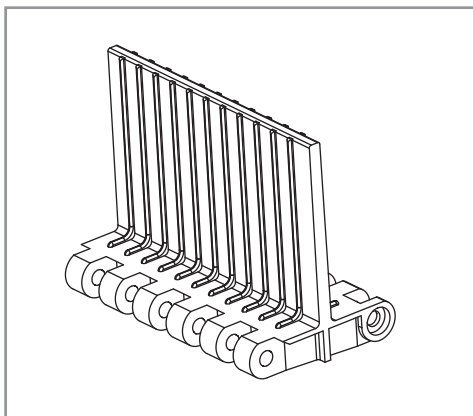
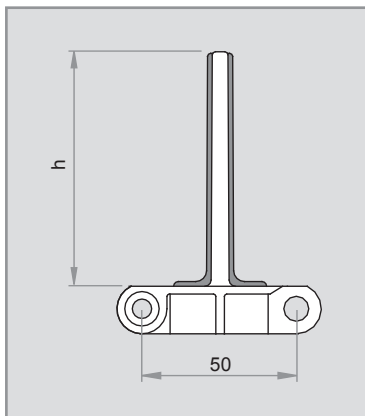
ACCESSORIES [FLIGHTS]

STRAIGHT FLIGHT [STREAMLINE]



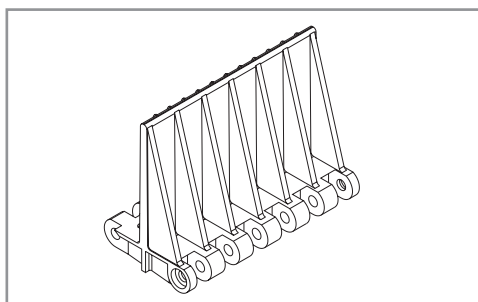
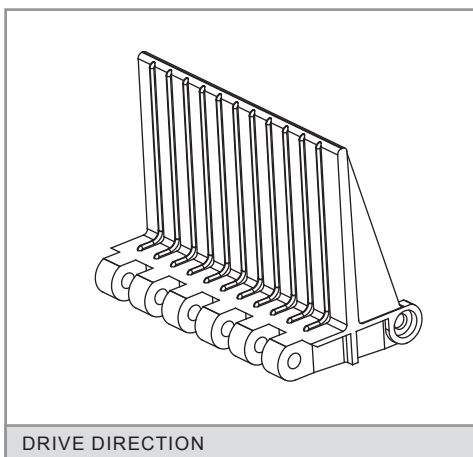
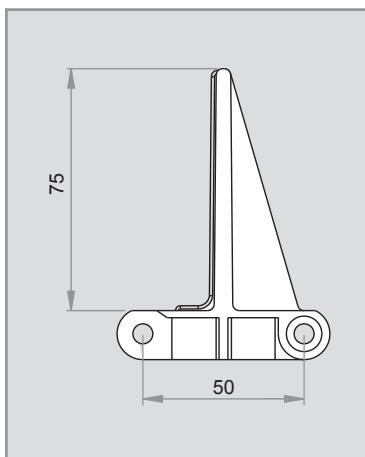
Height (h)	Materials
25	Polypropylene Polyethylene
50	
75	

STRAIGHT FLIGHT [NO CLING]



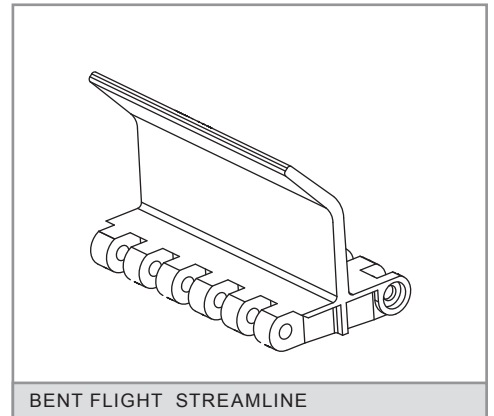
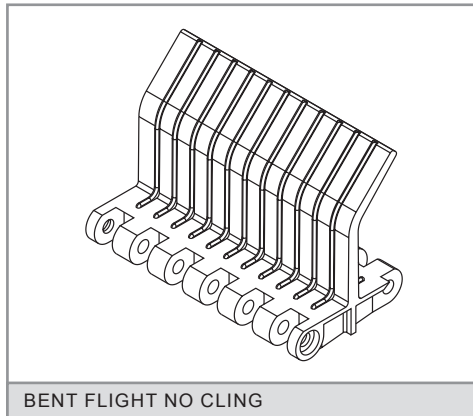
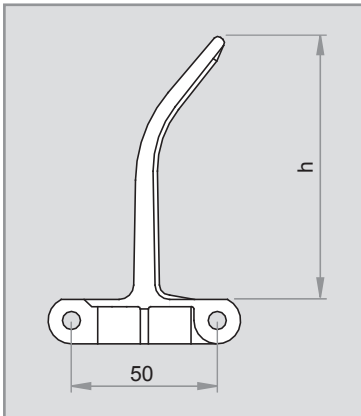
Height (h)	Materials
25	Polypropylene Polyethylene
50	
75	
100	
125	
150	

RIBBED FLIGHT



Height (h)	Materials
75	Polypropylene Polyethylene

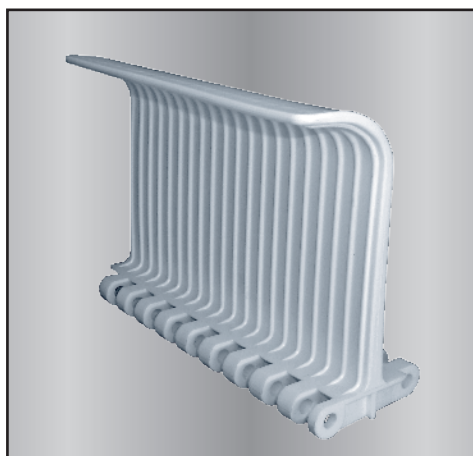
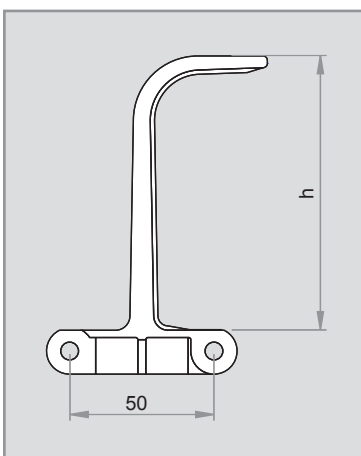
BENT FLIGHT



Accessories	Height (h)	Materials
Bent Flight [Streamline]	75	Polypropylene Polyethylene
Bent Flight [No Cling]	45	
	70	
	90	
	115	
	140	
Bent Flight [Streamline + No Cling]	45	
	70	
	90	
	115	
	140	

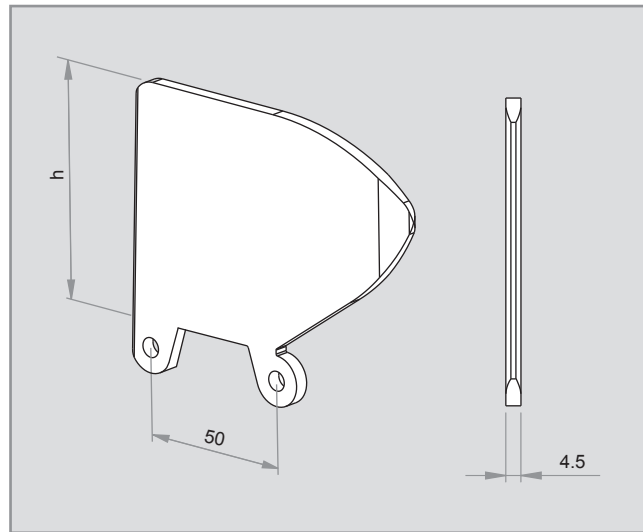
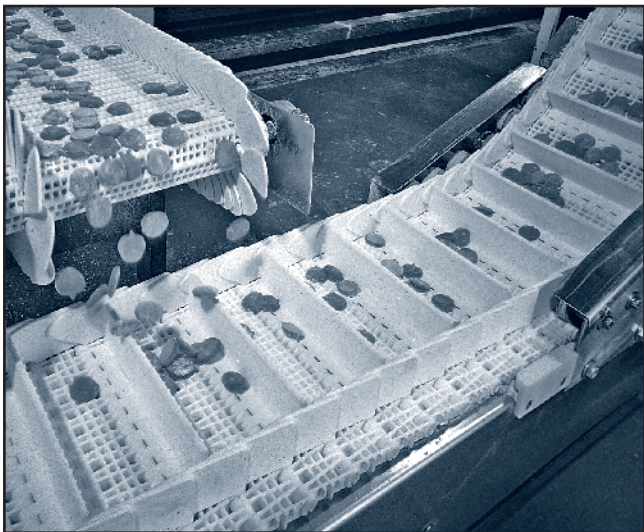


SCOOP FLIGHT



Height (h)	Materials
95	Polypropylene
120	

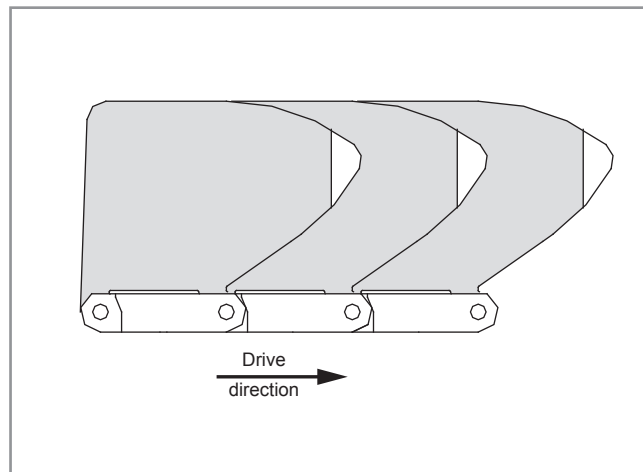
ACCESSORIES [SIDE GUARDS]



The **side guards** are plastic accessories to be inserted into the belt structure to retain the product laterally, avoiding overflows and frictions with the conveyor structure itself.

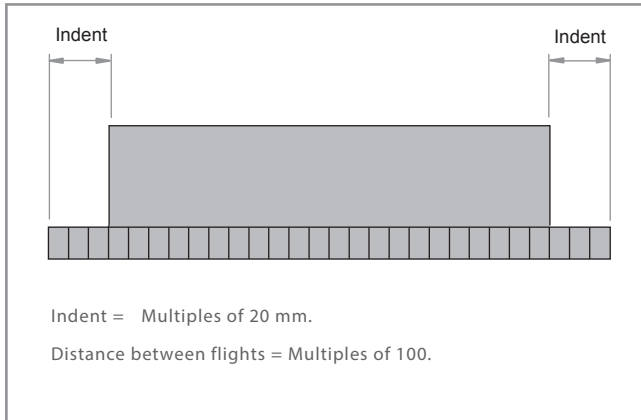
Height (h)	Materials
50	Polypropylene
75	Polyethylene
100	Polyethylene

It is possible to cut down the standard height for special applications.

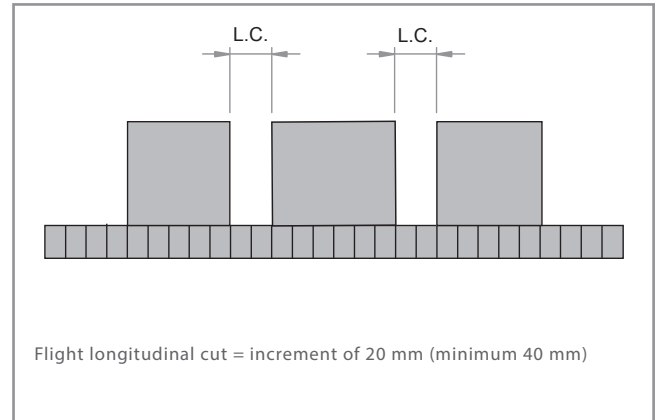


TECHNICAL DATA [FLIGHTS AND SIDE GUARDS]

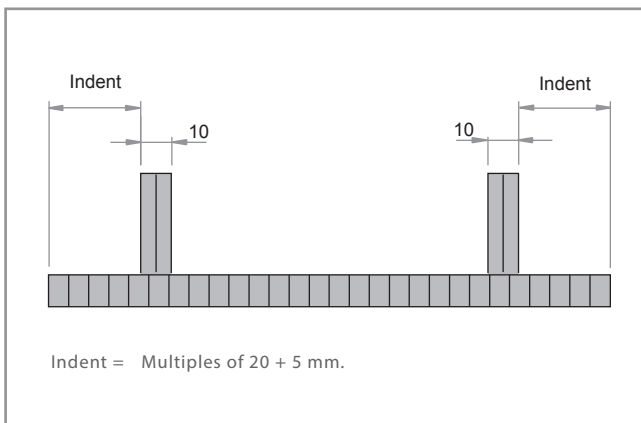
BELT ONLY WITH FLIGHTS



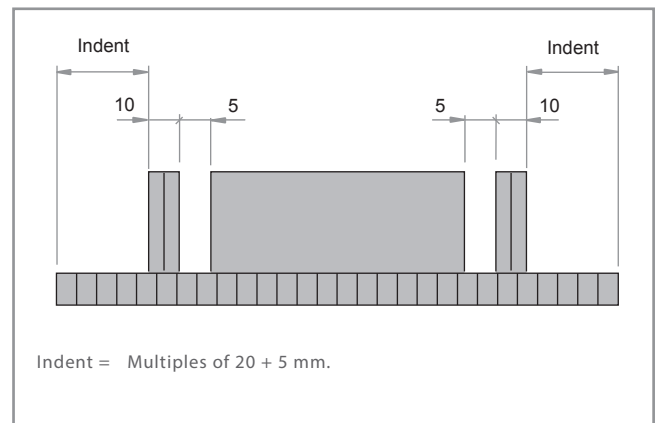
BELT WITH LONGITUDINAL CUTS



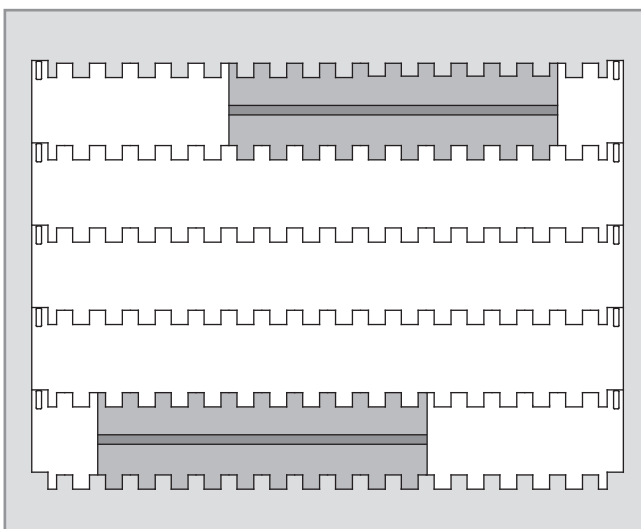
BELT ONLY WITH SIDE GUARDS



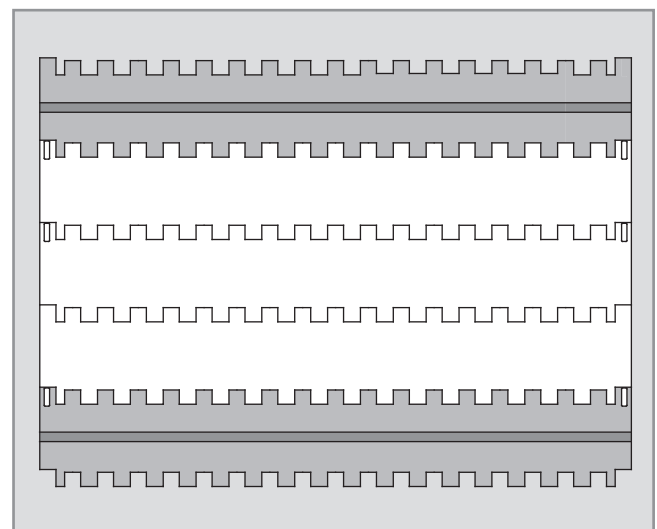
BELT WITH FLIGHTS AND SIDE GUARDS



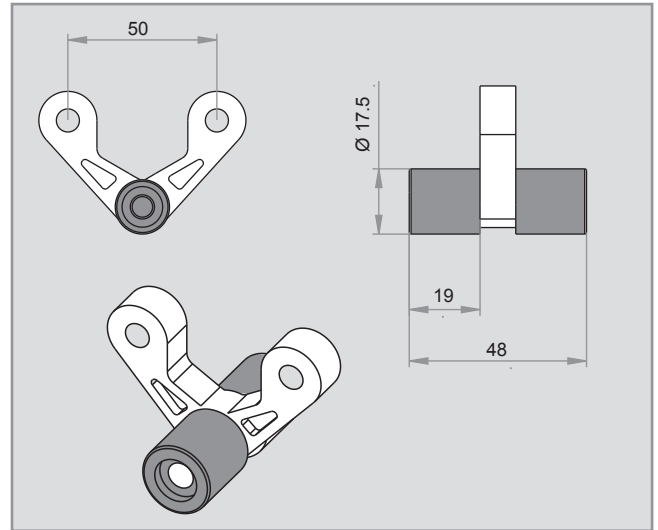
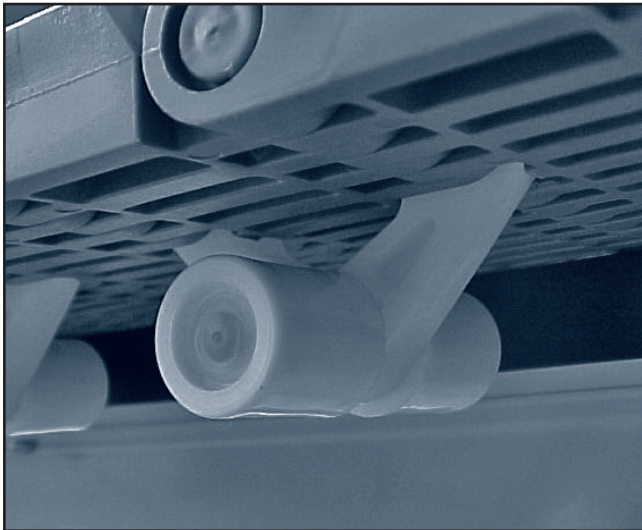
BELT WITH ZIGZAG FLIGHTS



BELT WITH FLIGHTS, WITHOUT INDENT



ACCESSORIES [HOLD-DOWN ROLLERS]

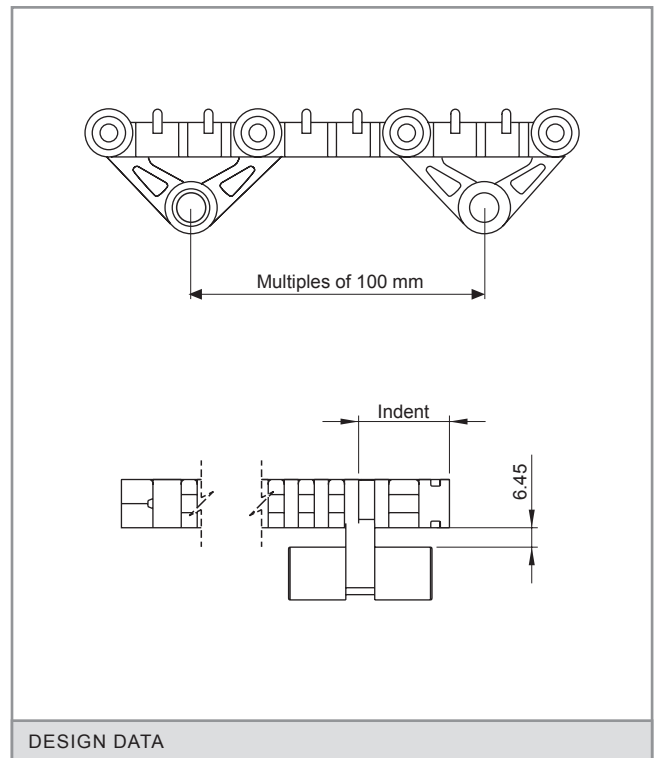


They are used to fasten the belt to the conveyor in all the inflexions.

In applications in which the belt must be submerged, they are placed in the middle of the belt to prevent it from getting bent due to the flotation.

They will roll along rails fastened throughout the conveyor structure. It is recommended to place wearstrips to avoid the wear owing to rolling as far as possible.

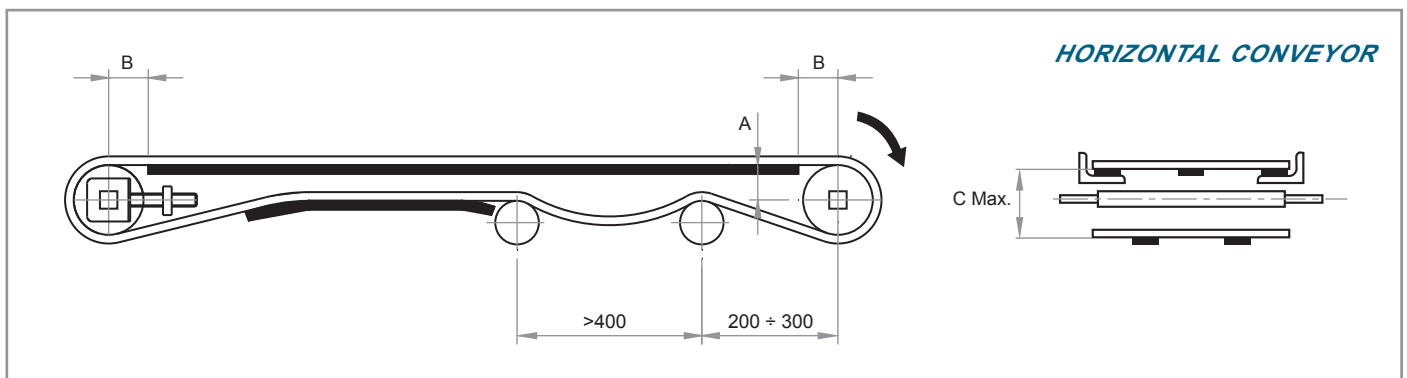
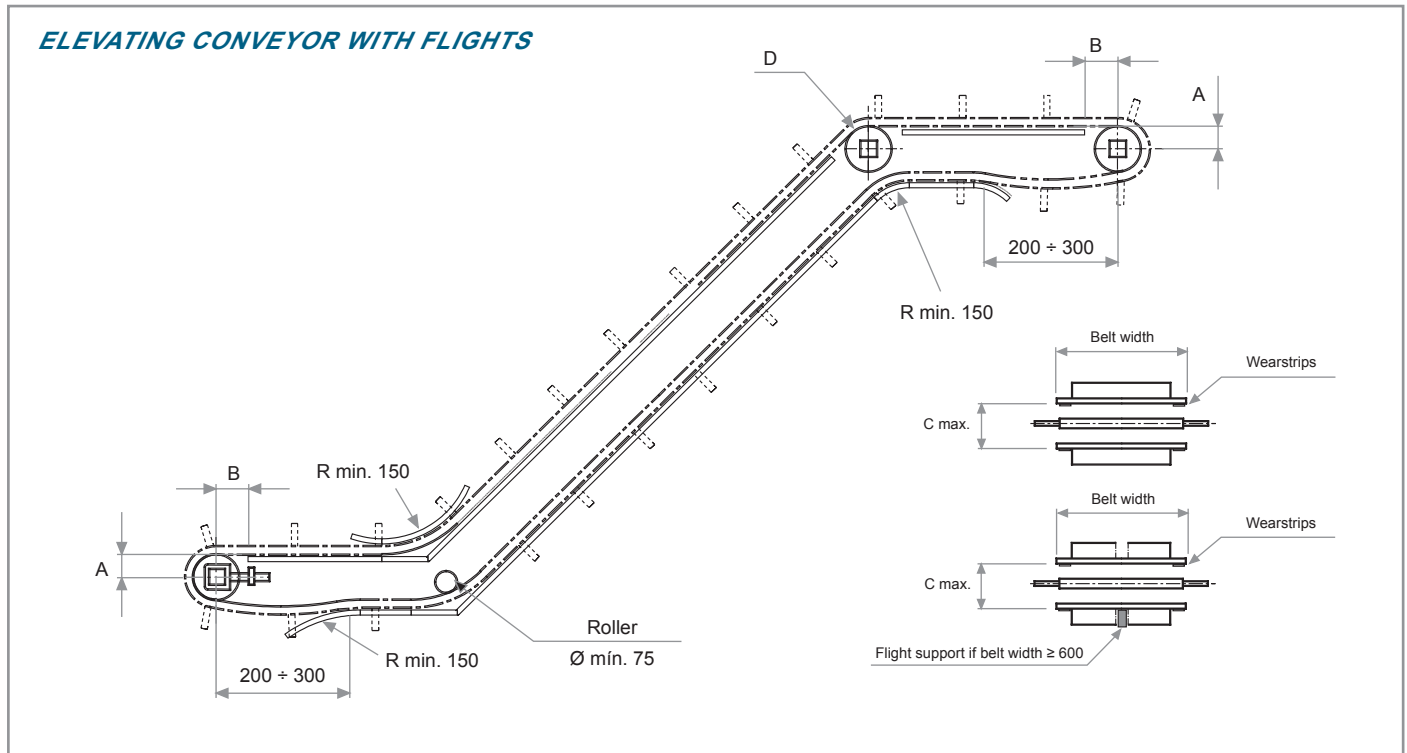
The distance between the side edge of the belt and the centre of the hold-down roller (indent) must be a multiple of 10 mm. Hold-down rollers cannot be used with the following sprockets:



N° of teeth T	Bore for square shaft
6	40

DESIGN DATA

CONSTRUCTION DATA [CONVEYOR]



[A] Distance between the sliding surface of the belt and the centre of the shaft.

[B] Distance between the vertical of the shaft and the beginning of the sliding surface.

[C] Distance between the sliding surface of the belt and the support of the return way.

[D] If sprockets are used in the inflexion shaft, do not retain the central one.

[R] This radius must be as big as allowed by the application in order to minimize the wear (min. 150 mm). For belts with side guards, consult about this radius.

In the construction of conveyors, the distances appearing in the chart below must be respected according to the belt Series and the size of the sprockets.

N° of teeth T	Ø Pitch	A	B max.	C max.
6	100	42	55	105
8	130.65	58	60	135
10	161.80	72	76	165
16	256.29	120	80	260

TABLE OF SPROCKETS AND WEARSTRIPS

Belt nominal width (mm)		Minimum quantity of sprockets per shaft	Minimum quantity of wearstrips	
			Transport way	Return way
40	150	1	2	2
160	450	3	2	2
460	750	5	3	2
760	1,050	7	5	3
1,060	1,350	9	6	4
1,360	1,650	11	7	5
1,660	1,950	13	9	6
1,960	2,250	15	10	7
2,260	2,550	17	11	8
2,560	2,850	19	12	9
2,860	3,150	21	14	10
3,160	3,450	23	15	11
3,460	3,750	25	16	12
3,760	4,050	27	18	13

To calculate the necessary minimum quantity of sprockets for the drive shaft as well as for the idle one, the next formula has been used:

$$\text{Minimum quantity} = \frac{\text{Belt width (mm)}}{150 \text{ mm}}$$

This amount must always be odd.

To calculate the quantity of supports, the weight of the product to be transported must be taken into account.

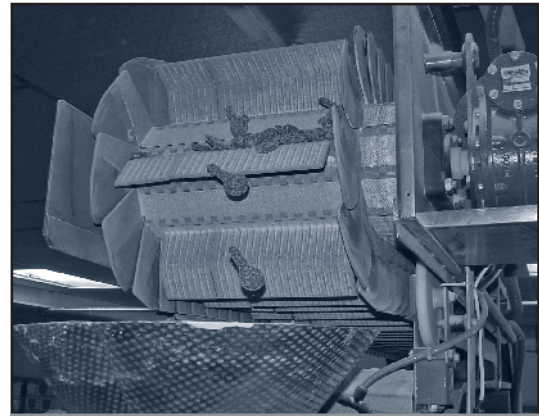
The distance between supports should not exceed 230 mm in the transport way or 300 mm in the return way.



APPLICATIONS



COOLING LINES



HOPPER FEEDERS



ELEVATORS



LINE FOR SHRIMPS BOILING



DEFREEZING



SALTERS

SERIES B50



FLAT TOP

PERFORATED FLAT TOP

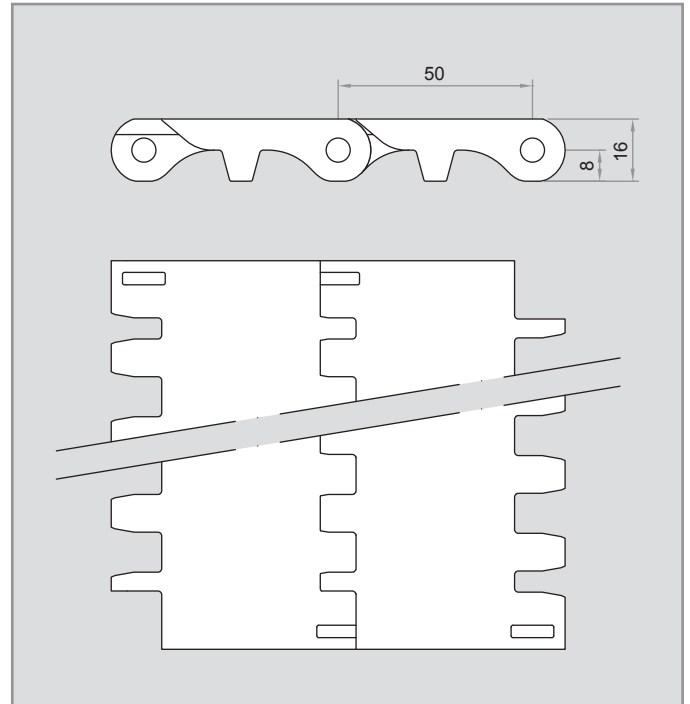
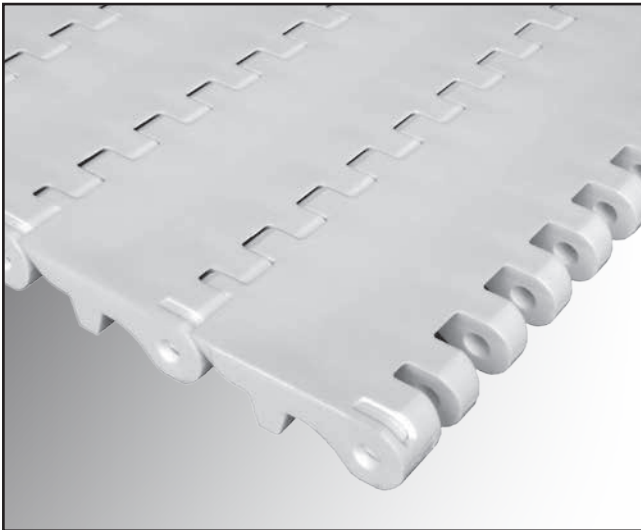
FLAT TOP

PERFORATED FLAT TOP



SERIES B50

SERIES B50 FLAT TOP



Eurobelt Series B50 Flat Top is the most hygienic and strongest conveyor belt for the food industry. Thanks to its design of completely rounded corners and open edges we avoid the accumulation of debris. The underside transversal drive bar and the sprockets design make this belt be the best alternative for longer conveyors with heavier loads.

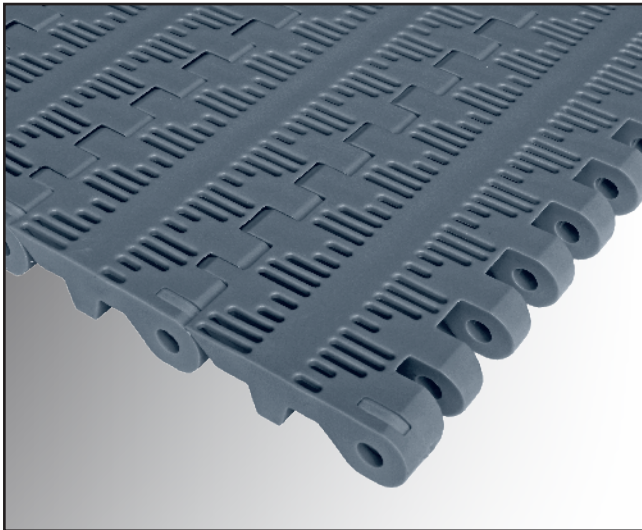


Pitch	50 mm
Surface	Flat Top
Open area	0 %
Thickness	16 mm
Drive system	Hinge
Belt width	Multiples of 20 mm
Rod diameter	Ø 5,5 mm
Retention system	Cap

Material of the belt	Material of the rod	Belt strength (kg/m)	Temperature range (°C)	Belt weight (kg/m ²)	Available colours in stock
PP - Polypropylene	PP - Polypropylene	1,550	+1 to +104	9.06	[W] - [G] - [B]
PE - Polyethylene	PE - Polyethylene	750	-50 to +65	9.50	[N] - [B]
AC - Polyacetal	PP - Polypropylene	1,650	+1 to +90	13.43	[W]
	PE - Polyethylene	990	-40 to +65	13.47	[W]

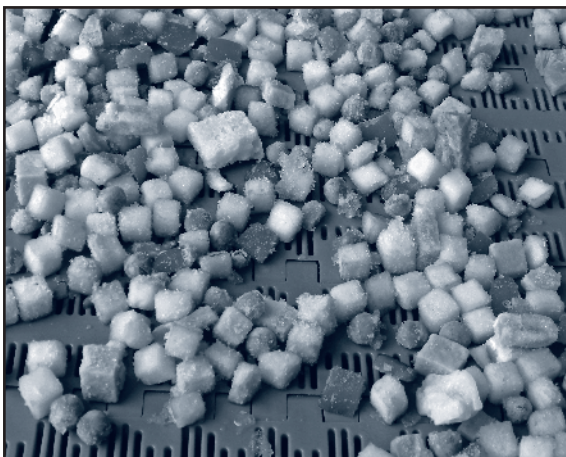
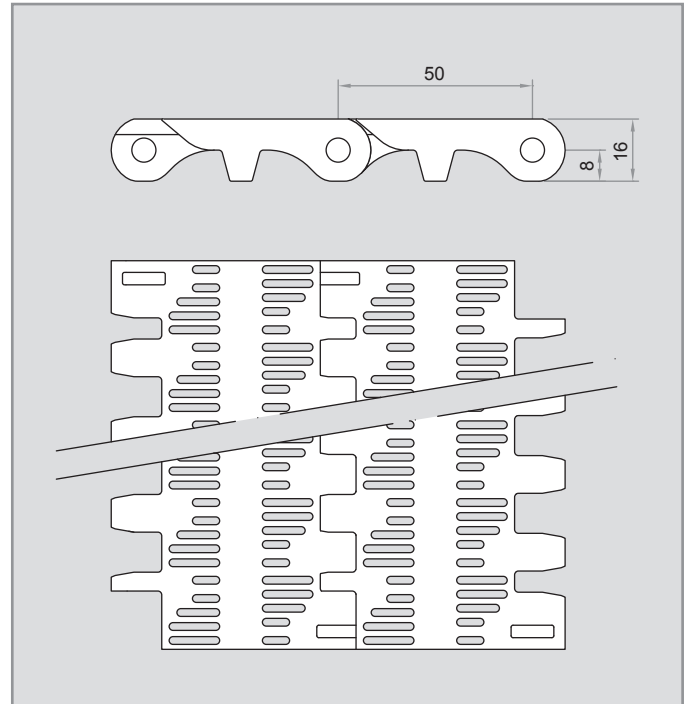
Colours: [W] White - [G] Grey - [B] Blue - [N] Natural - [O] Black. // The materials and colours that are normally in stock are those above indicated. In special cases in which it is needed a belt in a material or colour different from those above mentioned, you should ask directly to EUROBELT.

SERIES B50 PERFORATED FLAT TOP



Its smooth perforated surface allows the air to flow and the liquids to drain away.

It is the ideal belt for production food processes (boiling, draining, drying) as well as for preservation processes (sterilization, refrigeration).

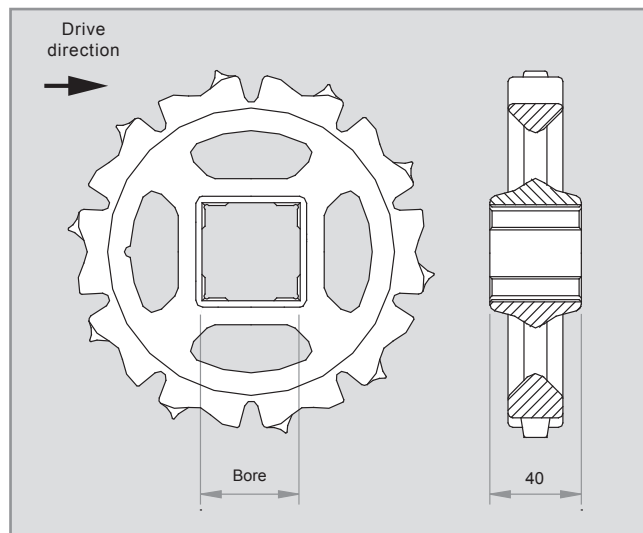
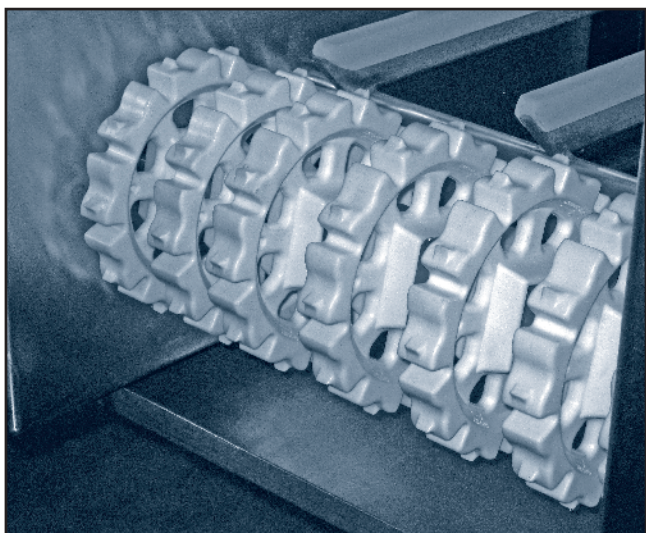


Pitch	50 mm
Surface	Perforated Flat Top
Open area	20 %
Dimensions of openings	[13 x 2] - [11 x 2] - [7 x 2] mm
Thickness	16 mm
Drive system	Hinge
Belt width	Multiples of 20 mm
Rod diameter	Ø 5,5 mm
Retention system	Cap

Material of the belt	Material of the rod	Belt strength (kg/m)	Temperature range (°C)	Belt weight (kg/m ²)	Available colours in stock
PP - Polypropylene	PP - Polypropylene	1,115	+1 to +104	7.75	[W] - [G] - [B]
PE - Polyethylene	PE - Polyethylene	685	-50 to +65	8.30	[N] - [B]
AC - Polyacetal	PP - Polypropylene	1,650	+1 to +90	11.55	[W]
	PE - Polyethylene	990	-40 to +65	11.58	[W]

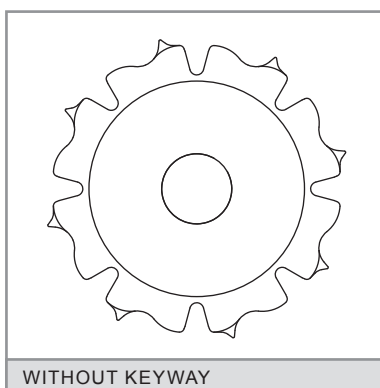
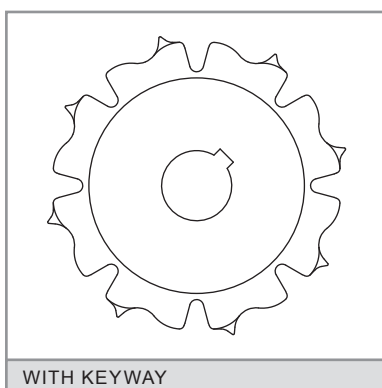
Colours: [W] White - [G] Grey - [B] Blue - [N] Natural - [O] Black. // The materials and colours that are normally in stock are those above indicated. In special cases in which it is needed a belt in a material or colour different from those above mentioned, you should ask directly to EUROBELT.

ACCESSORIES [SPROCKETS]



N° of teeth T	Ø Pitch	Bore for square shaft		Hub width	Materials
		mm	inch		
6	100.00	40	1.5"	40	Polypropylene Polyacetal Stainless steel
8	130.65	40	1.5"	40	
10	161.80	40	1.5"	40	
		60	2.5"		
12	193.18	40	1.5"	40	
		60	2.5"		
16	256.29	40	1.5"	40	
		60	2.5"		
		90	3.5"		

SPROCKETS FOR SQUARE SHAFT



We have plastic sprockets for round shaft with and without keyway. We also have sprockets to be used with motor drum in applications needing a special cleaning or in conveyors in which it is not possible to place the motor in the outside due to problems of space or safety.

ACCESSORIES [RETAINING RINGS]

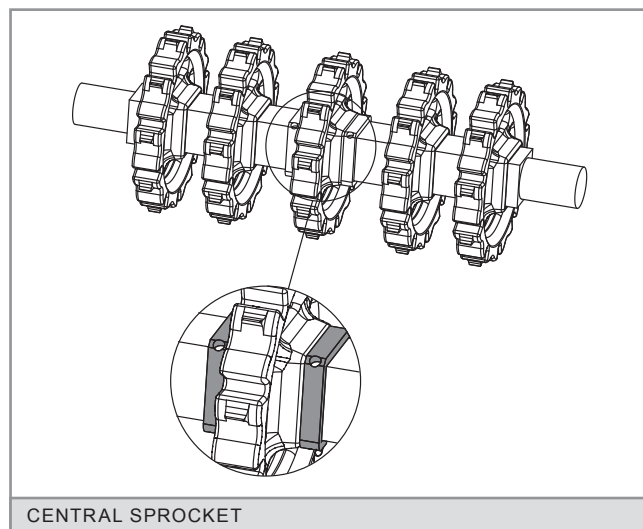
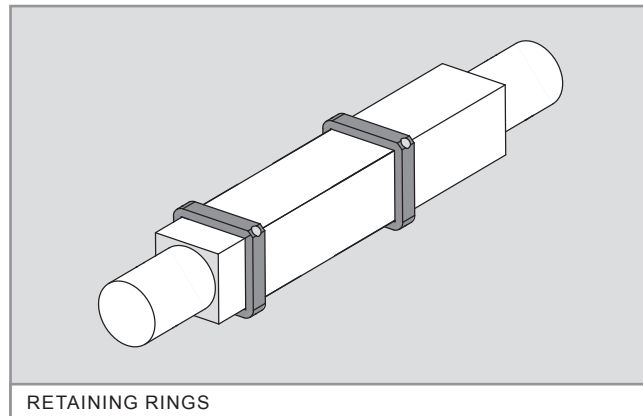
INSTALLATION

These rings are placed at every side of the central sprocket to fasten it to the shaft in order to avoid any lateral movements of the belt.

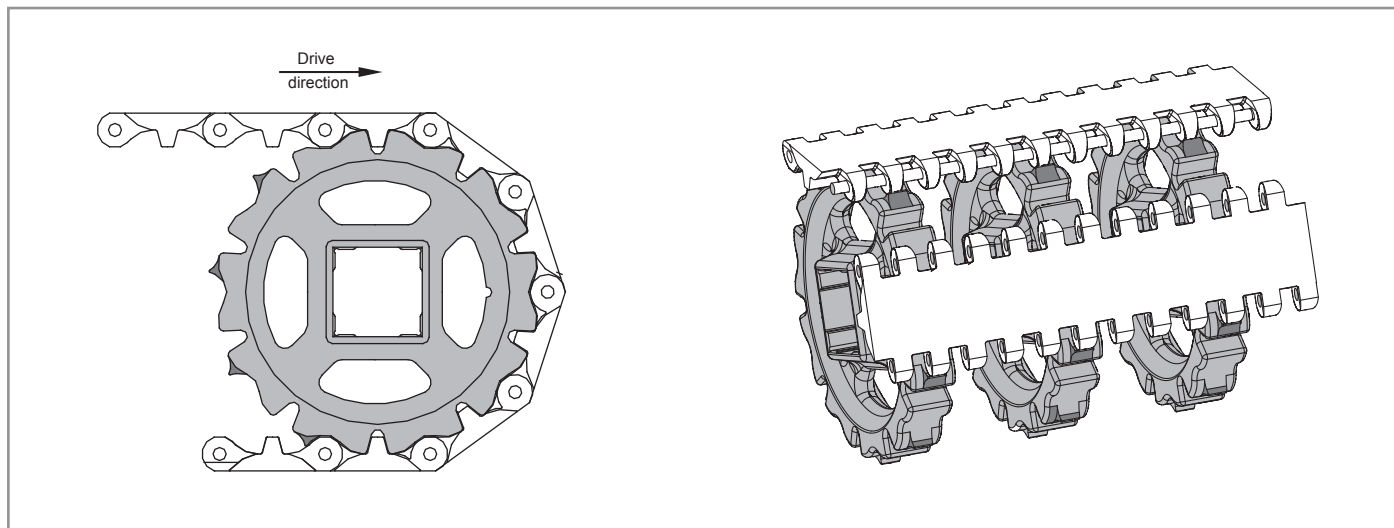
They are manufactured in AISI 316 stainless steel and they are fixed by means of a set screw stuffed in the ring itself.

One sprocket, duly fixed with 2 retaining rings, should be put in the centre. Then you should place the same quantity of sprockets at every side of the central one but without any fixing, as they will absorb the possible belt expansions and contractions.

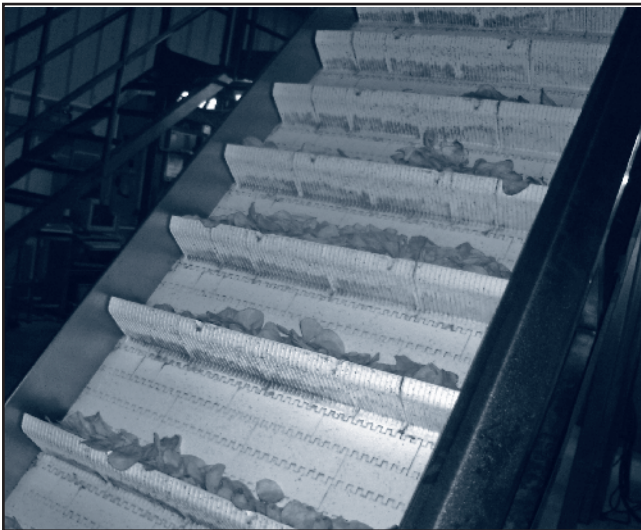
The same procedure should be carried out in both shafts.



Bore for square shaft	Screws
40	M 6 x 6
60	M 6 x 6
90	M 6 x 6



ACCESSORIES [FLIGHTS]



The **flights** are plastic accessories to be inserted across the belt. They are used to push the product in ascent, descent or accompaniment applications, avoiding that it slips along the belt.

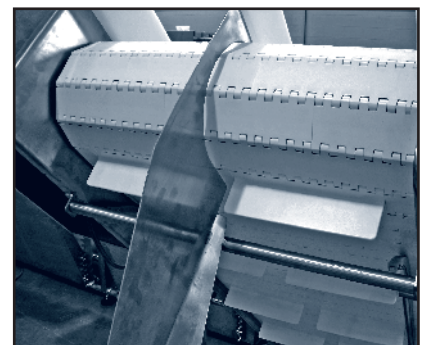
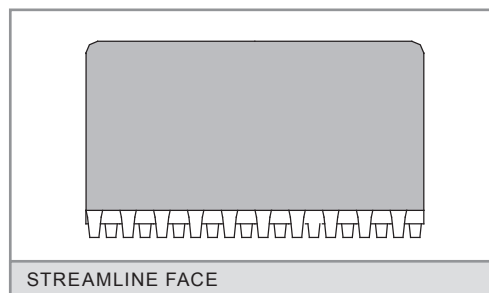
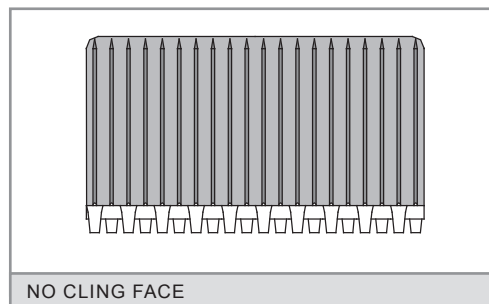
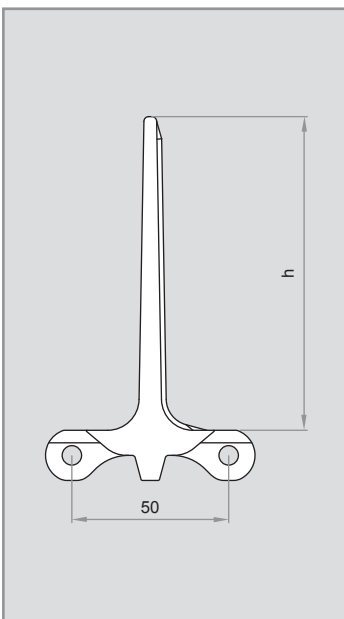
Its non-stick side has ribs that project over the surface to prevent the product from sticking.

Their edges are completely rounded to avoid any damage of the product.

The **side guards** are plastic accessories to be inserted into the belt structure to retain the product laterally, avoiding overflows and frictions with the conveyor structure itself.

It is possible to cut down the standard height for special applications.

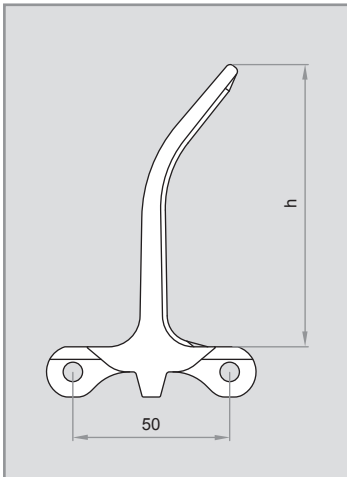
STRAIGHT FLIGHT [STREAMLINE + NO CLING]



Height (h)	Materials
25	
50	Polypropylene
75	Polyethylene
100	Polyacetal
150	

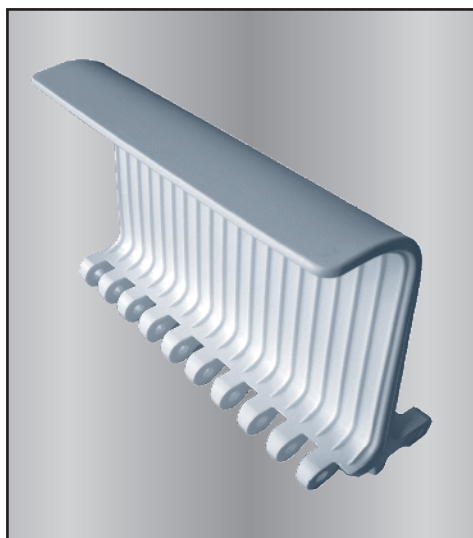
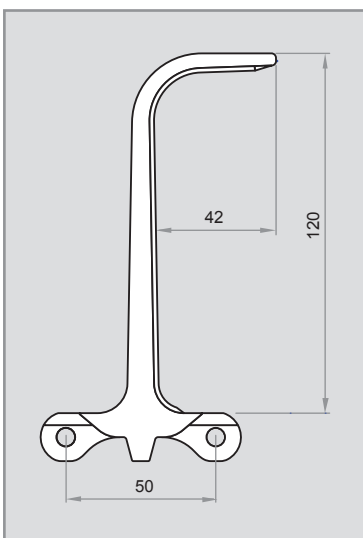
ACCESSORIES [FLIGHTS]

BENT FLIGHT



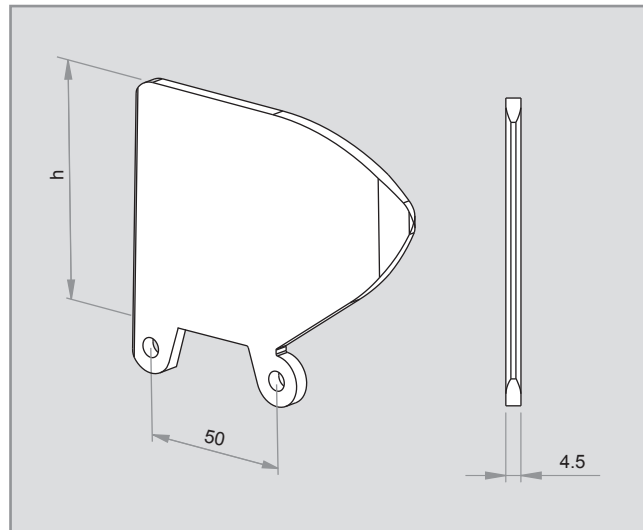
Accessories	Height (h)	Materials
Bent Flight [Streamline + No Cling]	45	Polypropylene Polyethylene Polyacetal
	70	
	90	
	140	

SCOOP FLIGHT



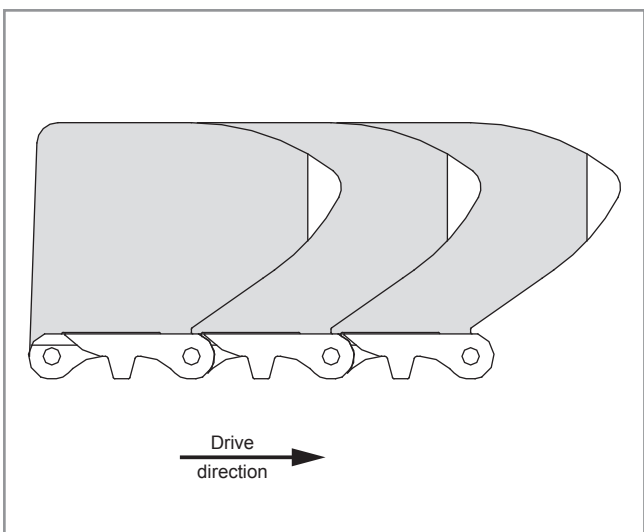
Height (h)	Materials
120	Polypropylene

ACCESSORIES [SIDE GUARDS]



The **side guards** are plastic accessories to be inserted into the belt structure to retain the product laterally, avoiding overflows and frictions with the conveyor structure itself.

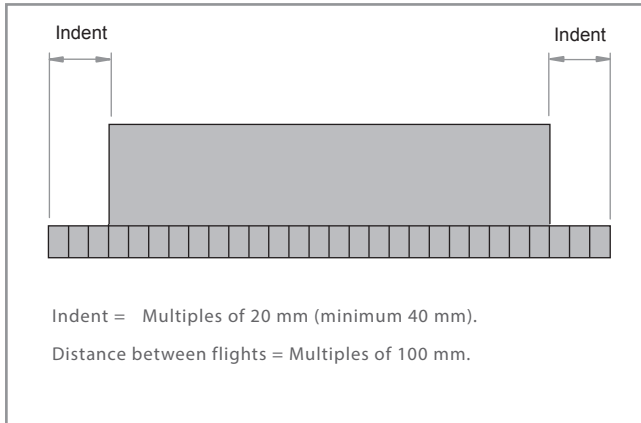
Height (h)	Materials
50	Polypropylene
75	Polyethylene
100	Polyacetal



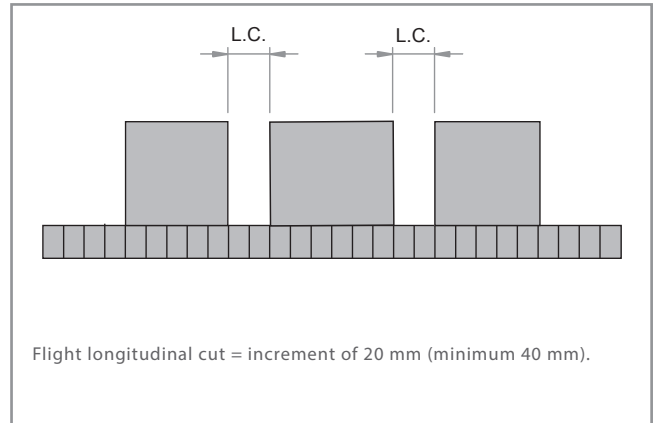
It is possible to cut down the standard height for special applications.

TECHNICAL DATA [FLIGHTS AND SIDE GUARDS]

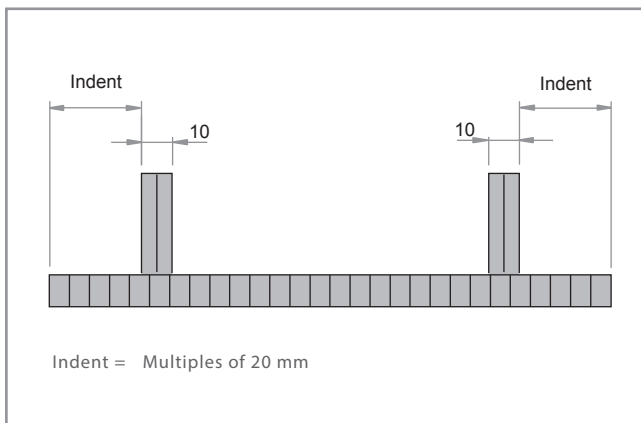
BELT ONLY WITH FLIGHTS



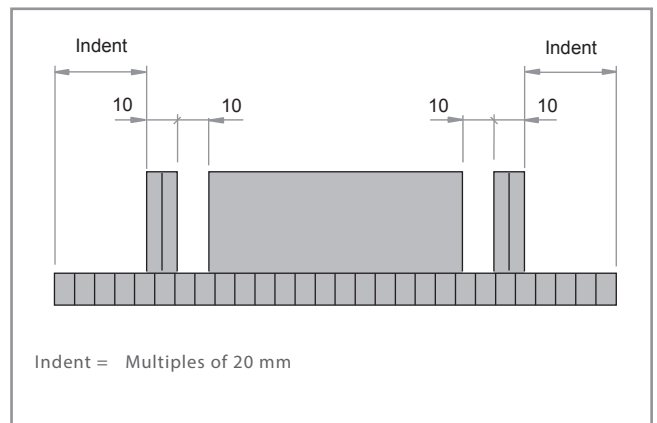
BELT WITH LONGITUDINAL CUTS



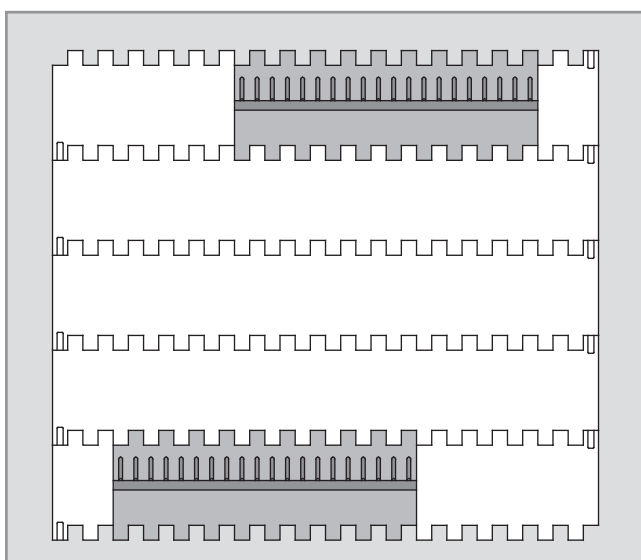
BELT ONLY WITH SIDE GUARDS



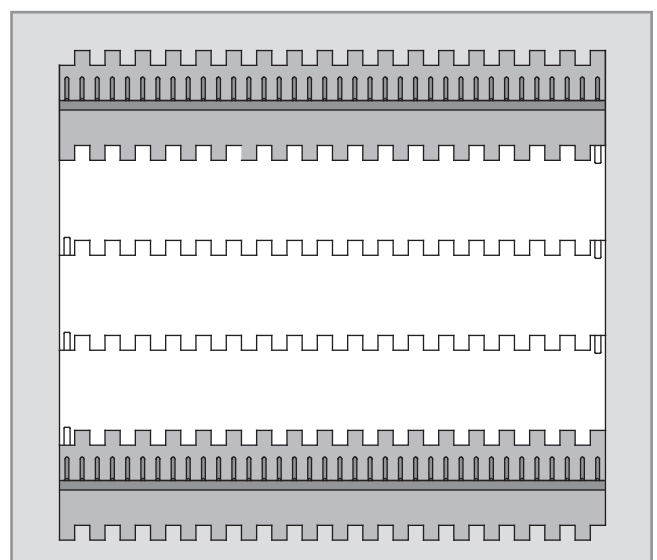
BELT WITH FLIGHTS AND SIDE GUARDS



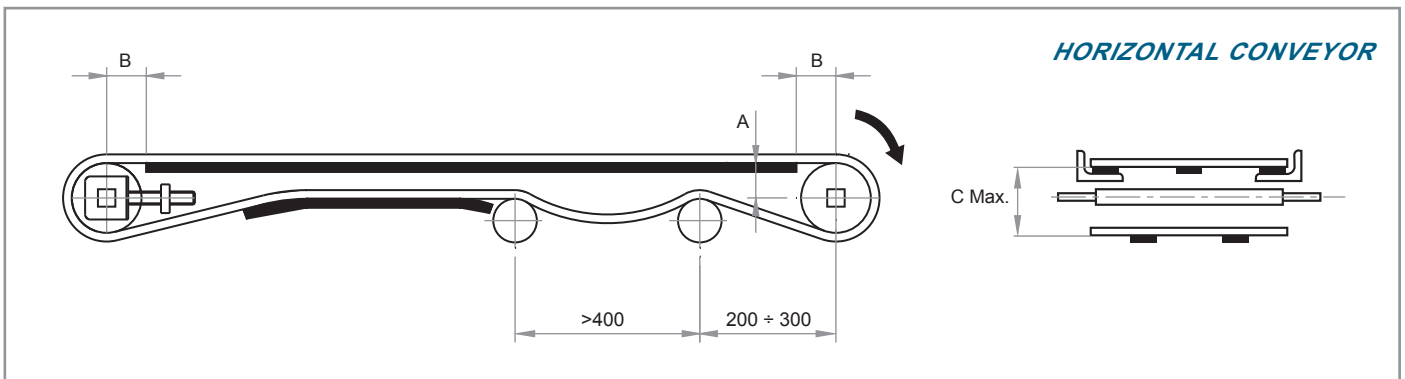
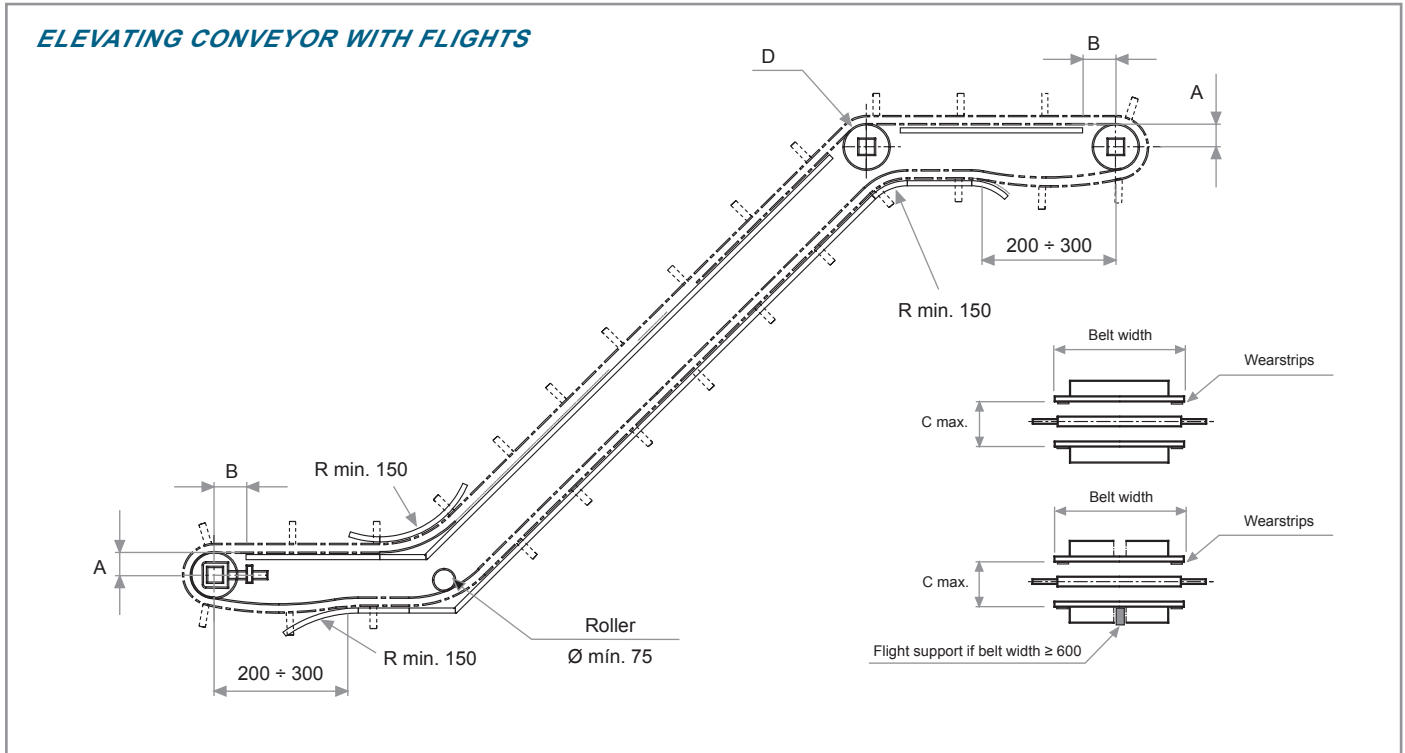
BELT WITH ZIGZAG FLIGHTS



BELT WITH FLIGHTS, WITHOUT INDENT



CONSTRUCTION DATA [CONVEYOR]



[A] Distance between the sliding surface of the belt and the centre of the shaft.

[B] Distance between the vertical of the shaft and the beginning of the sliding surface.

[C] Distance between the sliding surface of the belt and the support of the return way.

[D] If sprockets are used in the inflexion shaft, do not retain the central one.

[R] This radius must be as big as allowed by the application in order to minimize the wear (min. 150 mm). For belts with side guards, consult about this radius.

In the construction of conveyors, the distances appearing in the chart below must be respected according to the belt Series and the size of the sprockets.

N° of teeth T	Ø Pitch	A	B max.	C max.
6	100	42	55	105
8	130.65	58	60	135
10	161.80	72	76	165
12	193.18	89	78	200
16	256.29	120	80	260

TABLE OF SPROCKETS AND WEARSTRIPS

Belt nominal width (mm)		Minimum quantity of sprockets per shaft	Minimum quantity of wearstrips	
			Transport way	Return way
40	150	1	2	2
160	450	3	2	2
460	750	5	3	2
760	1,050	7	5	3
1,060	1,350	9	6	4
1,360	1,650	11	7	5
1,660	1,950	13	9	6
1,960	2,250	15	10	7
2,260	2,550	17	11	8
2,560	2,850	19	12	9
2,860	3,150	21	14	10
3,160	3,450	23	15	11
3,460	3,750	25	16	12
3,760	4,050	27	18	13

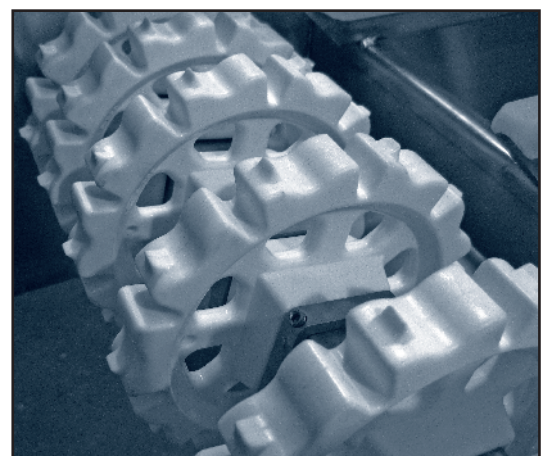
To calculate the necessary minimum quantity of sprockets for the drive shaft as well as for the idle one, the next formula has been used:

$$\text{Minimum quantity} = \frac{\text{Belt width (mm)}}{150 \text{ mm}}$$

This amount must always be odd.

To calculate the quantity of supports, the weight of the product to be transported must be taken into account.

The distance between supports should not exceed 230 mm in the transport way or 300 mm in the return way.



SERIES E80

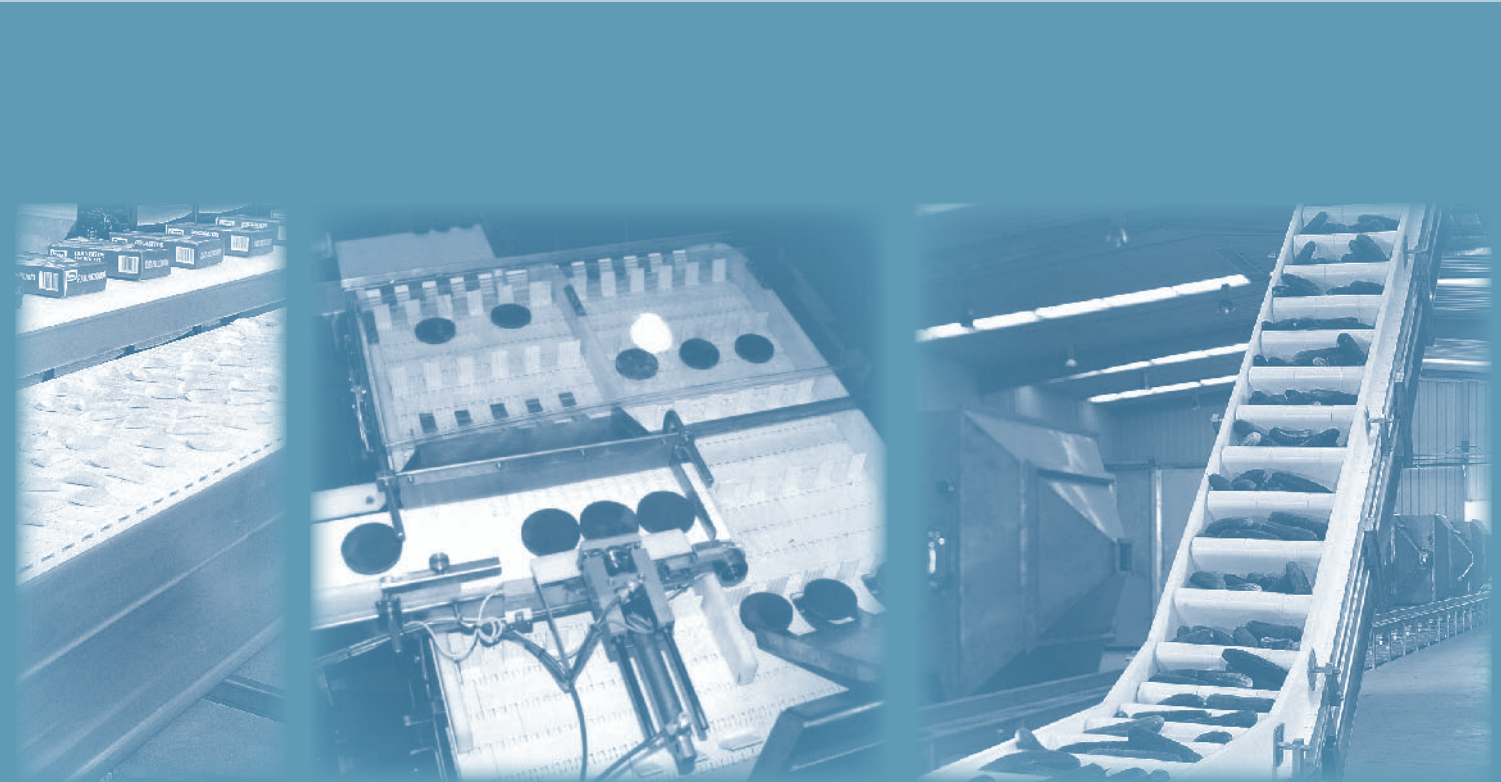


FLAT TOP

PERFORATED FLAT TOP

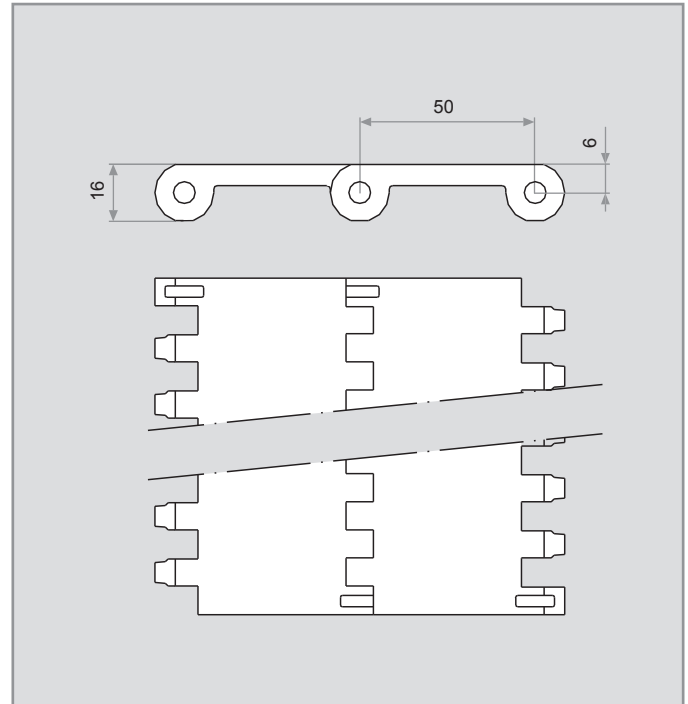
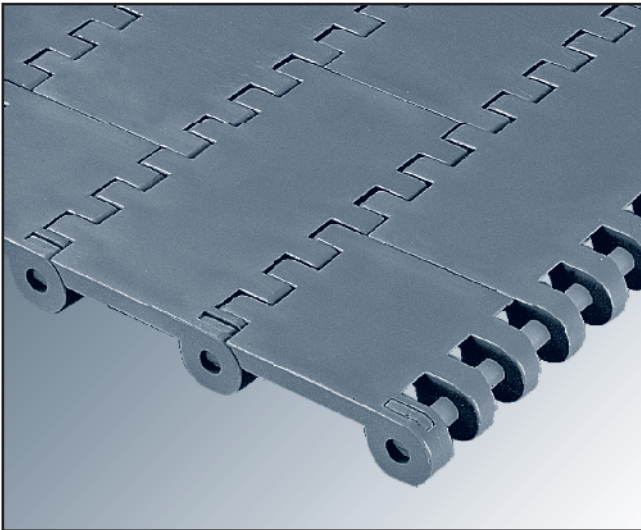
FLAT TOP

PERFORATED FLAT TOP



SERIES E80

SERIES E80 FLAT TOP



Eurobelt Series E80 Flat Top has smooth lower and upper surfaces, without any hole or cavity. It has been designed to achieve an easy and quick cleaning in applications with products that release liquid remains. It is ideal for food industry in general and meat industry in particular, since knives, punches, hooks, and other sharp tools can be used on the belt.

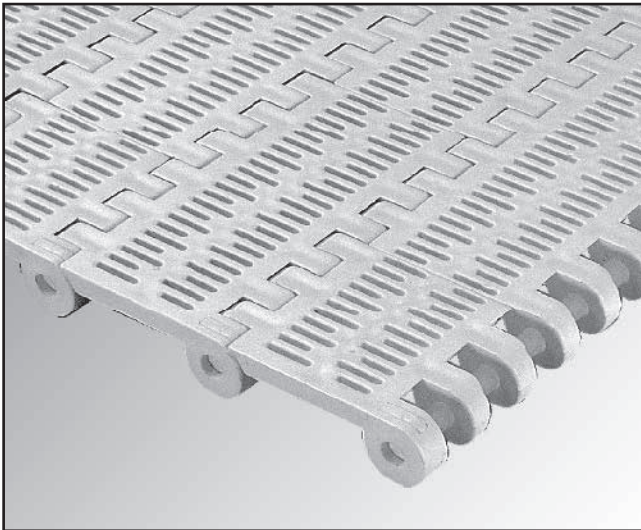


Pitch	50 mm
Surface	Flat Top
Open area	0 %
Thickness	16 mm
Drive system	Hinge
Belt width	Multiples of 16 mm
Rod diameter	Ø 6 mm
Retention system	Cap

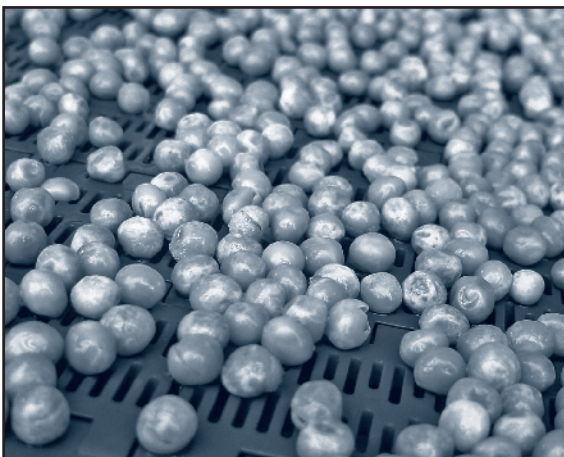
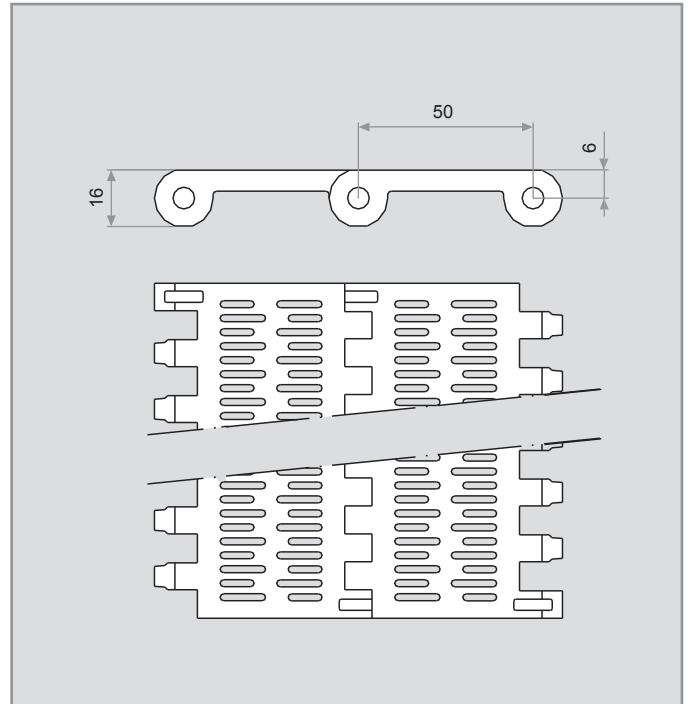
Material of the belt	Material of the rod	Belt strength (kg/m)	Temperature range (°C)	Belt weight (kg/m ²)	Available colours in stock
PP - Polypropylene	PP - Polypropylene	1,045	+1 to +104	6.73	[W] - [G] - [B]
PE - Polyethylene	PE - Polyethylene	475	-50 to +65	6.93	[N]
AC - Polyacetal	PP - Polypropylene	1,700	+1 to +90	10.12	[N] - [B]
	PE - Polyethylene	1,500	-40 to +65	10.16	[N] - [B]

Colours: [W] White - [G] Grey - [B] Blue - [N] Natural - [O] Black. // The materials and colours that are normally in stock are those above indicated. In special cases in which it is needed a belt in a material or colour different from those above mentioned, you should ask directly to EUROBELT.

SERIES E80 PERFORATED FLAT TOP



Eurobelt Series E80 Perforated Flat Top has a 24% open area and a completely smooth surface with grille-shaped small straight holes, not presenting any structural obstacle, which have the following dimensions: [13 x 2] and [10 x 2] mm.

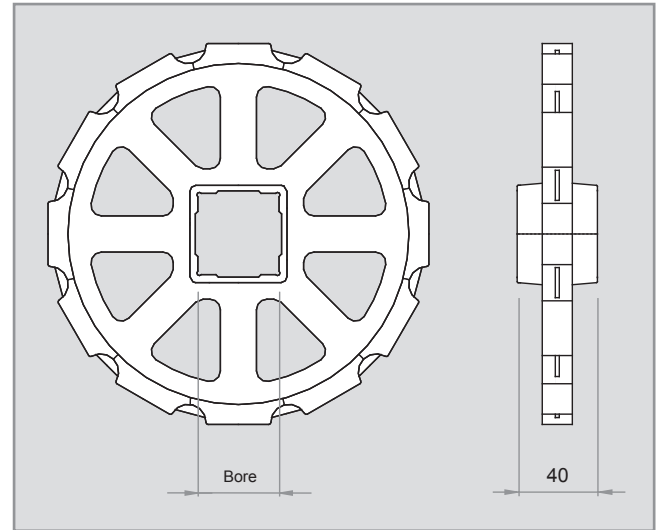
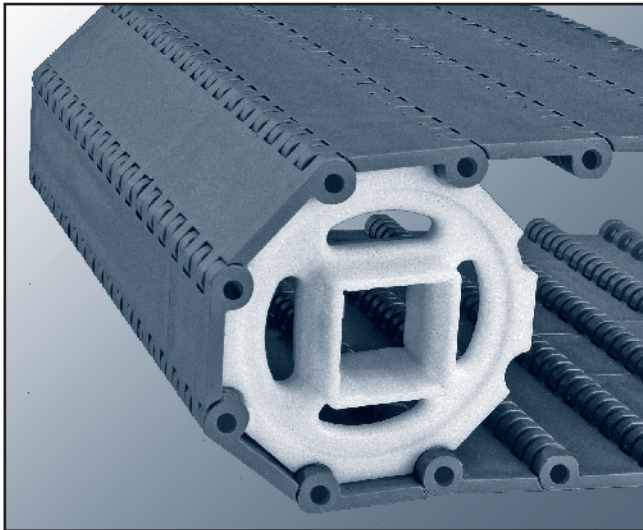


Pitch	50 mm
Surface	Perforated Flat Top
Open area	24 %
Dimensions of openings	[13 x 2] - [10 x 2] mm
Thickness	16 mm
Drive system	Hinge
Belt width	Multiples of 16 mm
Rod diameter	Ø 6 mm
Retention system	Cap

Material of the belt	Material of the rod	Belt strength (kg/m)	Temperature range (°C)	Belt weight (kg/m ²)	Available colours in stock
PP - Polypropylene	PP - Polypropylene	1,045	+1 to +104	5.40	[W] - [G]
PE - Polyethylene	PE - Polyethylene	475	-50 to +65	5.62	[N]
AC - Polyacetal	PP - Polypropylene	1,700	+1 to +90	8.15	[N] - [B]
	PE - Polyethylene	1,500	-40 to +65	8.19	[N] - [B]

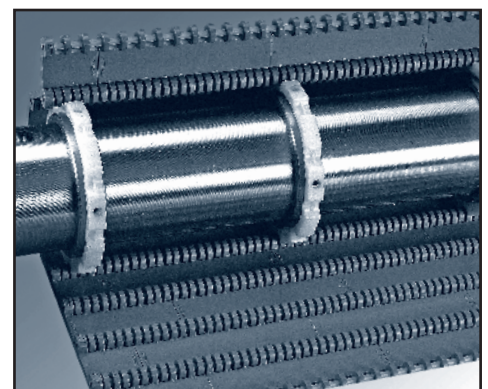
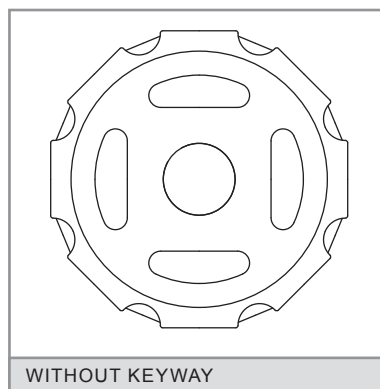
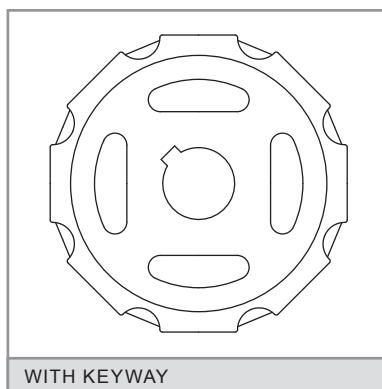
Colours: [W] White - [G] Grey - [B] Blue - [N] Natural - [O] Black. // The materials and colours that are normally in stock are those above indicated. In special cases in which it is needed a belt in a material or colour different from those above mentioned, you should ask directly to EUROBELT.

ACCESSORIES [SPROCKETS]



N° of teeth T	Ø Pitch	Bore for square shaft		Hub width	Materials
		mm	inch		
8	130,6	40	1.5"	40	Polypropylene
10	161,8	40 60	1.5"	40	
12	193,2	40 60	1.5"	40	
16	256,3	40	1.5"	40	Stainless steel
		60			
		90			

SPROCKETS FOR SQUARE SHAFT



We have plastic sprockets for round shaft with and without keyway. We also have sprockets to be used with motor drum in applications needing a special cleaning or in conveyors in which it is not possible to place the motor in the outside due to problems of space or safety.

ACCESSORIES [RETAINING RINGS]

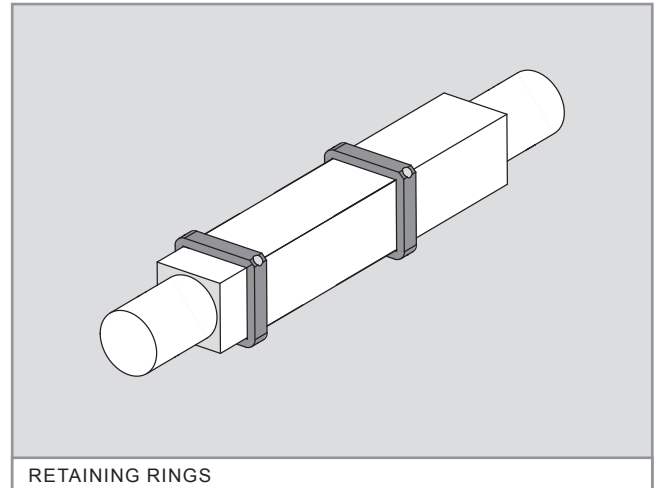
INSTALLATION

These rings are placed at every side of the central sprocket to fasten it to the shaft in order to avoid any lateral movements of the belt.

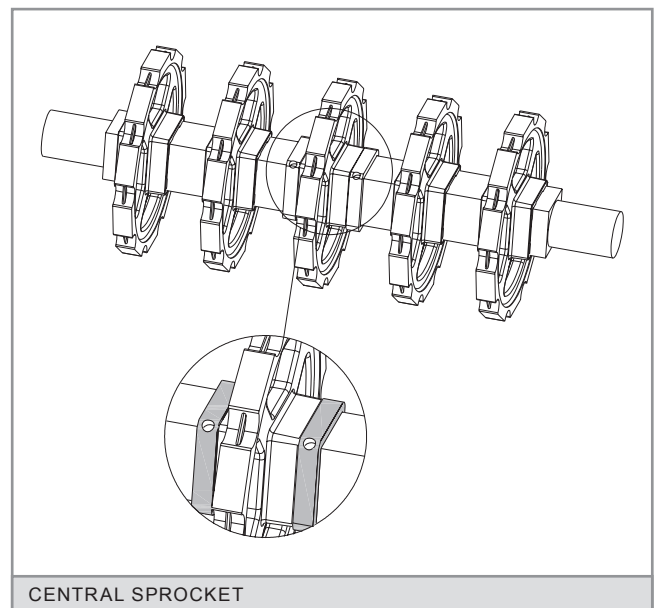
They are manufactured in AISI 316 stainless steel and they are fixed by means of a set screw stuffed in the ring itself.

One sprocket, duly fixed with 2 retaining rings, should be put in the centre. Then you should place the same quantity of sprockets at every side of the central one but without any fixing, as they will absorb the possible belt expansions and contractions.

The same procedure should be carried out in both shafts.



RETAINING RINGS



CENTRAL SPROCKET

Bore for square shaft	Screws
40	M 6 x 6
60	M 6 x 6
90	M 6 x 6

ACCESSORIES [FLIGHTS AND SIDE GUARDS]



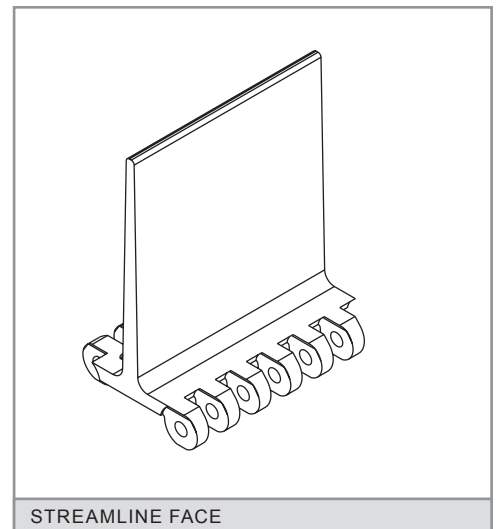
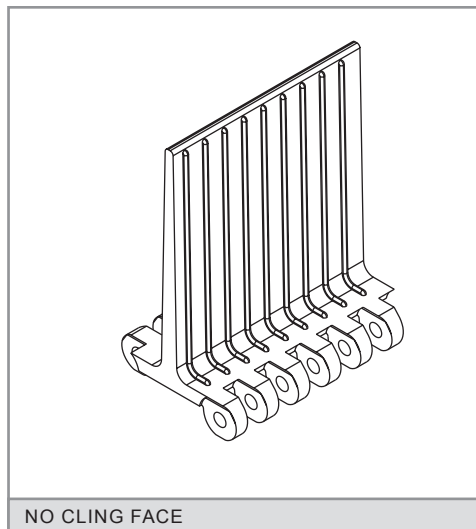
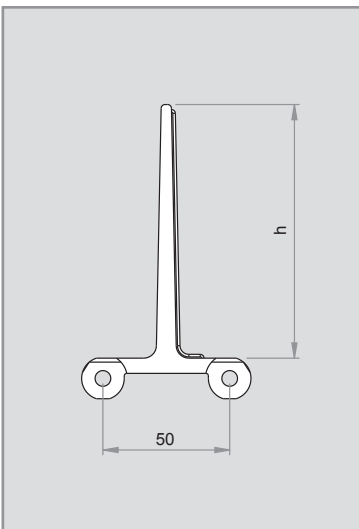
The **flights** are plastic accessories to be inserted across the belt. They are used to push the product in ascent, descent or accompaniment applications, avoiding that it slips along the belt.

Its non-stick side has ribs that project over the surface to prevent the product from sticking.

The **side guards** are plastic accessories to be inserted into the belt structure to retain the product laterally, avoiding overflows and frictions with the conveyor structure itself.

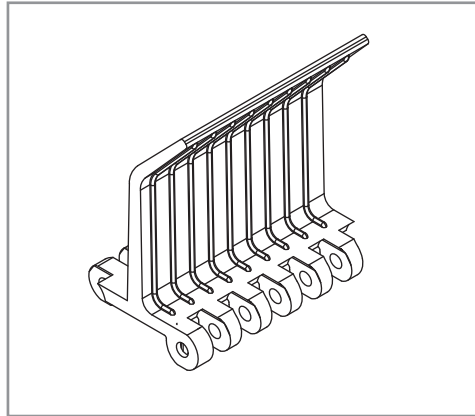
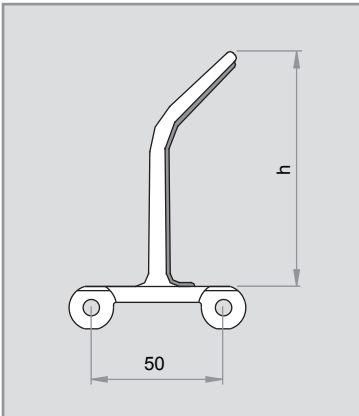
It is possible to cut down the standard height for special applications.

STRAIGHT FLIGHT [STREAMLINE + NO CLING]



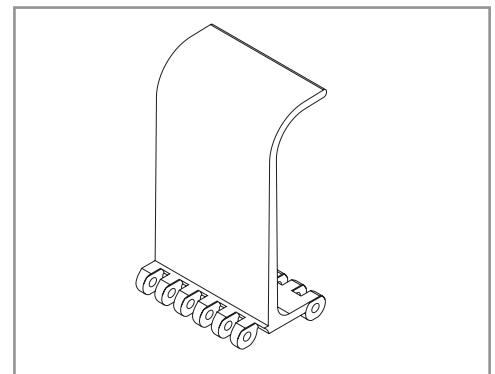
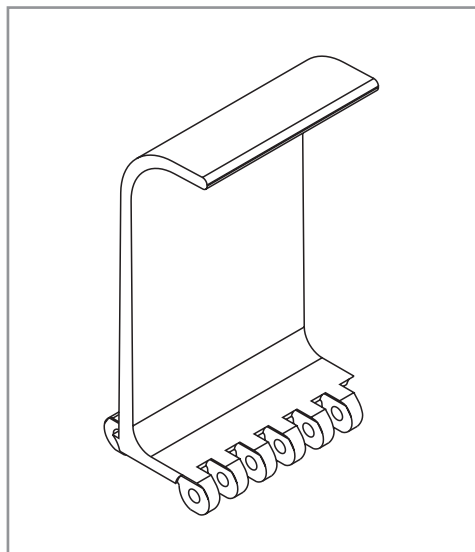
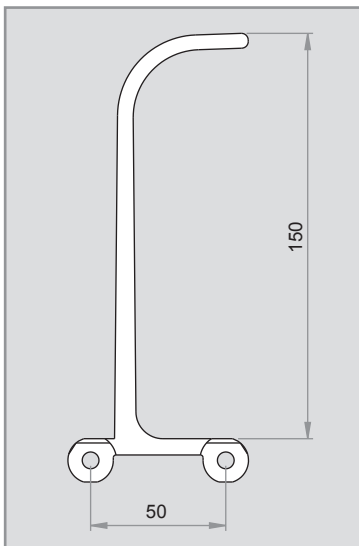
Height (h)	Materials
25	Polypropylene Polyethylene Polyacetal
50	
75	
100	
150	

TASSEAUX COURBE



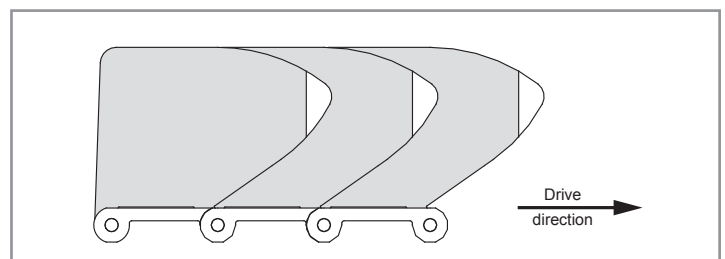
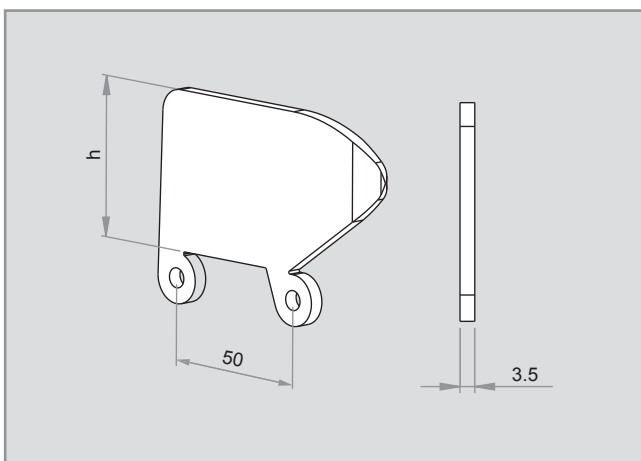
Altura (h)	Material
45	Polypropylene Polyethylene Polyacetal
70	
90	
140	

SCOOP FLIGHT



Height (h)	Materials
150	Polypropylene Polyethylene

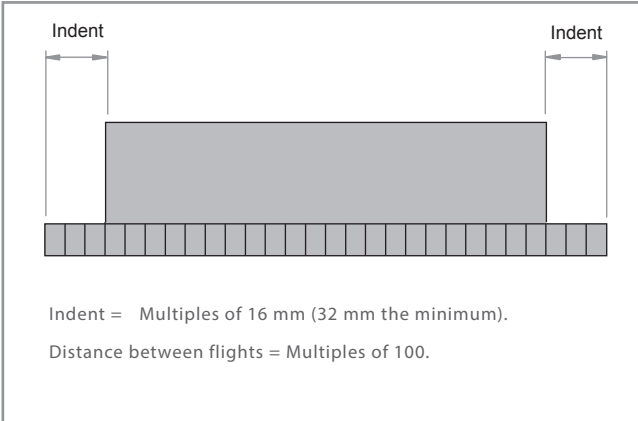
SIDE GUARDS



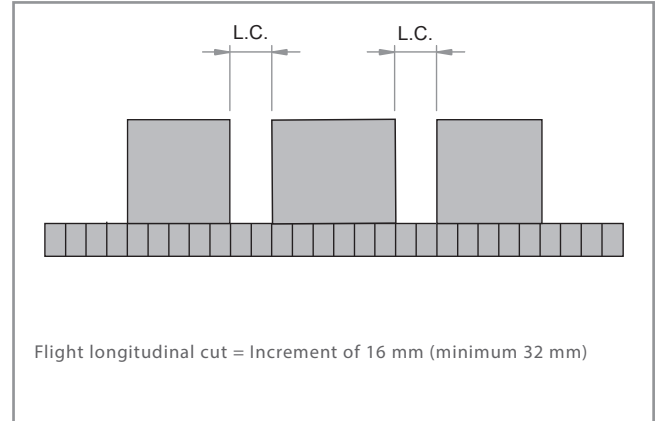
Height (h)	Materials
50	Polypropylene Polyethylene Polyacetal
75	
100	

TECHNICAL DATA [FLIGHTS AND SIDE GUARDS]

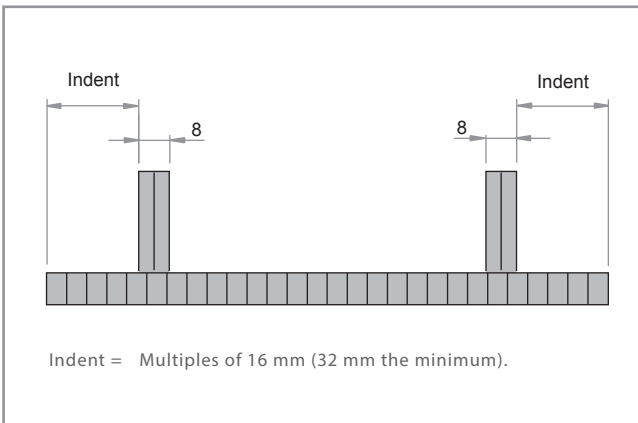
BELT ONLY WITH FLIGHTS



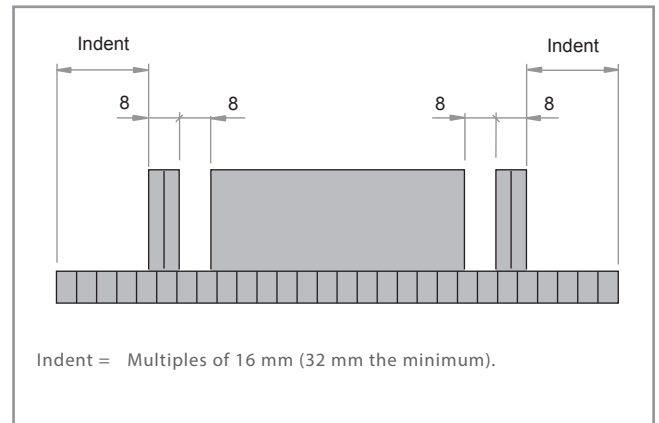
BELT WITH LONGITUDINAL CUTS



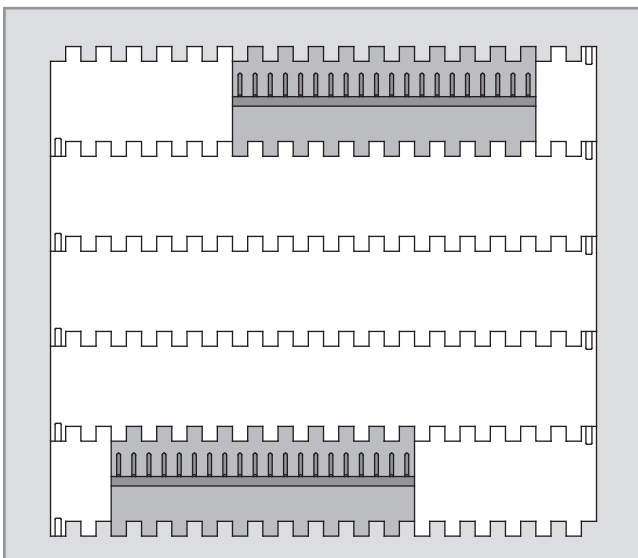
BELT ONLY WITH SIDE GUARDS



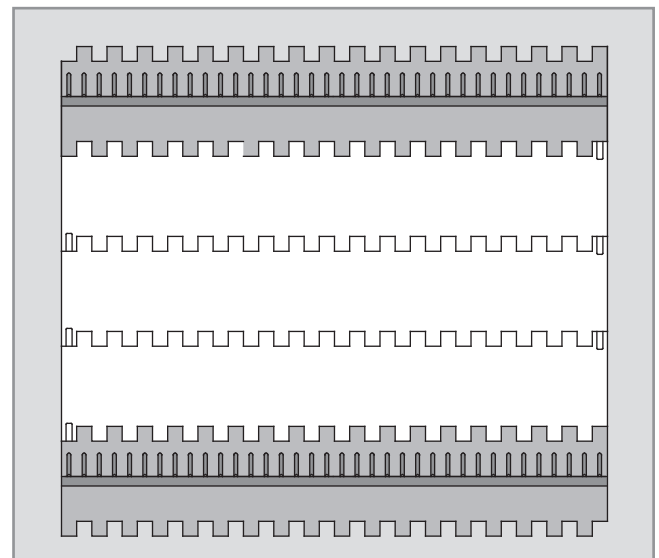
BELT WITH FLIGHTS AND SIDE GUARDS



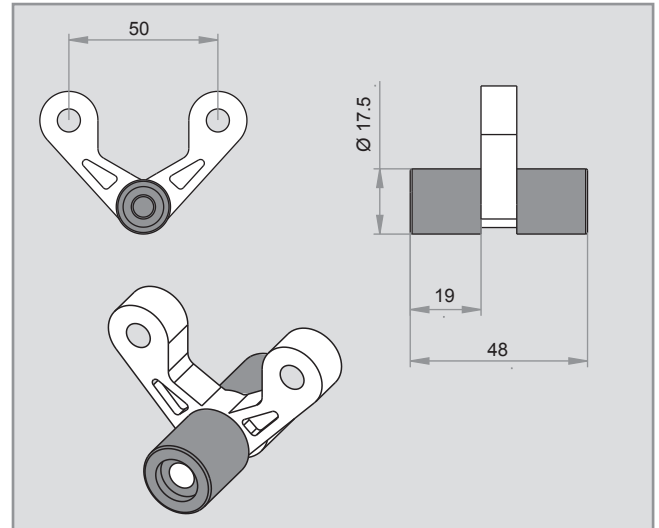
BELT WITH ZIGZAG FLIGHTS



BELT WITH FLIGHTS, WITHOUT INDENT



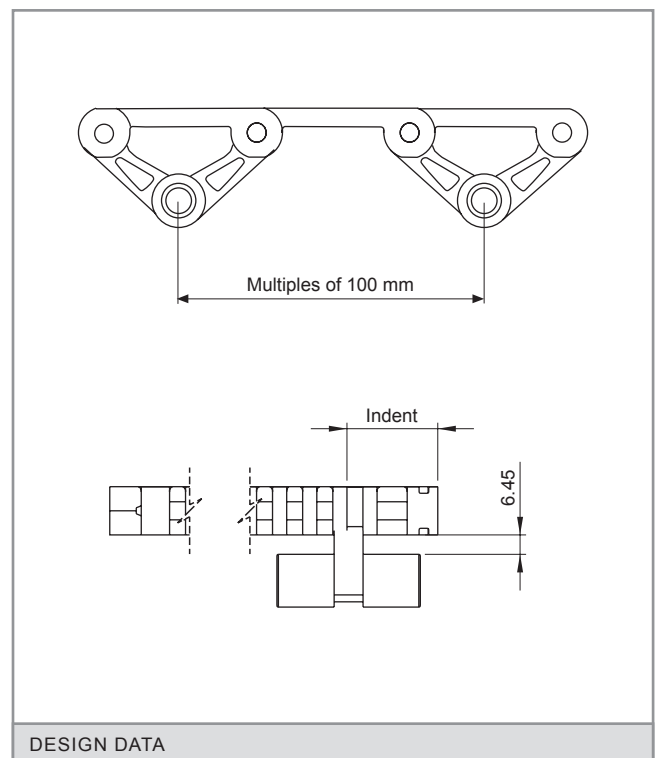
ACCESSORIES [HOLD-DOWN ROLLERS]



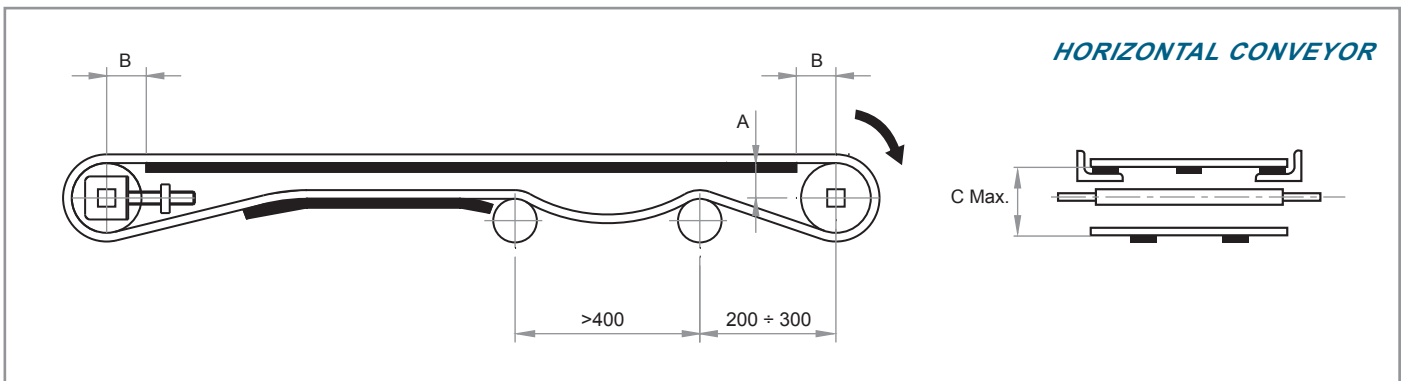
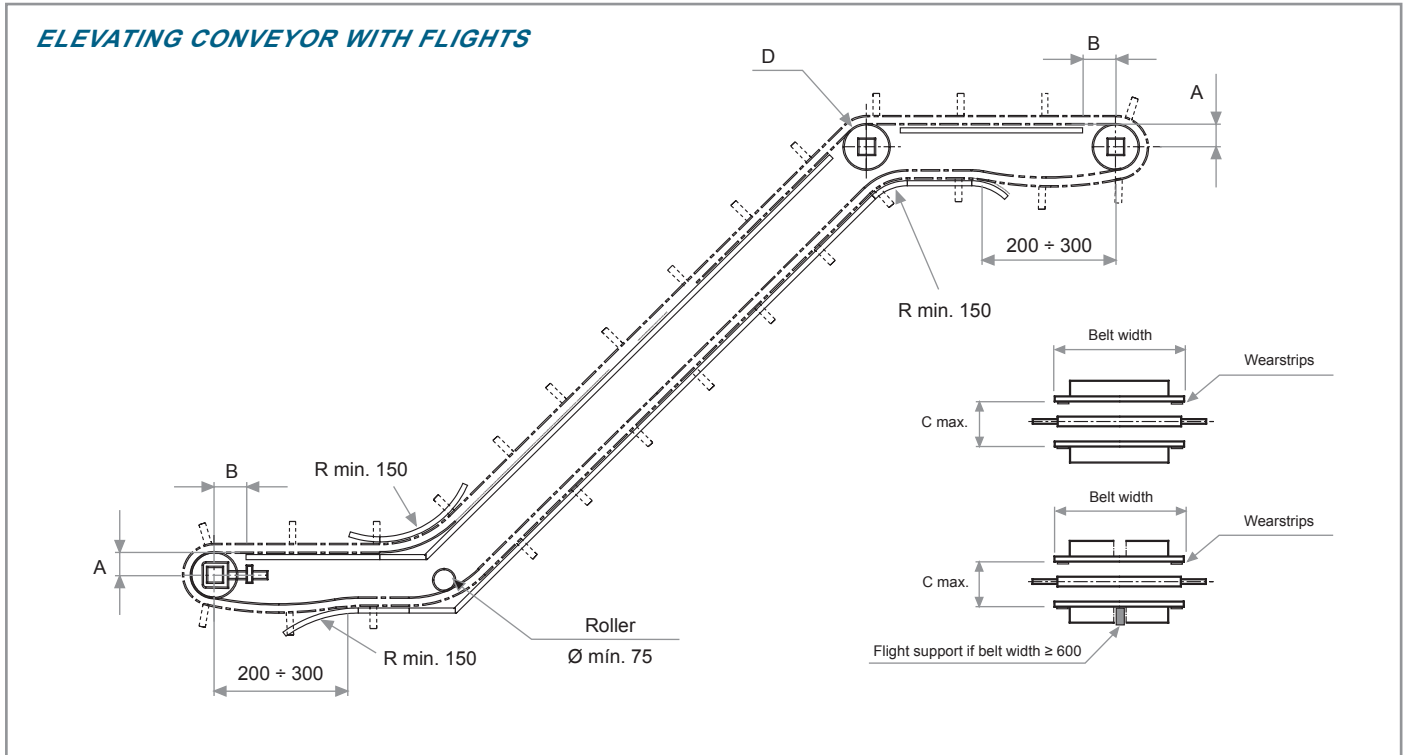
They are used to fasten the belt to the conveyor in all the inflexions. In applications in which the belt must be submerged, they are placed in the middle of the belt to prevent it from getting bent due to the flotation.

They will roll along rails fastened throughout the conveyor structure. It is recommended to place wearstrips to avoid the wear owing to rolling as far as possible.

The distance between the side edge of the belt and the centre of the hold-down roller (indent) must be a multiple of $8 \text{ mm} + 4$. Hold-down rollers can be used with any sprocket in Series E80.



CONSTRUCTION DATA [CONVEYOR]



[A] Distance between the sliding surface of the belt and the centre of the shaft.

[B] Distance between the vertical of the shaft and the beginning of the sliding surface.

[C] Distance between the sliding surface of the belt and the support of the return way.

[D] If sprockets are used in the inflexion shaft, do not retain the central one.

[R] This radius must be as big as allowed by the application in order to minimize the wear (min. 150 mm). For belts with side guards, consult about this radius.

In the construction of conveyors, the distances appearing in the chart below must be respected according to the belt Series and the size of the sprockets.

N° of teeth T	Ø Pitch	A	B max.	C max.
8	130.65	58	60	135
10	161.8	72	76	165
12	193.18	89	78	200
16	256.29	120	80	260

TABLE OF SPROCKETS AND WEARSTRIPS

Belt nominal width (mm)		Minimum quantity of sprockets per shaft	Minimum quantity of wearstrips	
			Transport way	Return way
80	144	1	2	2
160	448	3	2	2
464	752	5	3	2
768	1,056	7	5	3
1,072	1,344	9	6	4
1,360	1,648	11	7	5
1,664	1,952	13	9	6
1,968	2,256	15	10	7
2,272	2,544	17	11	8
2,560	2,848	19	12	9
2,864	3,152	21	14	10
3,168	3,456	23	15	11
3,472	3,744	25	16	12
3,760	4,048	27	18	13

To calculate the necessary minimum quantity of sprockets for the drive shaft as well as for the idle one, the next formula has been used:

$$\text{Minimum quantity} = \frac{\text{Belt width (mm)}}{150 \text{ mm}}$$

This amount must always be odd.

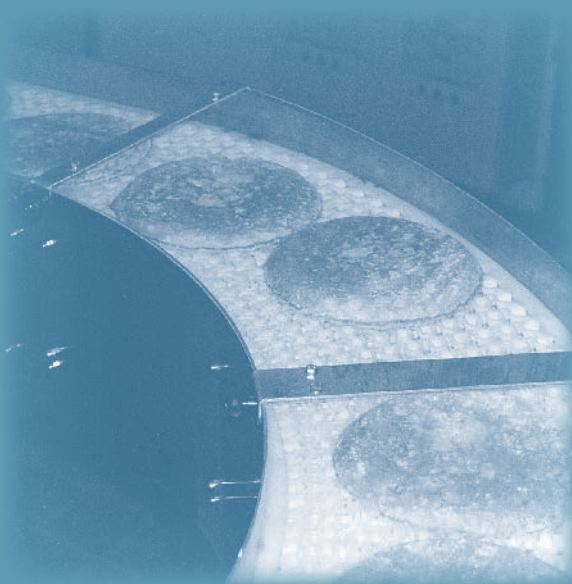
To calculate the quantity of supports, the weight of the product to be transported must be taken into account.

The distance between supports should not exceed 230 mm in the transport way or 300 mm in the return way.



SERIES E93

CURVES



FLUSH GRID S/L

FLUSH GRID C/L

CONIC

CONIC FRICTION

SLIDING ROLLERS

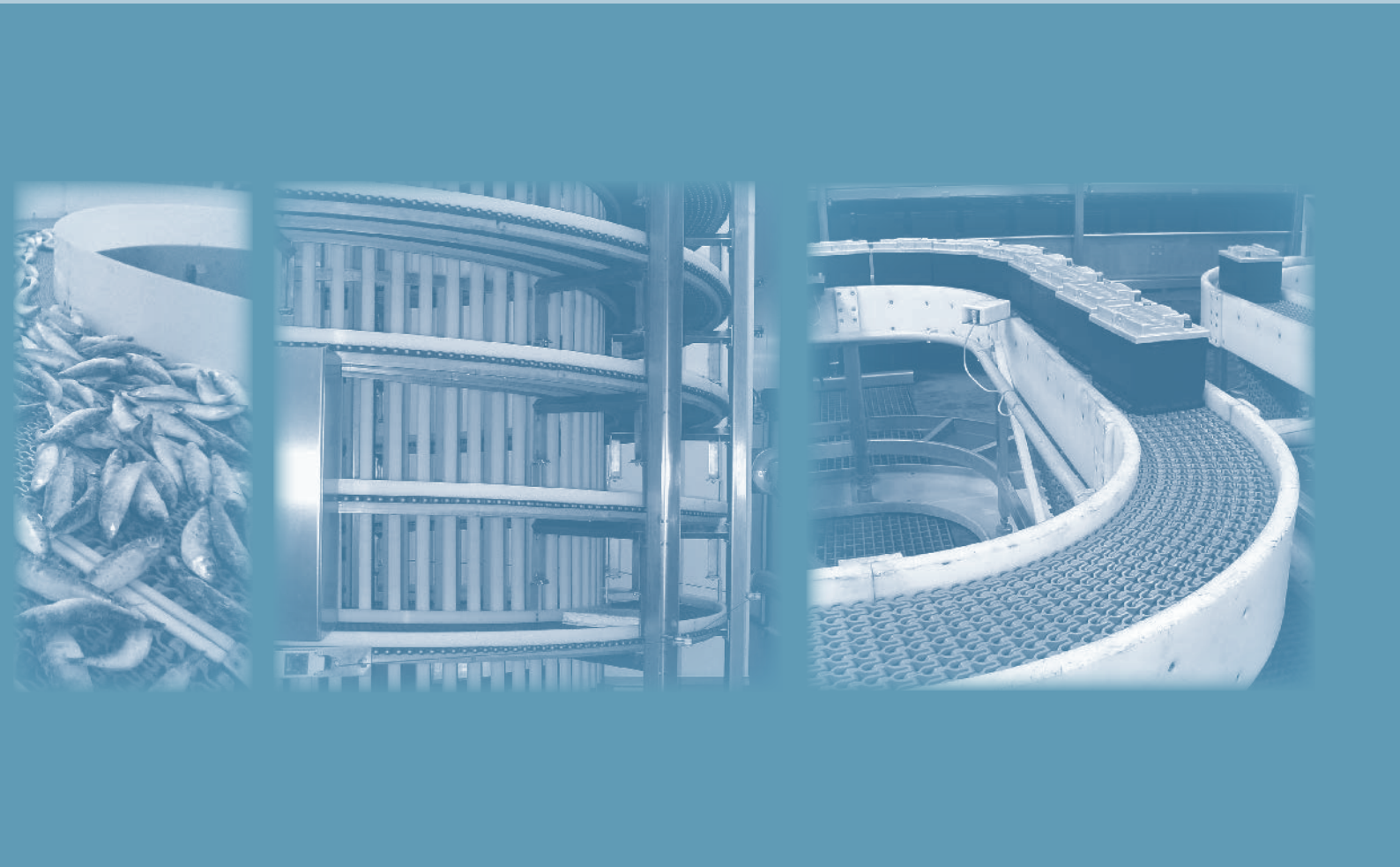
FLUSH GRID S/L

CONIC FRICTION

FLUSH GRID C/L

SLIDING ROLLERS

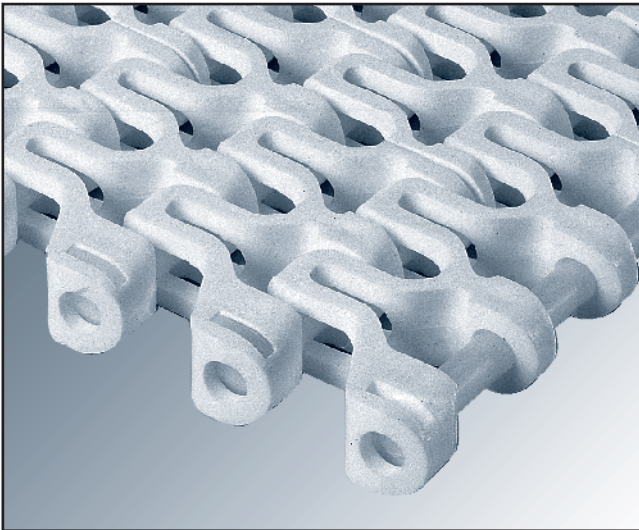
CONIC



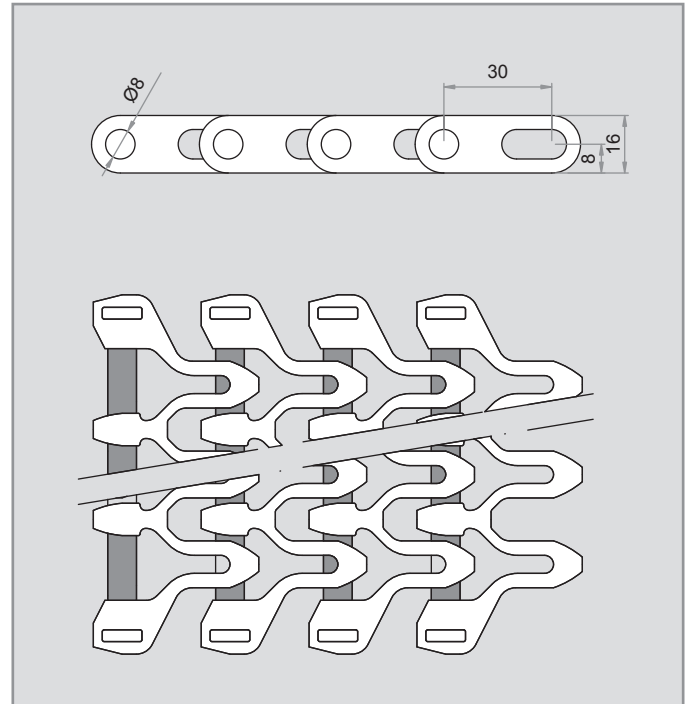
SERIES E93

CURVES

SERIES E93 FLUSH GRID WITHOUT EDGE TAB



This conveyor belt has Flush Grid geometry, with a 47% open area, and smooth and rounded edges, which provides an excellent drainage, a very easy cleaning, good sliding properties, as well as very low maintenance costs.

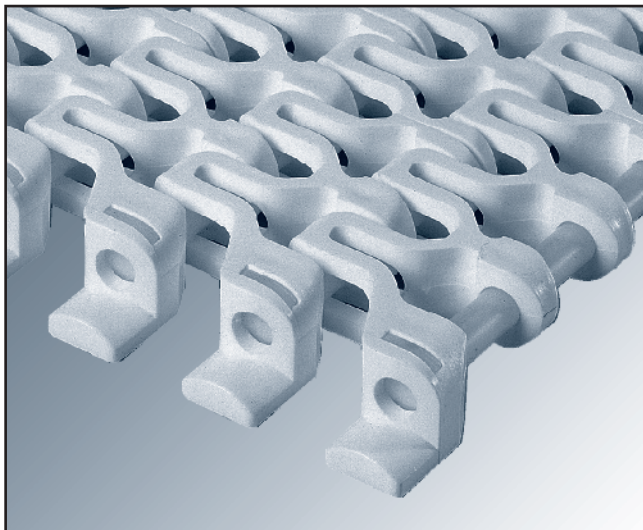


Pitch	30 mm
Surface	Flush Grid without edge tab
Open area	47 %
Maximum opening (approx.)	[22 x 5] mm
Thickness	16 mm
Drive system	Hinge
Belt width	Multiples of 25 mm
Turn radius for curves	2.2 times the belt width
Rod diameter	Ø 8 mm
Retention system	Clip

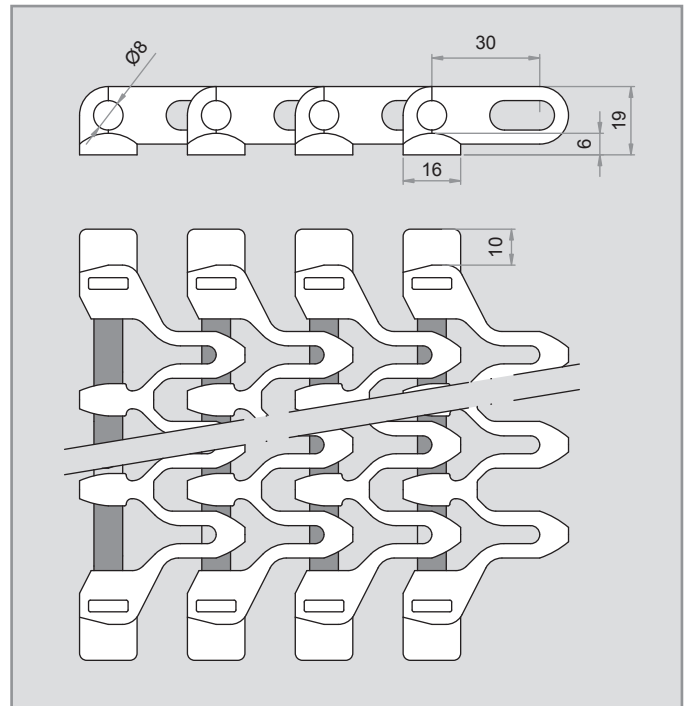
Material of the belt	Material of the rod	Belt strength (kg/m)		Temperature range (°C)	Belt weight (kg/m ²)	Available colours in stock
		Straight	Curved			
PP - Polypropylene	AC - Polyacetal	2,400	170	+1 to +90	7.14	[W] - [G]
PE - Polyethylene		1,520	100	-50 to +65	7.39	[N]
AC - Polyacetal		3,800	170	-40 to +90	9.80	[B] - [N]

Colours: [W] White - [G] Grey - [B] Blue - [N] Natural - [O] Black. // The materials and colours that are normally in stock are those above indicated. In special cases in which it is needed a belt in a material or colour different from those above mentioned, you should ask directly to EUROBELT.

SERIES E93 FLUSH GRID WITH EDGE TAB



Their tabs are lateral ends located in the lower edge of the belt and are used to fasten it without interfering in the transport area, so that the product can exceed the belt width in the turns. The rounded shape of the tabs reduces the points of friction with the hold-down profiles, which contributes to increase the life of the belt.



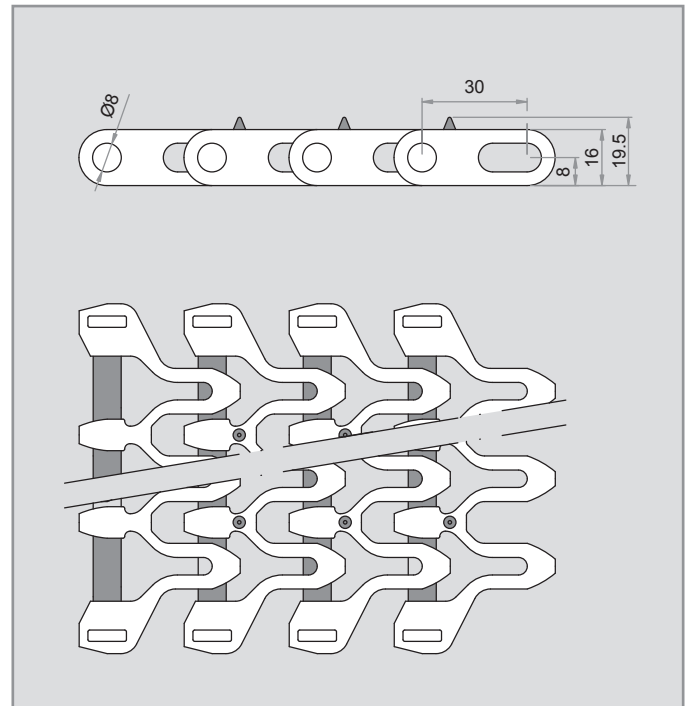
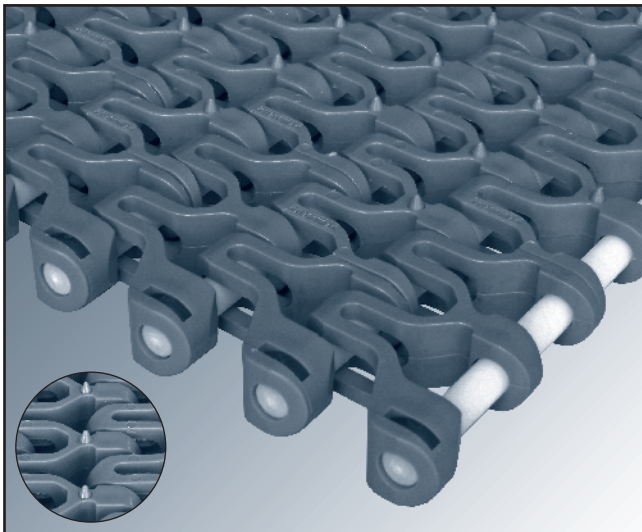
Pitch	30 mm
Surface	Flush Grid with edge tab
Open area	47 %
Maximum opening (approx.)	[22 x 5] mm
Thickness	19 mm
Drive system	Hinge
Belt width	Multiples of 25 mm ⁽¹⁾
Turn radius for curves	2.2 times the belt width
Rod diameter	Ø 8 mm
Retention system	Clip

Material of the belt	Material of the rod	Belt strength (kg/m)		Temperature range (°C)	Belt weight (kg/m ²)	Available colours in stock
		Straight	Curved			
PP - Polypropylene	AC - Polyacetal	2,400	170	+1 to +90	7.23	[W] - [G]
PE - Polyethylene		1,520	100	-50 to +65	7.44	[N]
AC - Polyacetal		3,800	170	-40 to +90	9.93	[B] - [N]

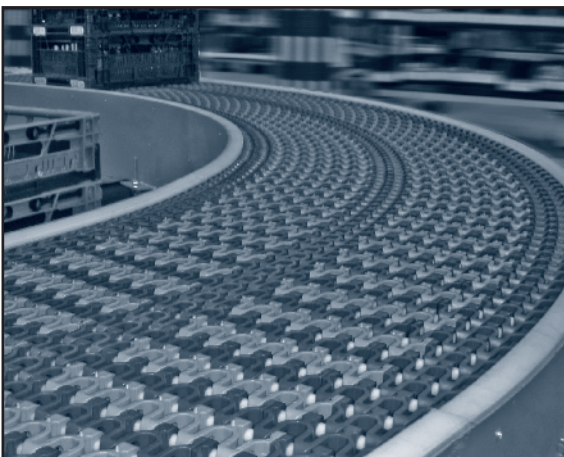
Colours: [W] White - [G] Grey - [B] Blue - [N] Natural - [O] Black. // The materials and colours that are normally in stock are those above indicated. In special cases in which it is needed a belt in a material or colour different from those above mentioned, you should ask directly to EUROBELT.

⁽¹⁾ For a belt with tabs, its width will always be referred to the usable width without taking into account the tabs.

SERIES E93 CONIC



Eurobelt Series E93 Conic has a smooth surface with small conic-shaped projections that provide a greater coefficient of friction, as well as they avoid the slippery products to change their position during the conveyance.



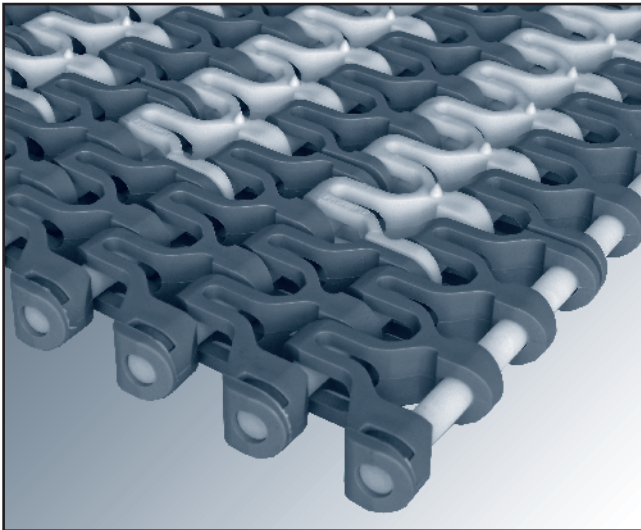
Pitch	30 mm
Surface	Conic
Open area	47 %
Drive system	Hinge
Belt width	Multiples of 25 mm ⁽¹⁾
Turn radius for curves	2.2 times the belt width
Rod diameter	Ø 8 mm
Retention system	Clip
Indent	[37.5] - [62.5] - [87.5] mm
Spacing of conic	Multiples of 30 mm

Material of the belt	Material of the rod	Belt strength (kg/m)		Temperature range (°C)	Available colours in stock
		Straight	Curved		
PP - Polypropylene	AC - Polyacetal	2,400	170	+1 to +90	[W] - [G]
PE - Polyethylene		1,520	100	-50 to +65	[N]
AC - Polyacetal		3,800	170	-40 to +90	[B] - [N]

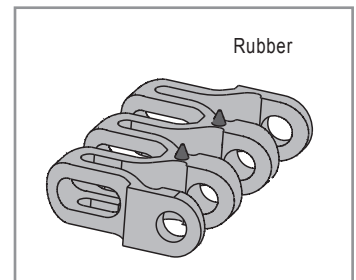
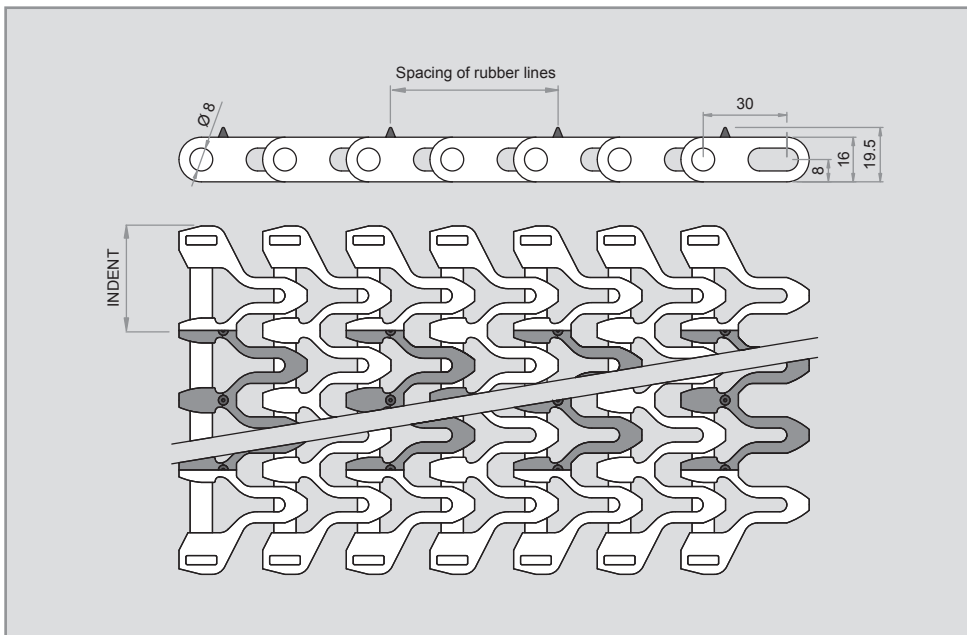
Colours: [W] White - [G] Grey - [B] Blue - [N] Natural - [O] Black. // The materials and colours that are normally in stock are those above indicated. In special cases in which it is needed a belt in a material or colour different from those above mentioned, you should ask directly to EUROBELT.

⁽¹⁾ For a belt with tabs, its width will always be referred to the usable width without taking into account the tabs.

SERIES E93 CONIC FRICTION



Pitch	30 mm
Surface	Conic Friction
Open area	47 %
Drive system	Hinge
Belt width	Multiples of 25 mm ⁽¹⁾
Turn radius for curves	2.2 times the belt width
Rod diameter	Ø 8 mm
Retention system	Clip
Rubber hardness grades	Shore A60
Indent	[37.5] - [62.5] - [87.5] mm
Spacing of rubber lines	Multiples of 30 mm, minimum 60 mm

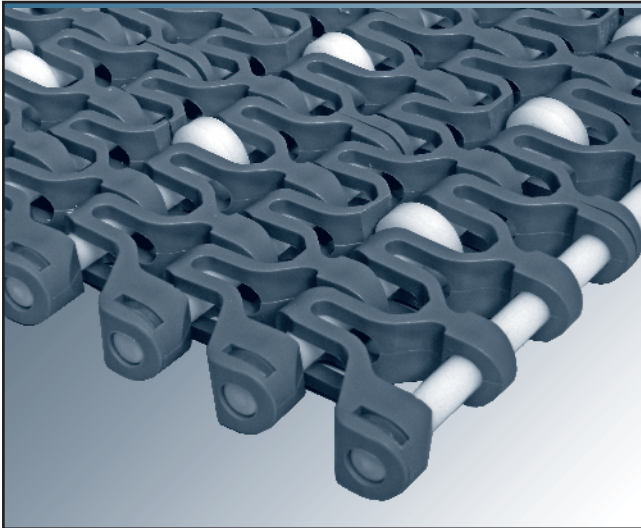


Surface of the belt	Material of the belt	Material of the rod	Belt strength (kg/m)		Temperature range (°C)	Available colours in stock
			Straight	Curved		
Flush Grid	PP - Polypropylene	AC - Polyacetal	2,400	170	+1 to +90	[W] - [G]
	PE - Polyethylene		1,520	100	-50 to +65	[N]
	AC - Polyacetal		3,800	170	-40 to +90	[B] - [N]

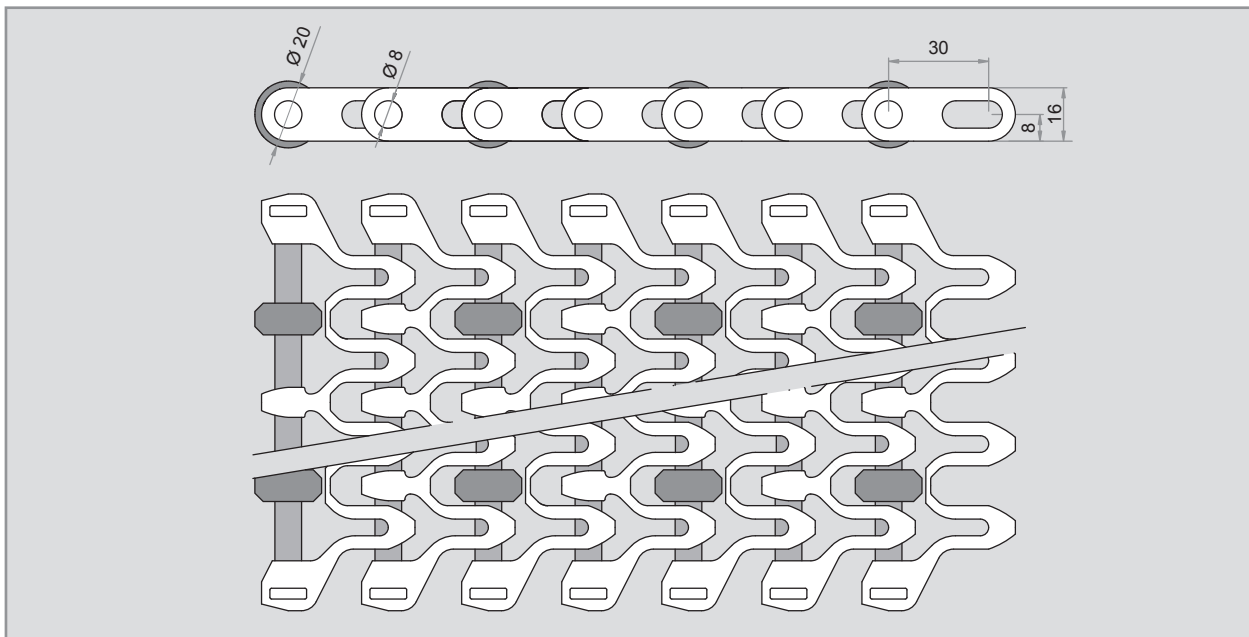
Colours: [W] White - [G] Grey - [B] Blue - [N] Natural - [O] Black. // The materials and colours that are normally in stock are those above indicated. In special cases in which it is needed a belt in a material or colour different from those above mentioned, you should ask directly to EUROBELT.

⁽¹⁾ For a belt with tabs, its width will always be referred to the usable width without taking into account the tabs.

SERIES E93 SLIDING ROLLERS



Pitch	30 mm
Surface	Sliding Rollers
Drive system	Hinge
Belt width	Multiples of 25 mm ⁽¹⁾
Turn radius for curves	2.2 times the belt width ⁽²⁾
Rod diameter	Ø 8 mm
Retention system	Clip
Diameter of small roller	Ø 20 mm
Width of small roller	10 mm
Material of small roller	Polyacetal
Sliding Rollers pitch	Multiples of 30 mm



Surface of the belt	Material of the belt	Material of the rod	Belt strength (kg/m)		Temperature range (°C)	Available colours in stock
			Straight	Curved		
Flush Grid	PP - Polypropylene	AC - Polyacetal	2,400	170	+1 to +90	[W] - [G]
	PE - Polyethylene		1,520	100	-50 to +65	[N]
	AC - Polyacetal		3,800	170	-40 to +90	[B] - [N]

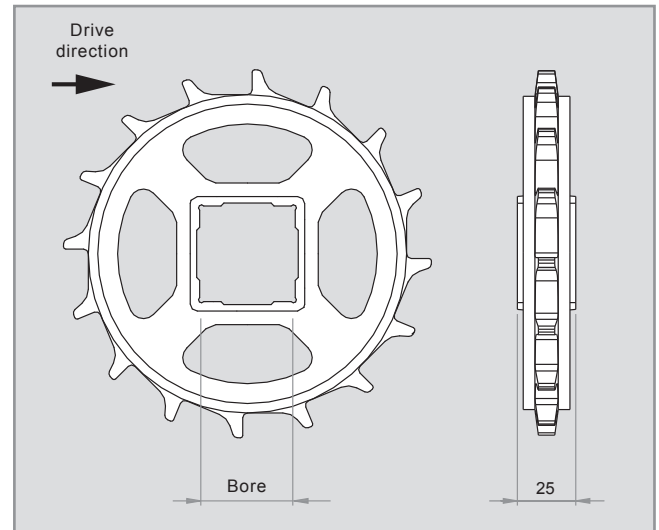
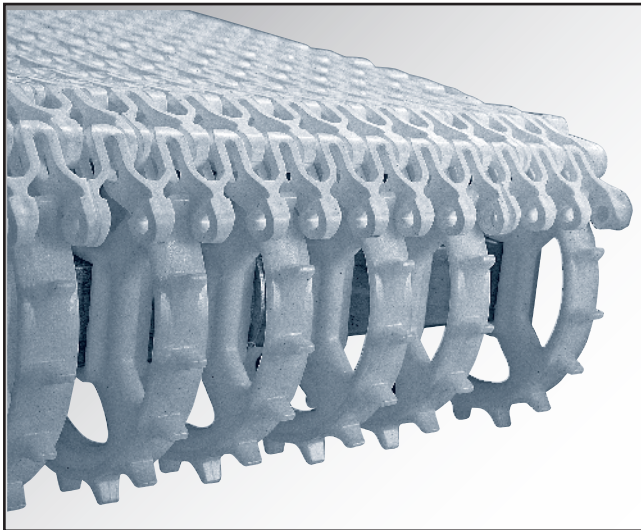
This conveyor belt has been designed mainly to solve problems of conveyance of boxes, containers, etc.

Colours: [W] White - [G] Grey - [B] Blue - [N] Natural - [O] Black. // The materials and colours that are normally in stock are those above indicated. In special cases in which it is needed a belt in a material or colour different from those above mentioned, you should ask directly to EUROBELT.

⁽¹⁾ For a belt with tabs, its width will always be referred to the usable width without taking into account the tabs.

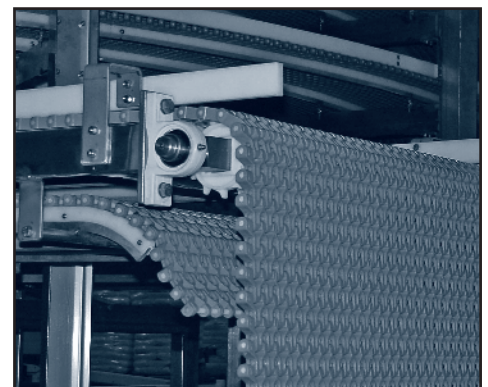
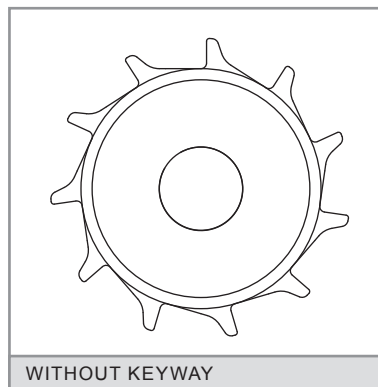
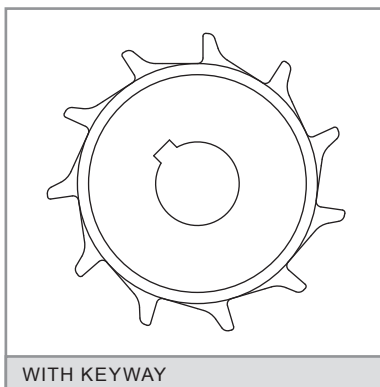
⁽²⁾ The turn radius can vary according to the existing gap between the belt end and the closest roller.

ACCESSORIES [SPROCKETS]



N° of teeth T	Ø Pitch	Bore for square shaft		Hub width	Materials
		mm	inch		
11	106.5	40	1,5"	25	Polypropylene
16	153.5	40 60	1,5"	25	Polyacetal
20	191.5	40 60	1,5"	25	Stainless steel

SPROCKETS FOR SQUARE SHAFT



We have plastic sprockets for round shaft with and without keyway. We also have sprockets to be used with motor drum in applications needing a special cleaning or in conveyors in which it is not possible to place the motor in the outside due to problems of space or safety.

ACCESSORIES [RETAINING RINGS]

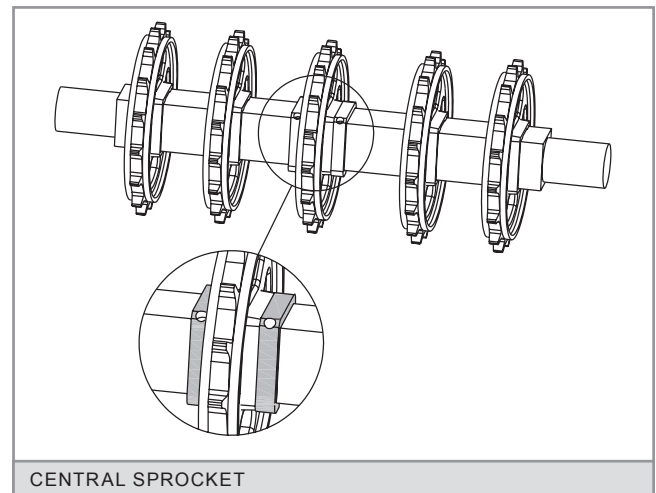
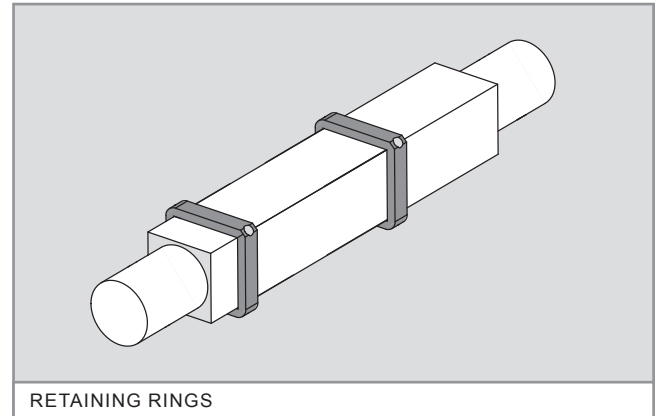
INSTALLATION

These rings are placed at every side of the central sprocket to fasten it to the shaft in order to avoid any lateral movements of the belt.

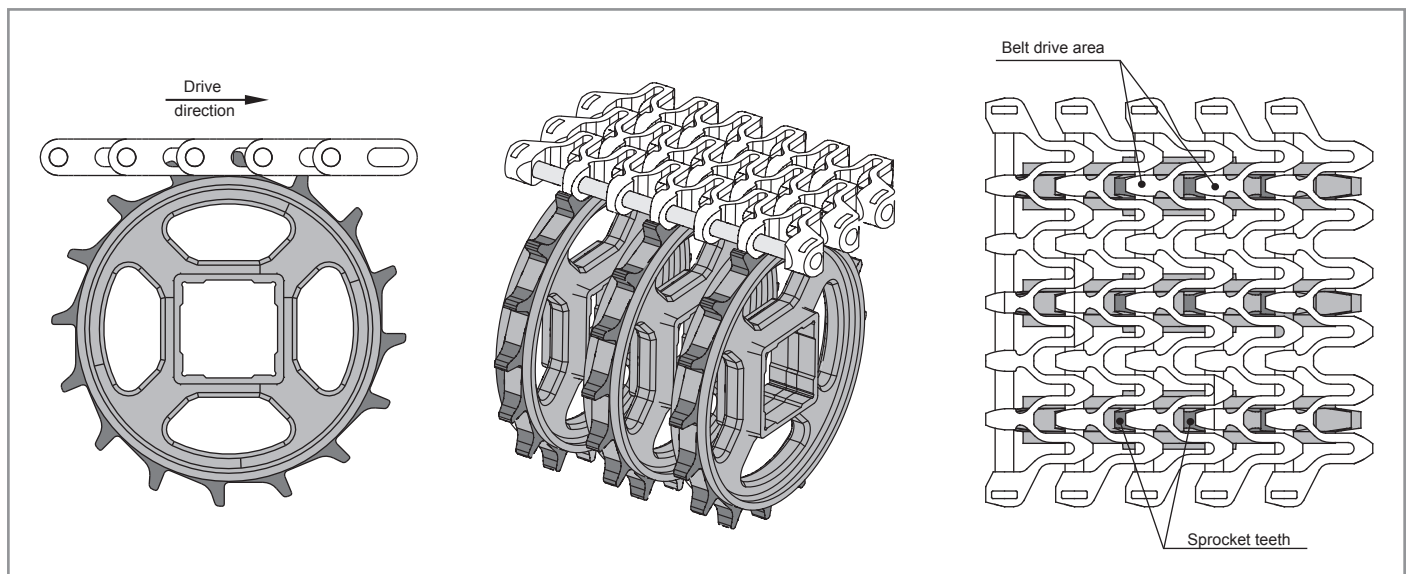
They are manufactured in AISI 316 stainless steel and they are fixed by means of a set screw stuffed in the ring itself.

One sprocket, duly fixed with 2 retaining rings, should be put in the centre. Then you should place the same quantity of sprockets at every side of the central one but without any fixing, as they will absorb the possible belt expansions and contractions.

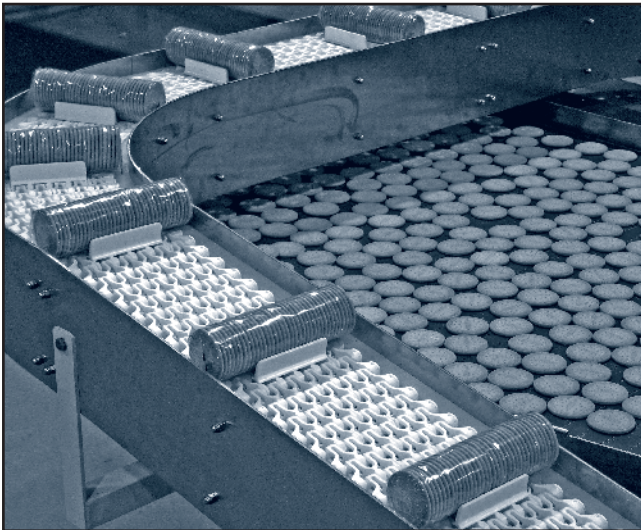
The same procedure should be carried out in both shafts.



Bore for square shaft	Screws
40	M 6 x 6
60	M 6 x 6



ACCESSORIES [FLIGHTS]



The flights are plastic accessories to be inserted across the belt. They are used to push the product in ascent, descent or accompaniment applications, avoiding that it slips along the belt.

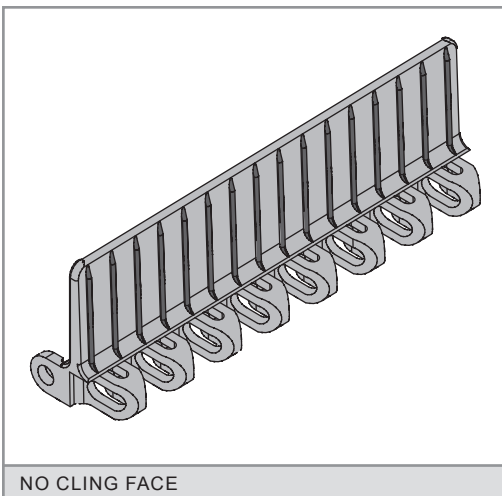
Its non-stick side has ribs that project over the surface to prevent the product from sticking.

Their edges are completely rounded to avoid any damage of the product.

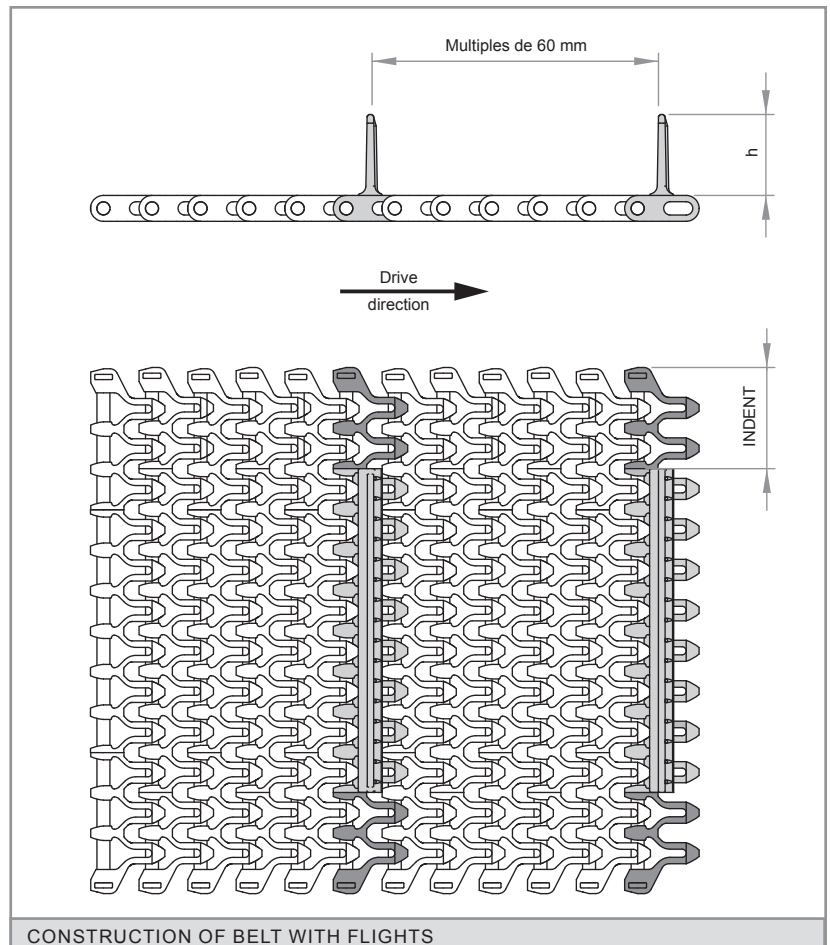
They can be used both in right and in curve sections.

It is possible to cut down the standard height for special applications.

STRAIGHT FLIGHT [STREAMLINE + NO CLING]

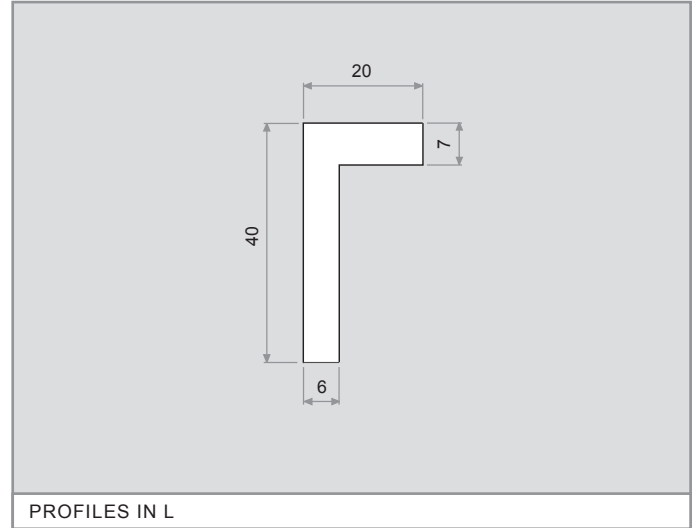


Height (h)	25 mm 50 mm
Materials	Polypropylene Polyethylene Polyacetal
Indent	37.5 mm 62.5 mm 87.5 mm



CONSTRUCTION OF BELT WITH FLIGHTS

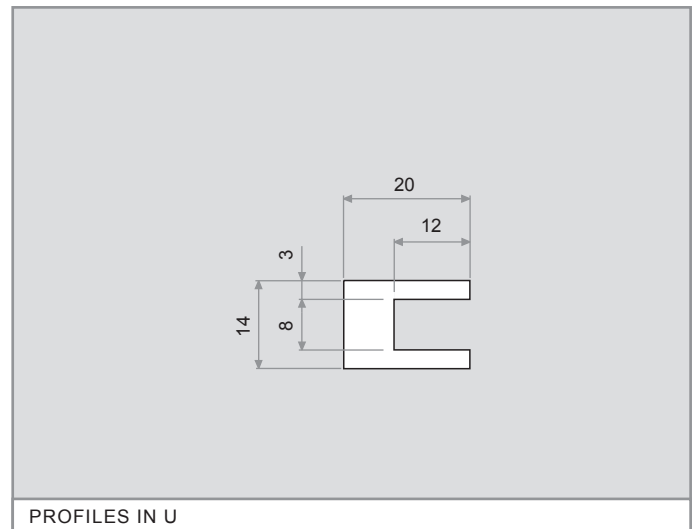
ACCESSORIES [HOLD-DOWN PROFILES]



To make the fastening and the support of the belt, EUROBELT has designed two types of hold-down profiles with different geometries, but with the same uses and services.

These profiles, with a low coefficient of friction, are placed between the belt and the structure of the conveyor, reducing the wear of the surfaces in contact, which contributes to prolong the life of the belt.

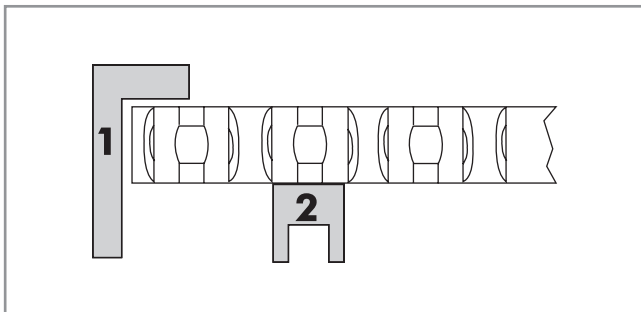
EUROBELT offers all the hold-down profiles in special polyethylenes with very good sliding properties and an excellent resistance to impact.



	Dimensions	Materials
Profiles in L	40 x 20 x 2.000	Polyethylene
Profiles in U	20 x 14 x 2.000	

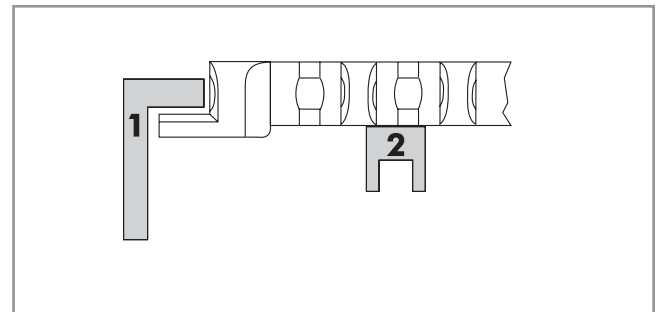
The hold-down profiles must always be placed in all turns to fasten the belt. This fastening will be carried out in different ways depending on the type to be used:

BELT WITHOUT EDGE TAB

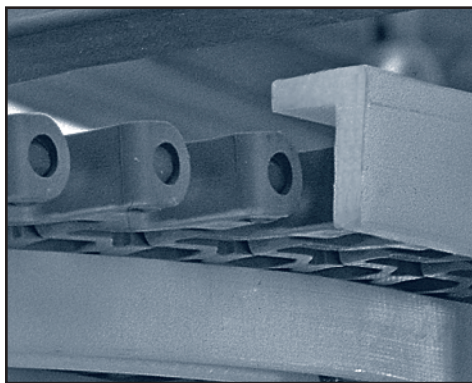


The fastening will be made above the upper side of the belt.

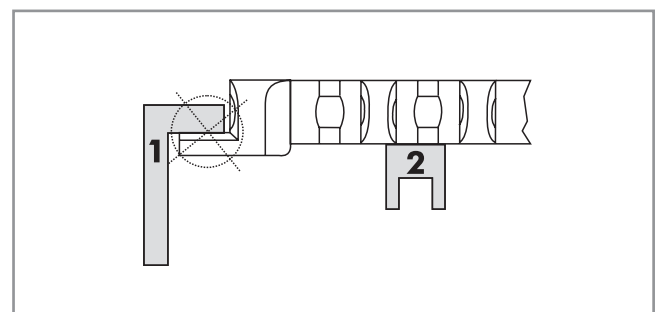
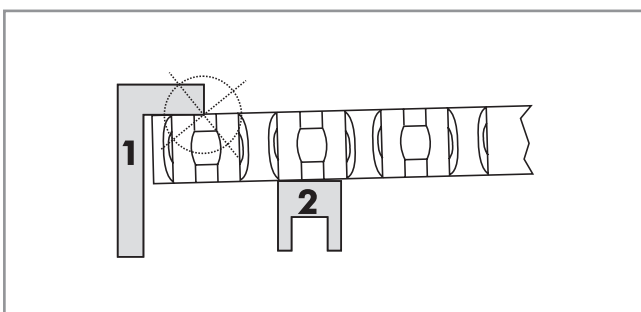
BELT WITH EDGE TAB



The fastening will be made over the tab. Thus, the carry way remains free of any interference.

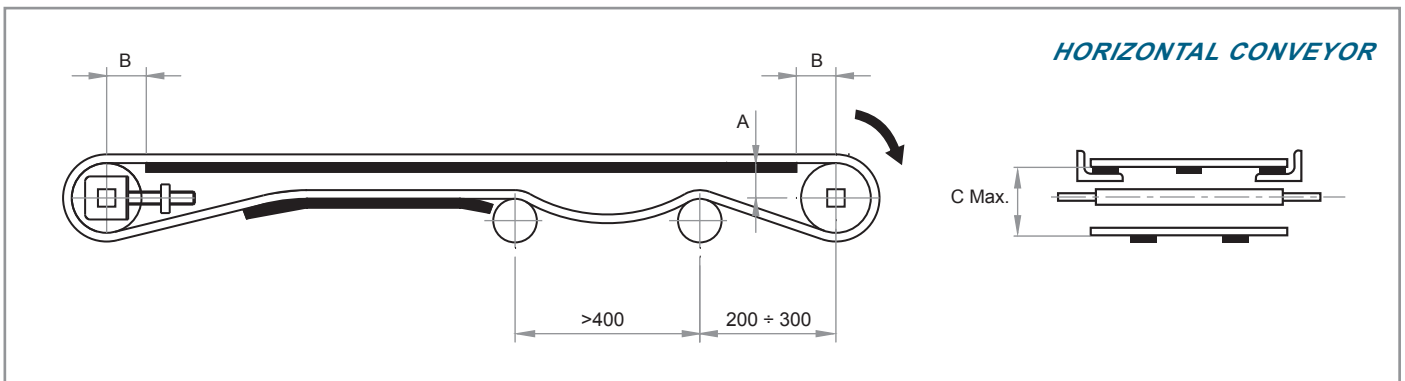
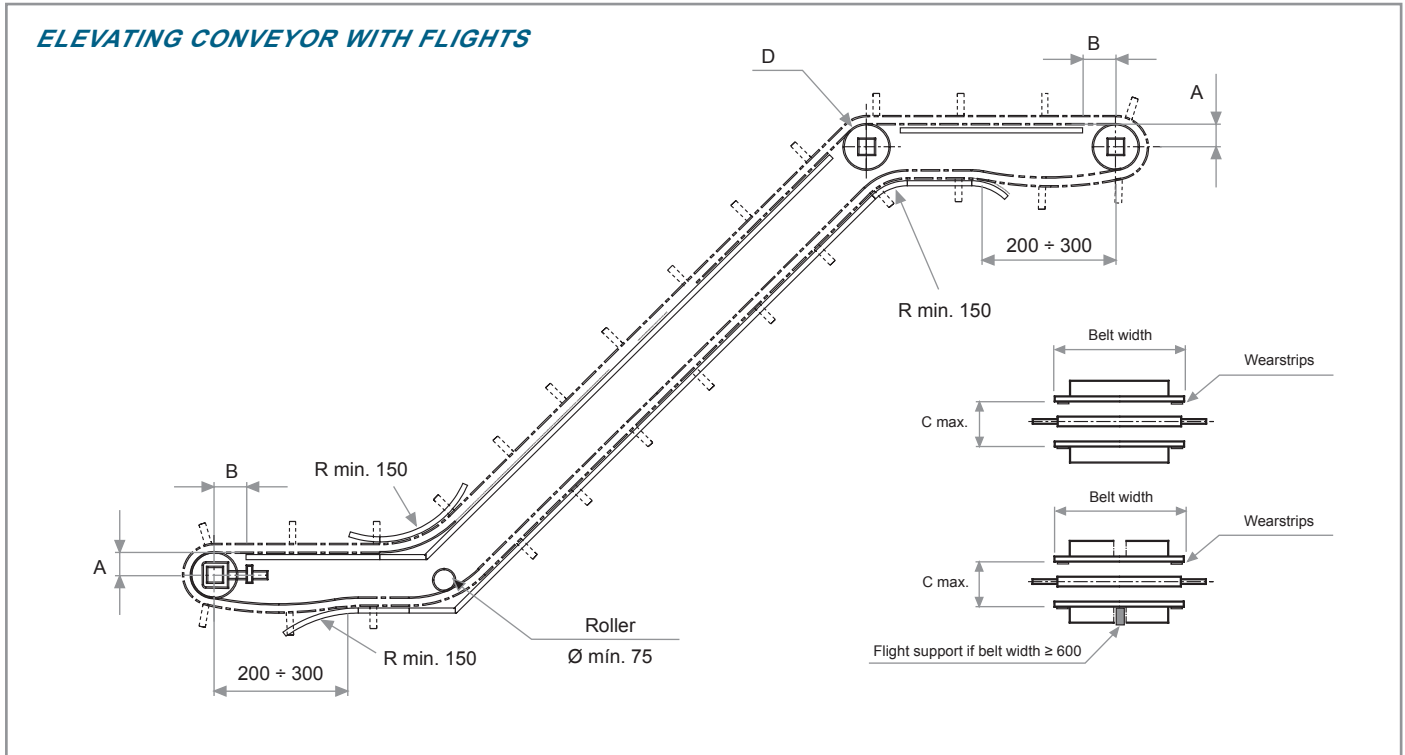


The hold-down profiles must not be in contact with the belt (see the pictures below):



In cases in which there is going to be some manipulation on the belt, the lateral edges should be covered with a protection of 20 mm approximately, as a safety measure.

CONSTRUCTION DATA [CONVEYOR]



[A] Distance between the sliding surface of the belt and the centre of the shaft.

[B] Distance between the vertical of the shaft and the beginning of the sliding surface.

[C] Distance between the sliding surface of the belt and the support of the return way.

[D] If sprockets are used in the inflexion shaft, do not retain the central one.

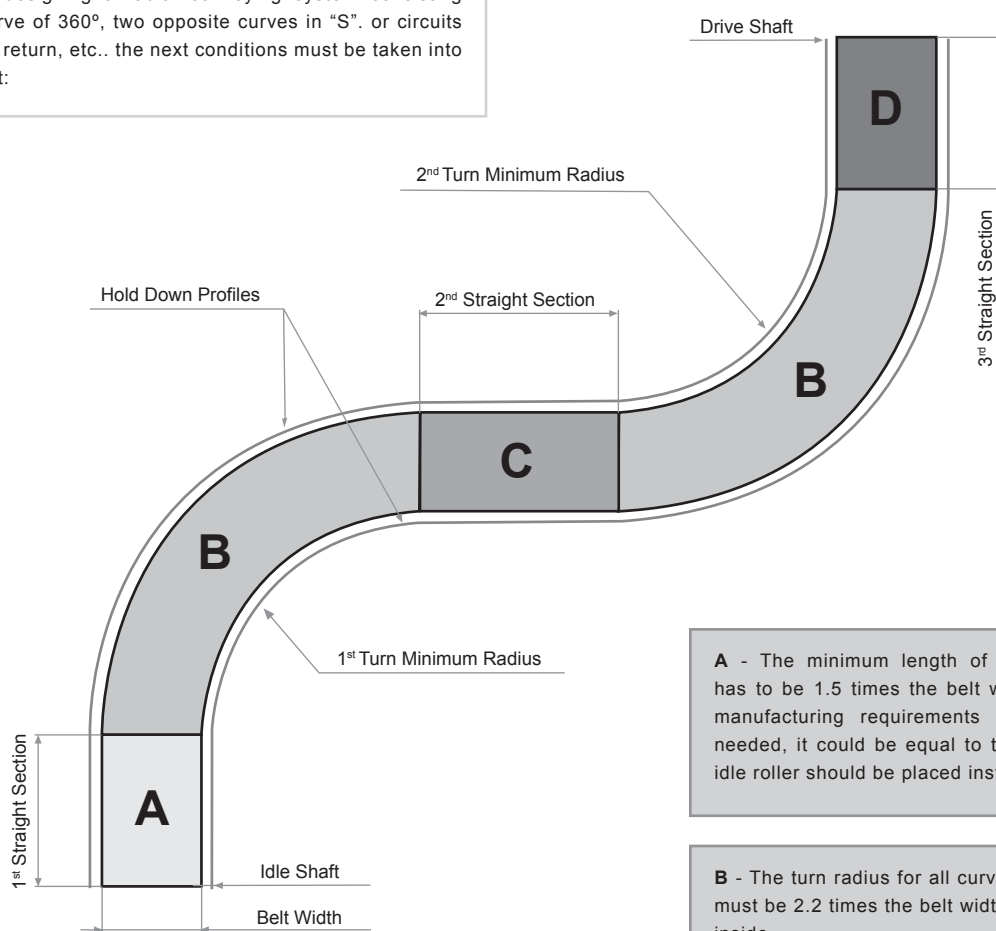
[R] This radius must be as big as allowed by the application in order to minimize the wear (min. 150 mm).

In the construction of conveyors, the distances appearing in the chart below must be respected according to the belt Series and the size of the sprockets.

N° of teeth T	Ø Pitch	A	B max.	C max.
11	106.5	44	50	115
16	153.5	69	65	160
20	191.5	87	75	200

CONSTRUCTION DATA [RADIAL APPLICATIONS]

Before designing a radial conveying system consisting of a curve of 360°, two opposite curves in "S", or circuits without return, etc., the next conditions must be taken into account:



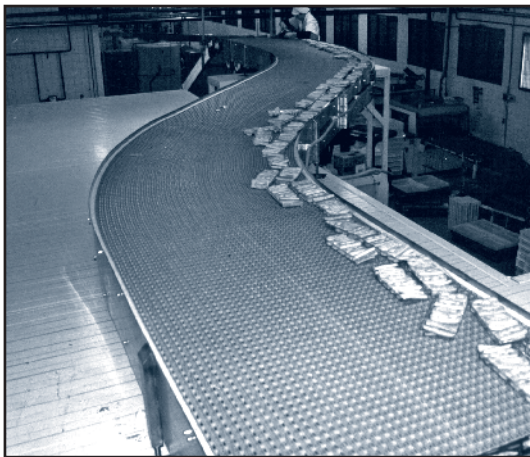
A - The minimum length of first straight section has to be 1.5 times the belt width. When owing to manufacturing requirements a smaller length is needed, it could be equal to the belt width, but an idle roller should be placed instead of the sprockets.

B - The turn radius for all curves made in Series 93 must be 2.2 times the belt width, measured from the inside.

C - When two consecutive turns are made in opposite directions, the straight section between both of them must be 2 times the belt width in order to avoid wears in lateral fastenings, as well as high tensions in the belt. If two turns are made in the same direction, a minimum straight distance between them will not be required.

D - The minimum length of the last straight section, near the drive shaft, should be at least 1.5 times the belt width, in order to avoid unnecessary wear in sprockets and problems of alignment.

The total belt length will always be calculated from the outside perimeter of the curve sections.



CONSTRUCTION DATA [SPIRAL]



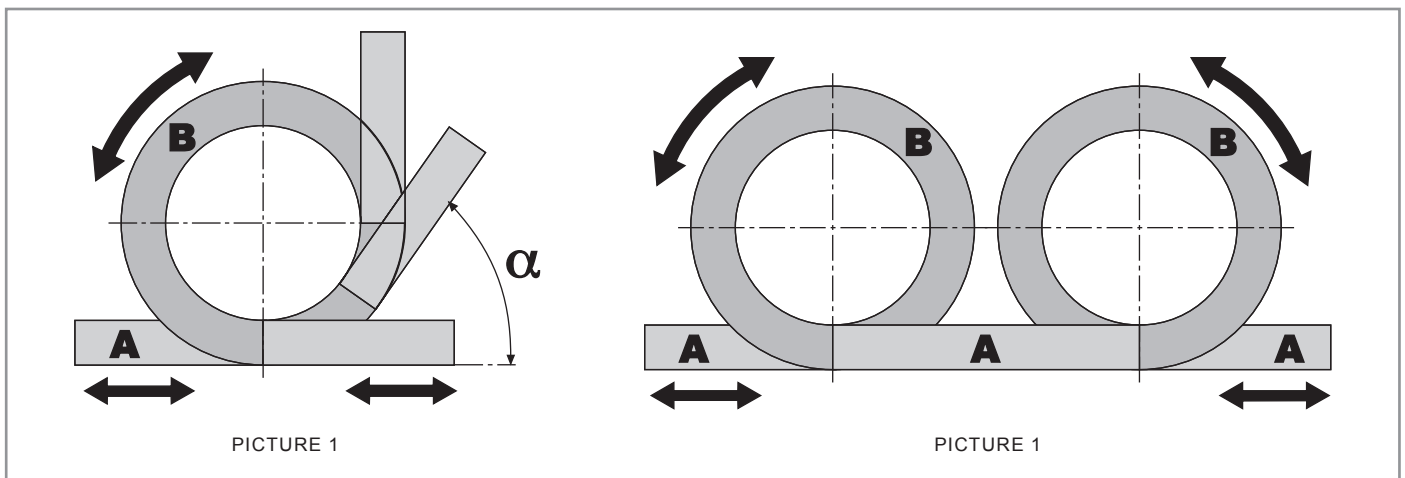
SERIES E93 can also be used for applications in spiral conveying systems. Its design of flat and rounded edges reduces considerably frictions between the inner curved radius and the drum, getting a smooth power transference from the central drum to the belt, having as a result a saving in energy costs.

Thanks to its design and its technical characteristics, EUROBELT SERIES E93 can be used to make any kind of configuration, giving the appropriate solution to many of your conveying problems.

Some of its main applications are:

- Repose and fermentation belts for bakery.
- Elevating and descending conveyors with minimum inclination.
- Cooling and/or freezing belts, as due to the 47% open area you can obtain a great energy transference.
- Special vertical accumulation tables, with a big capacity of storage in a reduced space, thanks to the spiral configuration and to the materials used by EUROBELT.

In the pictures below, we can see different possible configurations: one only bidirectional spiral (elevating, descending or bidirectional, picture 1). and two spirals (one of them elevating and the other one descending, or bidirectionals, picture 2):



A - Like in the radial applications, the minimum length of the infeed section as well as that of the outfeed one, must be 1.5 times the belt width.

B - The minimum turn radius must be 2.2 times the belt width. Hold-down profiles should be placed all along the spiral in order to make the fastening of the belt.

TABLE OF SPROCKETS AND WEARSTRIPS

Belt nominal width (mm)		Minimum quantity of sprockets per shaft	Minimum quantity of wearstrips	
			Transport way	Return way
100	150	1	2	2
175	300	3	2	2
325	500	5	3	3
525	700	7	4	3
725	900	9	5	4
925	1,100	11	6	4
1,125	1,300	13	6	5
1,325	1,500	15	7	6
1,525	1,700	17	8	6
1,725	1,900	19	9	7
1,925	2,100	21	10	8
2,125	2,300	23	11	8
2,325	2,500	25	11	9
2,525	2,700	27	12	10

To calculate the necessary minimum quantity of sprockets for the drive shaft as well as for the idle one, the next formula has been used:

$$\text{Minimum quantity} = \frac{\text{Belt width (mm)}}{100 \text{ mm}}$$

This amount must always be odd.

To calculate the quantity of supports, the weight of the product to be transported must be taken into account.

The distance between supports should not exceed 230 mm in the transport way or 300 mm in the return way.



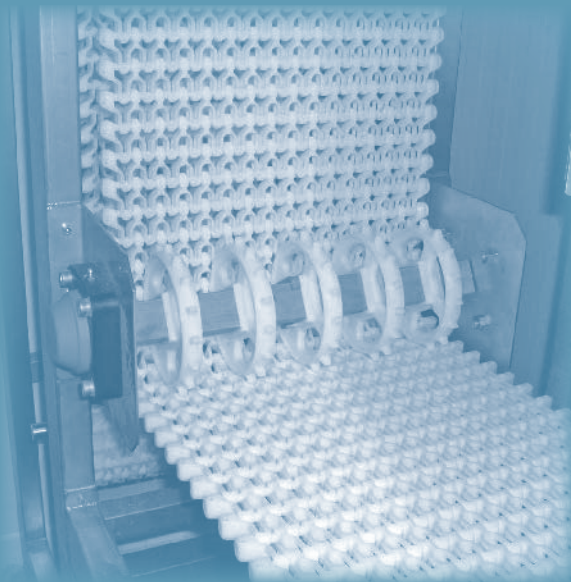
MATERIALS

ACCESSORIES

TECHNICAL DATA

CHEMICAL RESISTANCE

MAINTENANCE





MATERIALS

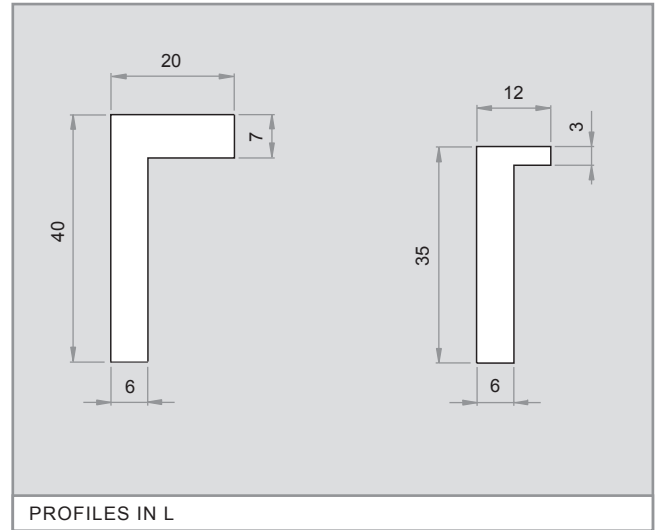
ACCESSORIES

TECHNICAL DATA

CHEMICAL RESISTANCE

MAINTENANCE

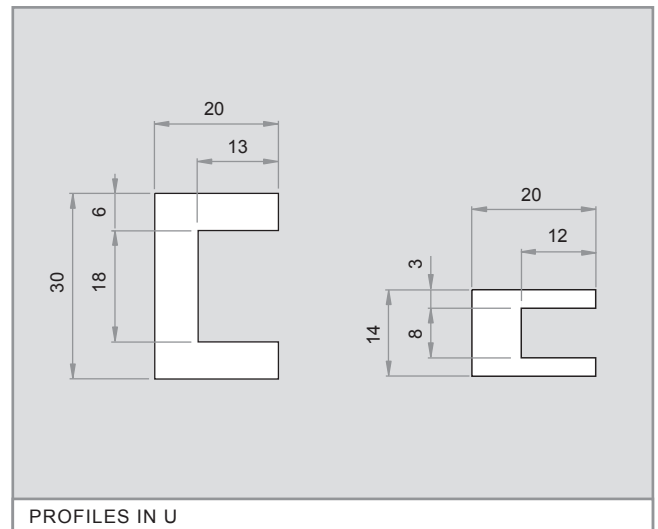
ACCESSORIES [HOLD-DOWN PROFILES]



To make the fastening and the support of the belt, EUROBELT has designed two types of hold-down profiles with different geometries, but with the same uses and services.

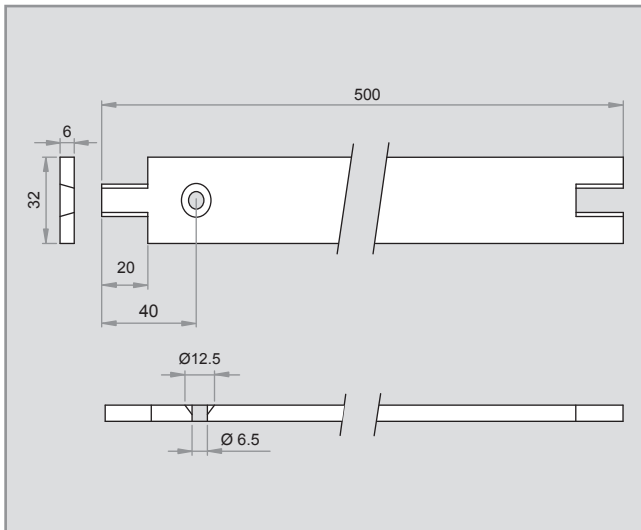
These profiles, with a low coefficient of friction, are placed between the belt and the structure of the conveyor, reducing the wear of the surfaces in contact, which contributes to prolong the life of the belt.

EUROBELT offers all the hold-down profiles in special polyethylenes with very good sliding properties and an excellent resistance to impact.



Accessories	Dimensions	Matériaux
Profiles in L	40 x 20 x 2.000	Polyethylene
	35 x 12 x 2.000	
Profiles in U	20 x 30 x 2.000	
	20 x 14 x 2.000	

ACCESSORIES [WEARSTRIPS]



The flat wearstrips are fastened by means of flatheaded plastic screws, which contributes to obtain a smooth surface free of any possibility of hooking.

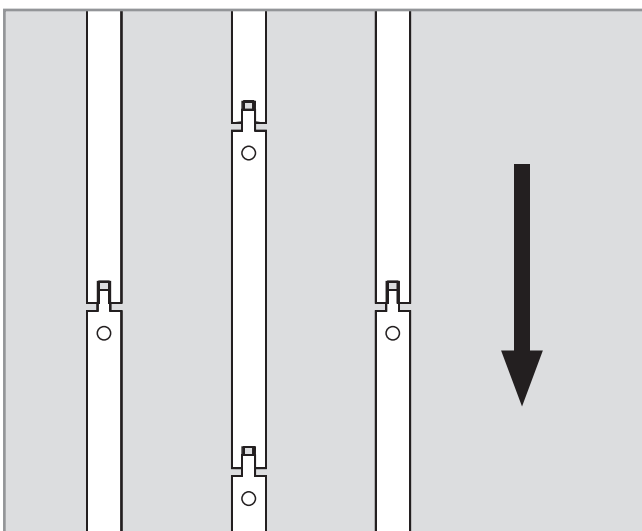
The dimensions of those screws are: M 6 x 25 mm.

Due to their dovetail design, they can adapt to possible longitudinal contractions and expansions of the belt.

Dimensions	Materials
6 x 32 x 500	Polyethylene Conductive polyethylene Polyacetal

The wearstrips arrangement is an important factor in the life span of a conveyor belt. It should be chosen the most suitable configuration according to the transport needs. To calculate the quantity of supports, the weight of the product to be conveyed should be taken into account.

PARALLEL RUNNERS



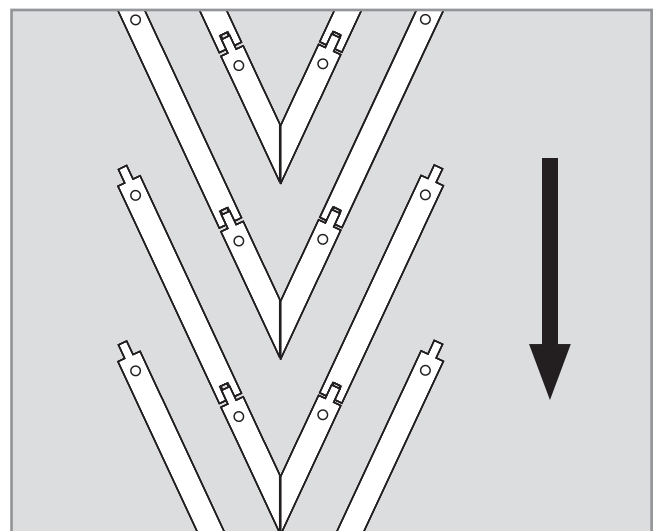
It consists of placing the wearstrips in a parallel and continuous way along the conveyor structure.

It is preferable to position them so that the joints do not coincide.

This is probably the simplest and most economical configuration although, depending on the load to be transported, uneven wears can arise on the back surface of the belt.

It is not advisable for applications with a very heavy load.

CHEVRON ARRAY



The wearstrips are placed throughout the length and breadth of the conveyor, as shown in the picture above.

The possible wear that might occur will be even all over the belt, since it is resting on the wearstrips lengthwise and breadthwise.

With this angle-shaped layout the cleaning and the removal of wastes are easy.

It is advisable for applications bearing heavy loads or for high speeds.

MATERIALS [POLYPROPYLENE]

STANDARD POLYPROPYLENE (PP)

Temperature range	+1 °C to +104 °C
Available colours	White Grey Blue
Fit for food industry	Suitable

It is the basic material in order to manufacture conveyor belts for most of processes, both in food industry and in industry generally speaking.

With a good mechanic resistance, and a temperature range from +1 °C to +104 °C, it has a specific gravity of approximately 0.9, and it floats in the water.

Given its excellent chemical resistance to most of the acids and concentrated bases, salts, and detergents, it is essential for corrosive work environments.

It is very resistant to penetration of micro organisms.

Though it has a resistance to impact close to 3.5 kJ/m², it becomes slightly fragile at temperatures below 9 °C. That is why it is not recommended for processes in which there will be strong impacts on the belt.

It observes the International Regulations to be used in food processes.



ELECTRICALLY CONDUCTIVE POLYPROPYLENE (PPE)

Temperature range	+1 °C to +104 °C
Available colours	Black
Fit for food industry	Unsuitable

Polypropylene with a very low resistivity rate, both volumetric and superficial, being ideal for those applications in which it is necessary to dispel the electrostatic charges, created on the belt, through the conveyor's structure.

Specially indicated for conveyance applications in environments classified as ATEX.

Unsuitable for direct contact with food.

Ask for availability and delivery time according to belt types and series.



MATERIALS [POLYETHYLENE]

STANDARD POLYETHYLENE (PE)

Temperature range	-50 °C to +65 °C
Available colours	Natural Blue
Fit for food industry	Suitable

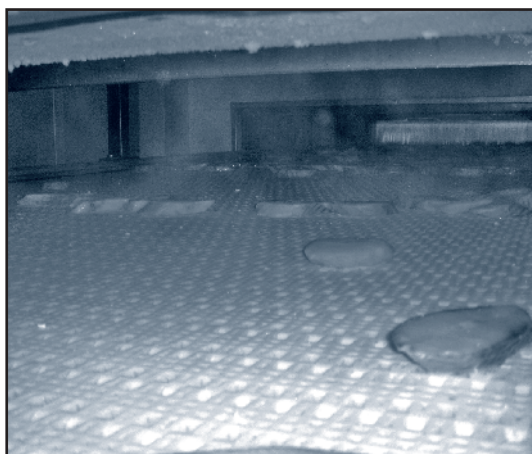
Thanks to a temperature range from -50 °C to +65 °C, it is the most suitable material for belts to be used in freezing processes.

With a specific gravity of 0.95 approximately, it floats in the water. It stands out for its excellent resistance to impact and fatigue, and for its flexibility.

Good chemical resistance to many acids and concentrated bases, salts, and detergents.

Its low coefficient of friction provides excellent sliding properties, with a minimum of adherence and absorption.

It observes the International Regulations to be used in food processes.



ELECTRICALLY CONDUCTIVE POLYETHYLENE (PEE)

Temperature range	-50 °C to +65 °C
Available colours	Black
Fit for food industry	Unsuitable

Polyethylene with a very low coefficient of resistivity, both volumetric and superficial, which makes it ideal for those applications in which it is necessary to dispel the electrostatic charges, created on the belt, through the conveyor's structure.

Special for conveyance applications at low temperatures in environments classified as ATEX.

Unsuitable for direct contact with food.

Ask for availability and delivery time according to belt types and series.

UV-RAYS POLYETHYLENE

We have a black polyethylene resistant to UV rays for conveyor belts to be used in applications that will be out in the open, at low temperatures, and exposed to solar radiation.

Black colour.

Ask for availability and delivery time according to belt types and series.

MATERIALS [POLYACETAL]

STANDARD POLYACETAL (AC)

Temperature range	-40 °C to +90 °C
Available colours	White Grey Blue
Fit for food industry	Suitable

With a specific gravity of 1.5 approximately, the technical polyacetals are thermoplastics of low friction coefficient with the greatest resistance to scratching and breakage. That is why it is the material used in accumulation tables for all kind of containers, as it avoids any damage on the product surface, as well as crushing.

Its great mechanical resistance enables it to transport heavy loads.

With a wide temperature range from -40 °C to +90 °C, it is used for manufacturing belts that will convey heavy loads and in applications involving the use of sharp tools.

It has a good chemical resistance to solvents, greases, and a large list of chemicals.

It observes the International Regulations to be used in food processes.



ELECTRICALLY CONDUCTIVE POLYACETAL (ACE)

Temperature range	-40 °C to +90 °C
Available colours	Black
Fit for food industry	Unsuitable

Polyacetal with a very low resistivity rate, both volumetric and superficial, being ideal for those applications in which it is necessary to dispel the electrostatic charges, created on the belt, through the conveyor's structure.

Unsuitable for direct contact with food.

Ask for availability and delivery time according to belt types and series.

POLYACETAL DETECTABLE BY METAL DETECTORS (ACD)

Temperature range	-40 °C to +80 °C
Available colours	Blue
Fit for food industry	Suitable

This material has the capability of altering the electromagnetic fields of the metal detectors. It is used in belts for lines in which avoiding any plastic particle to get mixed with the product is required.

Suitable for direct contact with food.

Ask for availability and delivery time according to belt types and series.

MATERIALS

NYLON (PA)

Belts manufactured in nylon have a good geometrical stability with regard to heat, as well as both a great hardness and rigidity.

They are also characterized by their retarded wear in abrasive and dry environments.

Having a high hygroscopic level, this material is not recommended to be used in humid environments, as the belt dimensions would vary visibly.

We have two types:

Nylon in black colour: Unsuitable for direct contact with food.

Stable with regard to heat at temperatures up to 140 °C if working continuously, and up to 180 °C in specific peaks. In case of extreme temperatures, the decrease of its mechanical properties must be taken into account.

Its rate of inflammability is HB (UL94 @ 1.6 mm)

Nylon in natural colour: Suitable for direct contact with food, except for those containing alcohol.

Stable with regard to heat at temperatures up to 120 °C if working continuously, and up to 135 °C in specific peaks.

Likewise, in case of extreme temperatures, the decrease of its mechanical properties must be taken into account.

Its rate of inflammability is V-2 (UL94 @ 1.6 mm).

Ask for availability and delivery time according to belt types and series.

THERMOPLASTIC ELASTOMERS (TPE)

It is a thermoplastic vulcanized, flexible and with a very good adherence. It is used for obtaining the maximum grip of the product to the transport surface in order to prevent it from sliding in incline conveyors.

Good resistance to fatigue, oil, and chemicals in general.

The temperature range runs from -40 to 100 °C.

When designing an application with belts manufactured in this material, we should take into account:

- The environmental conditions regarding the work area (temperature, humidity, possible spilling of liquids, etc.).
- The geometrical peculiarities of the application (inclination degrees, speed, possible vibrations, etc.).
- The characteristics of the product (weight, dimensions, material of its packing, etc.).
- The belt return way will be designed avoiding always the friction of the rubber on the support surfaces, on the inverse turn rollers, etc.

We have three hardness grades:

Shore A35, in grey colour, suitable for direct contact with food.

Shore A45, in black colour, unsuitable for direct contact with food.

Shore A60, in beige colour, suitable for direct contact with food.

Ask for availability and delivery time according to belt types and series.

MATERIALS

**MATERIAL DETECTABLE BY X-RAYS
DETECTORS (ACX)**

Temperature range	-40 °C to +80 °C
Available colours	White
Fit for food industry	Suitable

Material that can be detected by the X-rays. Spherical particles with a diameter of hardly 2.5 mm have been detected in tests carried out in a production line by a Dylog X-rays detector.

Exceptional for processes in which the removal of any polluting particle is essential or in which a high security control is required.

In white colour, its work temperature range runs from -40 to +80 °C.

Suitable for direct contact with food.

Ask for availability and delivery time according to belt types and series.



WEAR-RETARDANT MATERIAL

Special material to prolong the average life of the belts, as their wear gets reduced when working in abrasive environments.

It is used in all those applications in which the belt is exposed to scratches due to the abrasion caused by the product itself or by other elements like sand, abrasive dust, etc.. conveyed together with it.

Unsuitable for direct contact with food.

Ask for availability and delivery time according to belt types and series.

FLAME-RETARDANT

With good mechanical properties and chemical resistance, it is retardant to the flames with an inflammability rate of V-0 (Test method UL94).

As it is lubricated, it has both a very low absorption rate and friction coefficient.

This material is not suitable for direct contact with food, and its work temperature range runs from -20 to +60 °C.

Ask for availability and delivery time according to belt types and series.

HIGH TEMPERATURE MATERIAL

This material is one of the most important polymers due to its excellent properties.

- Continuous working temperature up to 200 °C.
- High fatigue resistance, both mechanical and chemical.
- Flame retardant, V-0 inflammability ratio.
- Low water absorption, near zero (0.02%)
- Suitable for direct contact with food.

Ask for availability and delivery time according to belt types and series

TABLE OF MATERIALS AND COLOURS IN STOCK

TYPE		PP			PE		AC			PPE
		W	G	B	N	B	W	B	N	O
SERIES C12										
FT	FLAT TOP	•	•	•	•	•		•	•	
FG	FLUSH GRID	•	•	•	•	•		•	•	
SERIES E20										
FT	FLAT TOP	•	•	•	•	•		•		
FG	FLUSH GRID	•	•	•	•	•		•		
RR	RAISED RIB		•					•		
TF	TRIAN FRICTION	On Request [page 184]								
TR	TRIAN	•			•			•		
SR	SLIDING ROLLER	On Request [page 184]								
SERIES A24										
FT	FLAT TOP	•	•	•	•	•		•	•	
FG	FLUSH GRID	•	•	•	•	•		•	•	
RR	RAISED RIB		•					•		
SERIES E30										
FT	FLAT TOP	•	•	•	•			•		
PF	PERFORATED	•	•		•			•		
OG	OPEN GRID	•			•			•		
FG	FLUSH GRID	•	•		•	•		•		
RR	RAISED RIB		•					•		
TF	TRIAN FRICTION	On Request [page 184]								
FF	FLAT FRICTION									
SR	SLIDING ROLLERS									
SERIES E31										
LT	LATERAL TRANSFER							•		
SERIES E32										
FT	FLAT TOP - 82,5 MM							•		
FT	FLAT TOP - 114,3 MM							•		
FT	FLAT TOP - 152,4 MM							•		
FT	FLAT TOP - 190,5 MM							•		

Materials: [PP] Polypropylene - [PE] Polyethylene - [AC] Polyacetal - [PPE] Electrically Conductive Polypropylene

Colours: [W] White - [G] Grey - [B] Blue - [N] Natural - [O] Black

The materials and colours that are normally in stock are those above indicated. In special cases in which it is needed a belt in a material or colour different from those above mentioned, you should ask directly to EUROBELT.

TABLE OF MATERIALS AND COLOURS IN STOCK

TYPE		PP			PE		AC			PPE
		W	G	B	N	B	W	B	N	O
SERIE E40										
FT	FLAT TOP	•	•		•			•		
FG	FLUSH GRID	•	•		•			•		
NS	NON SLIP									•
SR	SLIDING ROLLERS	On Request [page 184]								
SERIE E41										
RR	RAISED RIB		•							
SERIE E50										
FT	FLAT TOP	•	•		•	•				
PF	PERFORATED	•	•		•					
FG	FLUSH GRID	•	•		•	•				
OG	OPEN GRID	•	•		•	•				
KN	KNURLED	•	•					•		
CO	CONIC	•	•		•			•		
TF	TRIAN FRICTION	On Request [page 184]								
CF	CONIC FRICTION									
SR	SLIDING ROLLERS									
SERIE B50										
FT	FLAT TOP	•		•	•	•	•			
PF	PERFORATED	•		•	•	•	•			
SERIE E80										
FT	FLAT TOP	•	•	•	•			•	•	
PF	PERFORATED	•	•		•			•	•	
SERIE E93										
SL	FLUSH GRID - Without Edge Tab	•	•		•			•	•	
CL	FLUSH GRID - With Edge Tab	•	•		•			•	•	
CO	CONIC	•	•		•			•	•	
CF	CONIC FRICTION	On Request [page 184]								
SR	SLIDING ROLLERS									

Materials: [PP] Polypropylene - [PE] Polyethylene - [AC] Polyacetal - [PPE] Electrically Conductive Polypropylene

Colours: [W] White - [G] Grey - [B] Blue - [N] Natural - [O] Black

The materials and colours that are normally in stock are those above indicated. In special cases in which it is needed a belt in a material or colour different from those above mentioned, you should ask directly to EUROBELT.

MATERIALS AND COLOURS - FRICTION TOP BELTS

TYPE		RUBBER		PP			PE	
		HARDNESS	COLOURS	W	G	B	N	B
SERIES E20								
TF	TRIANGULAR FRICTION	A60	BEIGE	•	•		•	
SERIES E30								
TF	TRIANGULAR FRICTION	A35	GREY	•			Ask for availability	
		A45	BLACK		•			
		A60	BEIGE	•				
FF	FLAT FRICTION	A35	GREY	•				
		A45	BLACK		•			
		A60	BEIGE	•				
SERIES E50								
TF	TRIANGULAR FRICTION	A60	BEIGE	•	•		•	•
CF	CONIC FRICTION			•	•		•	•
SERIES E93								
CF	CONIC FRICTION - Without Edge Tab	A60	BEIGE	•	•		•	
	CONIC FRICTION - With Edge Tab			•	•		•	

Materials:
 [PP] Polypropylene
 [PE] Polyethylene

Colours:
 [W] White
 [G] Grey
 [B] Blue
 [N] Natural

The materials and colours that are normally in stock are those above indicated. In special cases in which it is needed a belt in a material or colour different from those above mentioned, you should ask directly to EUROBELT.

MATERIALS AND COLOURS - SLIDING ROLLERS BELTS

TYPE		DIAMETER ROLLER	PP			PE		AC		
			W	G	B	N	B	W	B	N
SERIES E20										
FG	FLUSH GRID	Ø 15 MM	•	•	•	•	•		•	
SERIES E30										
FG	FLUSH GRID	Ø 15 MM	•	•	•	•			•	
SERIES E40										
FG	FLUSH GRID	Ø 25 MM	•	•		•			•	
SERIES E50										
FG	FLUSH GRID	Ø 25 MM	•	•		•	•			
OG	OPEN GRID		•	•		•	•			
SERIES E93										
FG	FLUSH GRID - Without Edge Tab	Ø 20 MM	•	•		•			•	•
	FLUSH GRID - With Edge Tab		•	•		•			•	•

Materials:
 [PP] Polypropylene
 [PE] Polyethylene
 [AC] Polyacetal

Colours:
 [W] White
 [G] Grey
 [B] Blue
 [N] Natural

The materials and colours that are normally in stock are those above indicated. In special cases in which it is needed a belt in a material or colour different from those above mentioned, you should ask directly to EUROBELT.

EFFECTS CAUSED BY THE TEMPERATURE

DIMENSIONAL VARIATIONS IN THE BELT

The plastic materials undergo dimensional variations, expansions or contractions, when they are exposed to temperature changes with regard to a room temperature of 21° C.

These dimensional variations must be taken into consideration when designing and building the conveyor for its proper functioning.

Therefore the conveyor will have to be designed so that it allows to absorb the longitudinal variations in the return way and the width variations in the frame sides.

In order to calculate the expansions or contractions both of the belt and the wearstrips, the formulae below will be applied:

VARIATION IN THE BELT LENGTH:

$$\Delta = L.\text{Initial} \times (T.\text{Final} - T.\text{Initial}) \times \alpha$$

VARIATION IN THE BELT WIDTH:

$$\Delta = A.\text{Initial} \times (T.\text{Final} - T.\text{Initial}) \times \alpha$$

- Δ (mm) : Dimensional variation in the belt length.
- A positive value shows an expansion.
- A negative value shows a contraction.
- L.Initial (mtr.): Belt length at the initial temperature.
- T.Final (°C): Final temperature of the application.
- T.Initial (°C): Initial temperature of the application.
- α (mm/mtr/°C): Thermic expansion coefficient.

- Δ (mm): Dimensional variation in the belt width.
- A positive value shows an expansion.
- A negative value shows a contraction.
- A.Initial (mtr.): Belt width at the initial temperature.
- T.Final (°C): Final temperature of the application.
- T.Initial (°C): Initial temperature of the application.
- α (mm/mtr/°C): Thermic expansion coefficient.

THERMIC EXPANSION COEFFICIENTS

Belts	(mm./m./°C)	(inch/foot/°F)
Polypropylene (below 38° C)	0,12	0,0008
Polypropylene (above 38° C)	0,15	0,0010
Polyethylene	0,17	0,0011
Acetal	0,09	0,0006
Wearstrips	(mm./m./°C)	(inch/foot/°F)
HDPE	0,17	0,0011

Example:

Product transport application under the conditions below:

- Belt material: polypropylene (... according to the table).
- Length: 20 m. (L.Initial).
- Width: 1 m. at 21° C (A.Initial and T.Initial).
- Final working temperature: 80° C (T.Final).

Applying the above formulae we will obtain:

Length Δ : $20 \times (80-21) \times 0,15 = 177$ mm.

Width Δ : $1 \times (80-21) \times 0,15 = 8,85$ mm.

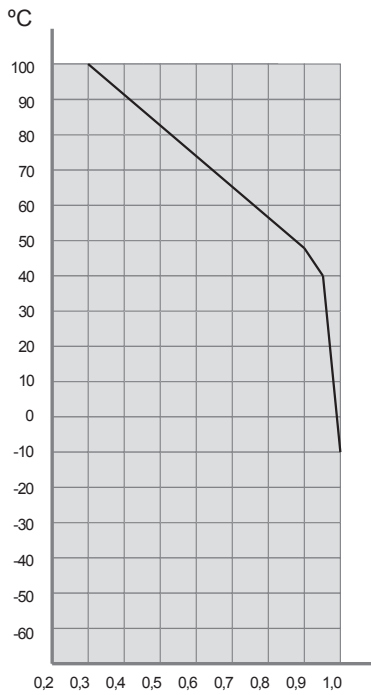
Therefore, whenever we carry out the conveyor design it will have to be taken into consideration that 177 mm must be absorbed by their catenaries in the return way, otherwise by its take up, and 8.85 mm by the conveyor sides for its proper functioning.

VARIATIONS IN THE MECHANICAL PROPERTIES OF THE BELT

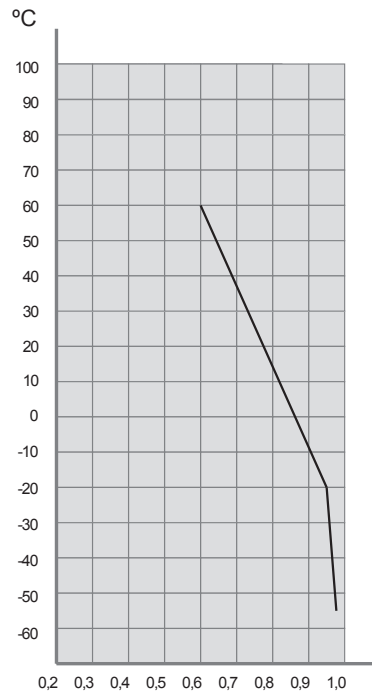
All plastic materials undergo changes in their properties when they are subject to temperature variations.

These variations determine a Temperature Factor (CT) that has an influence on the belt resistance and that must be taken into consideration when making the feasibility calculations of the application and when choosing the most appropriate belt and material.

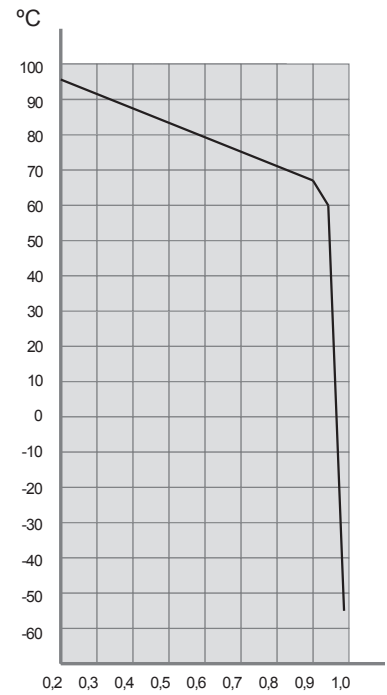
POLYPROPYLENE



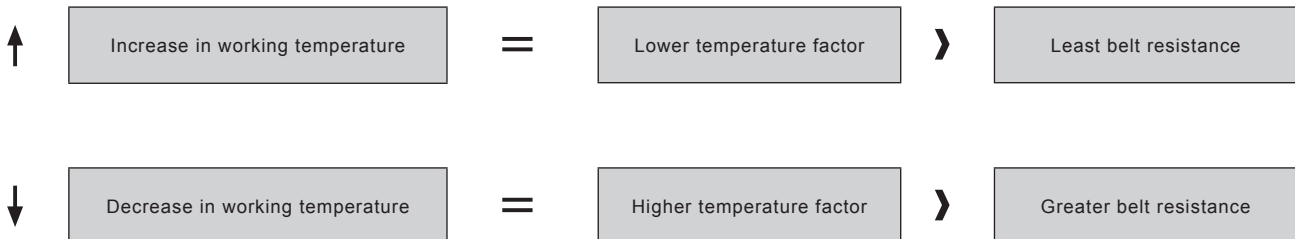
POLYETHYLENE



POLYACETAL



It can be observed in the above graphics that:



Likewise it will have to be taken into consideration that the lower the temperature is, the more brittle the belt surface is, which is important in applications with impacts.

EFFECTS CAUSED BY THE FRICTION

FRICTION BETWEEN THE BELT AND THE SUPPORT SURFACES

The belt movement entails a negative strength caused by the friction between the support surfaces of the belt and the belt itself due to the belt weight and that of the product conveyed.

This friction determines a Friction Factor (CF) that we will have to take into consideration when making the feasibility calculations of the application and belt choice.

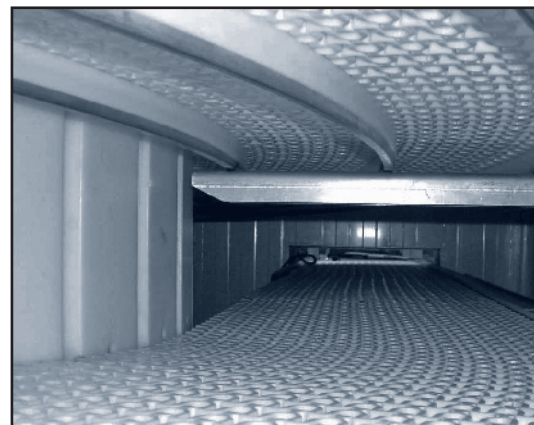
Small values of this factor will imply softer belt movements, less wear, lower motor power, and a longer useful life of the belt.

The most common values for this Friction Factor are:

FRICTION FACTOR (CF) BETWEEN THE BELT AND THE SUPPORT SURFACE

SUPPORT SURFACE MATERIALS	POLIPROPILENO				POLIETILENO				ACETAL			
	SUPERFICIE LISA		SUPERFICIE ABRASIVA		SUPERFICIE LISA		SUPERFICIE ABRASIVA		SUPERFICIE LISA		SUPERFICIE ABRASIVA	
	HÚMEDO	SECO	HÚMEDO	SECO	HÚMEDO	SECO	HÚMEDO	SECO	HÚMEDO	SECO	HÚMEDO	SECO
U.H.M.W.	0,11	0,13	NR	NR	0,24	0,32	NR	NR	0,10	0,10	NR	NR
H.D.P.E.	0,09	0,11	NR	NR	NR	NR	NR	NR	0,09	0,08	NR	NR
Nylon impregnado con molibdeno o silicona	0,24	0,25	0,29	0,30	0,14	0,13	NR	NR	0,13	0,15	NR	NR
Acero inoxidable o al carbono con acabado laminado en frío	0,26	0,26	0,31	0,31	0,14	0,15	NR	NR	0,18	0,19	NR	NR

[NR] No recomendado



FRICION BETWEEN THE BELT AND THE TRANSPORTED PRODUCT

In some applications there can be other type of negative forces caused by the friction between the belt contact surface and that of the product which appears when the belt is running and the product stops on its surface. A characteristic example is that of the accumulation tables.

The Factor of Friction by Accumulation (C_{AC}) will have to be taken into account for calculating the feasibility of our application as well as for the belt choice.

As in the previous case, small figures of this Factor will imply softer belt movements, less belt wear and fewer damages on the product surface, a lower motor power, and a longer useful life of the belt.

The most common values of this Factor are:

FRICION FACTOR BETWEEN THE BELT AND THE PRODUCT (C_{AD})

MATERIAL OF TRANSPORTED PRODUCT	POLYPROPYLENE		POLYETHYLENE		ACETAL	
	HUMID	DRY	HUMID	DRY	HUMID	DRY
GLASS	0.18	0.19	0.08	0.09	0.13	0.14
STAINLESS STEEL	0.26	0.32	0.10	0.13	0.13	0.13
PLASTIC	0.11	0.17	0.08	0.08	0.13	0.16
CARDBOARD	—	0.21	—	0.15	—	0.18
ALUMINIUM	0.40	0.40	0.20	0.24	0.33	0.27

The above friction values are theoretical and can be altered according to other factors like high speed, heavy load, and working conditions, dirty or abrasive environments, etc.



TECHNICAL DATA

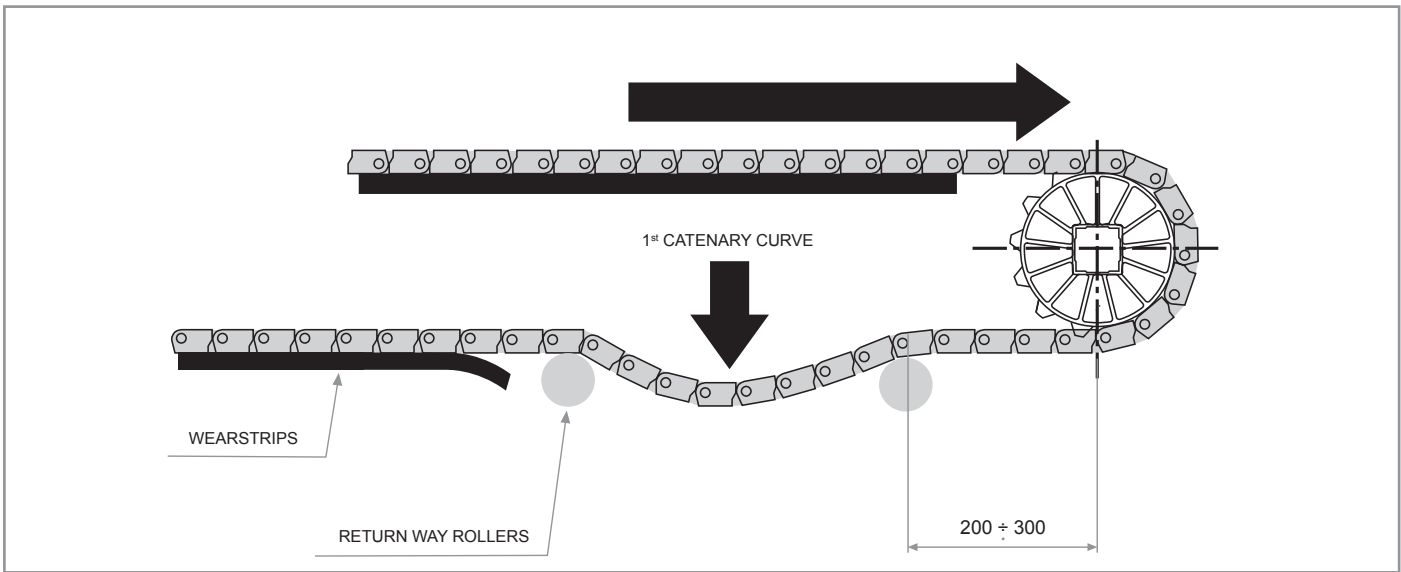
CATENARIES

Unlike other conventional conveyor belt systems, in which it is necessary to apply to the belt a high adherence tension with regard to the transmission drums, in the EUROBELT modular conveyor belt system, with direct and positive traction by means of sprockets, this tension must be the minimum necessary, so that the sprockets get correctly fitted to the belt to work properly.

To achieve this, it is necessary to leave the belt hanging down freely when coming out of the sprockets, once the first support roller has been surpassed, forming a

hanging called catenary curve. It will act as a natural take-up, absorbing the changes in length of the belt owing to expansions and contractions. It will apply a tension fixing the belt on the teeth of the sprockets.

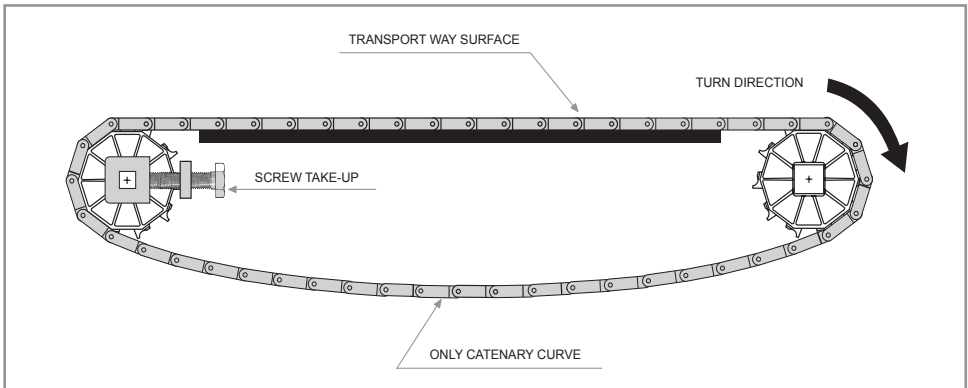
Then the belt can rest on return-way rollers, whose distance will be lesser than that of the first catenary, or on wearstrips.



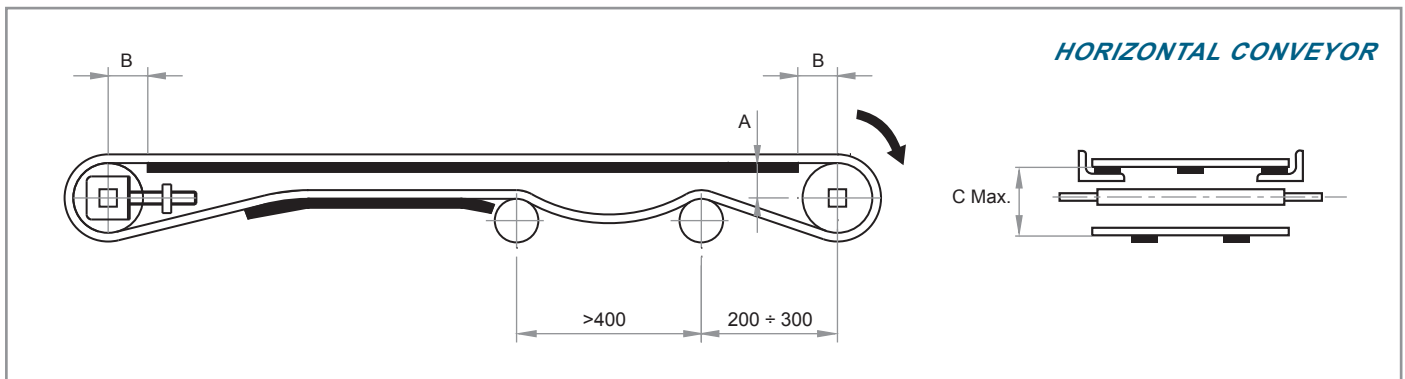
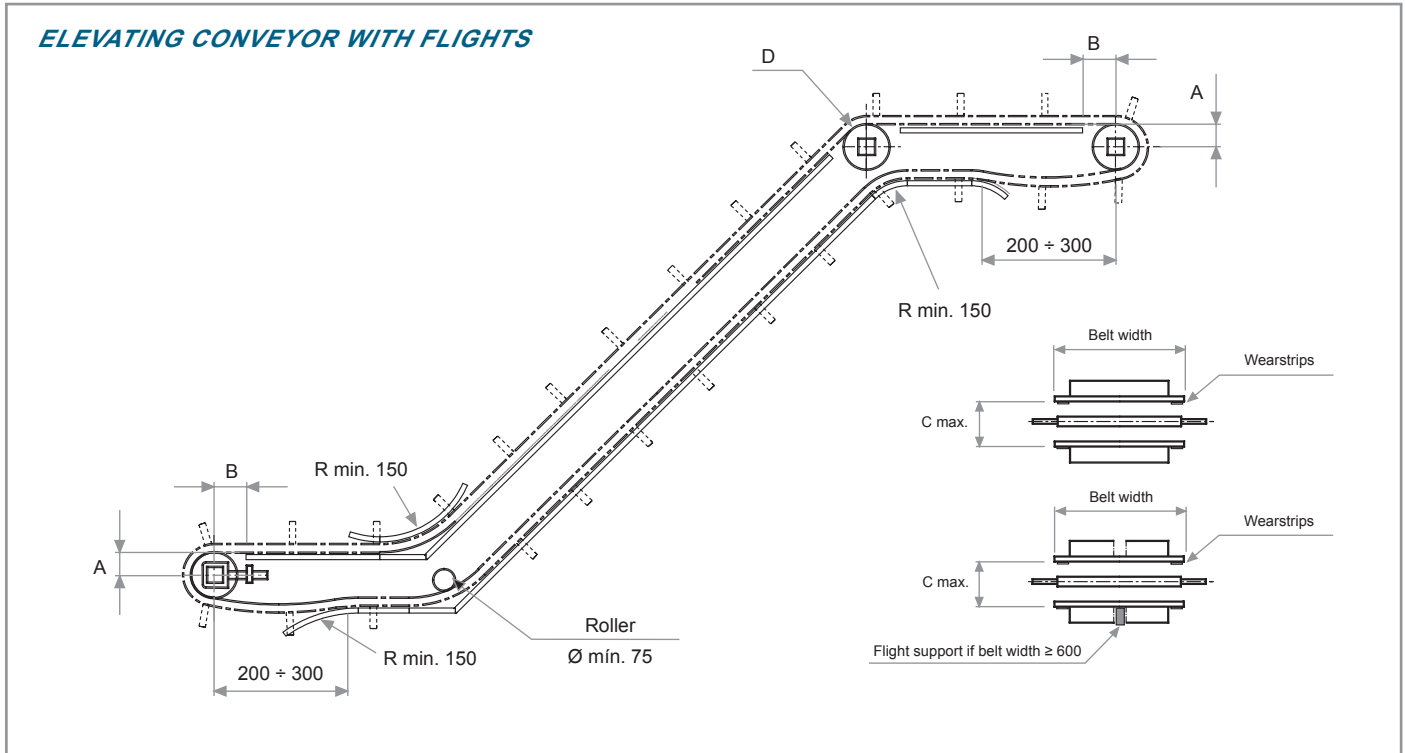
CONVEYOR UNDER 2 METRES

If the conveyor length is under 2 metres, there will be just one catenary that will hang down freely all along the return way.

In this case it will not be necessary to place any roller in the return way.



CONSTRUCTION DATA [CONVEYOR]



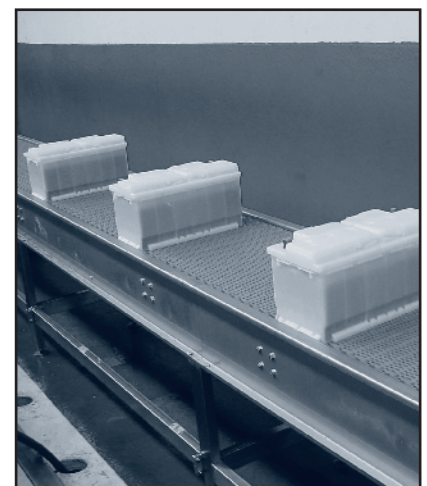
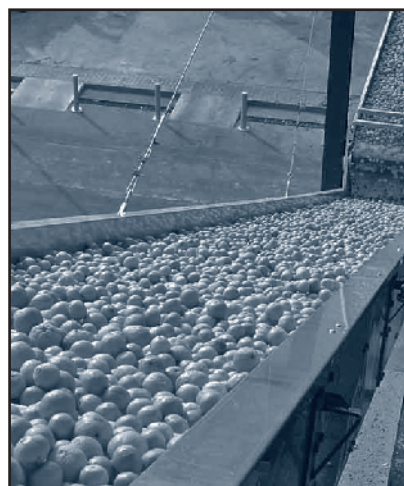
[A] Distance between the sliding surface of the belt and the centre of the shaft.

[B] Distance between the vertical of the shaft and the beginning of the sliding surface.

[C] Distance between the sliding surface of the belt and the support of the return way.

[D] If sprockets are used in the inflexion shaft, do not retain the central one.

[R] This radius must be as big as allowed by the application in order to minimize the wear (min. 150 mm). For belts with side guards, consult about this radius.



In the construction of conveyors, the distances appearing in the chart below must be respected according to the belt Series and the size of the sprockets.

N° of teeth T	Ø Pitch	A	B max.	C max.
SERIES C12				
11	42.59	16	22	41
20	76.7	34	35	77
26	99.55	45	40	99
31	118.61	55	45	119
40	152.94	72	52	153
SERIES E20				
8	52.2	20	28	65
16	102.5	46	50	110
24	153.5	72	65	155
SERIES A24				
7	55.31	22	25	55
13	100.25	46	40	100
20	153.41	72	50	155
25	191.48	91	60	195
SERIES E30 - E31 - E32				
6	60	25	30	65
9	87.7	37	40	92
11	106.5	48	50	110
16	153.5	73	65	155
20	191.5	91	75	195
SERIES E40 - E41				
8	104.5	43	45	105
10	129.4	56	55	130
13	167.1	75	70	165
16	205	94	80	205
20	255.7	120	90	255

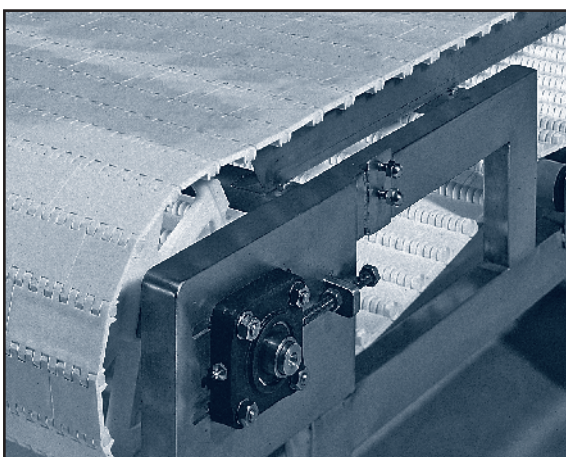
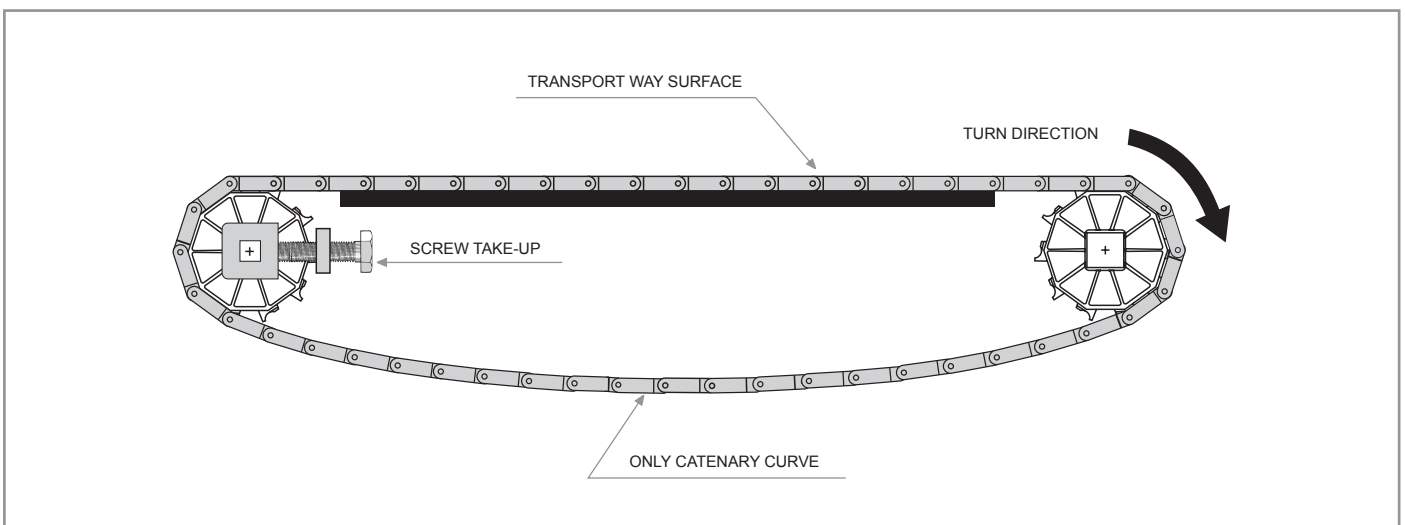
N° of teeth T	Ø Pitch	A	B max.	C max.
SERIES E50				
6	100	42	55	105
8	130.65	58	60	135
10	161.80	72	76	165
16	256.29	120	80	260
SERIES B50				
6	100	42	55	105
8	130.65	58	60	135
10	161.80	72	76	165
12	193.18	89	78	200
16	256.29	120	80	260
SERIES E80				
8	130.65	58	60	135
10	161.8	72	76	165
12	193.18	89	78	200
16	256.29	120	80	260
SERIES E93				
11	106.48	44	50	115
16	153.77	69	65	160
20	191.77	87	75	200

TAKEUPS

As shown in the previous chapter, catenary curves act as dynamic gravity takeups that in many cases can provide enough tension of adherence, so that the sprockets do not slide beneath the belt and can pull it properly.

In many cases, these curves do not provide that tension, being necessary the placement of other type of takeups.

SCREW TAKE-UP



This kind of takeups consists of a shaft displacement system, normally the idle shaft, that modifies the real belt length and adapt it to the possible changes occurred because of expansions-contractions, losses of tension, etc.

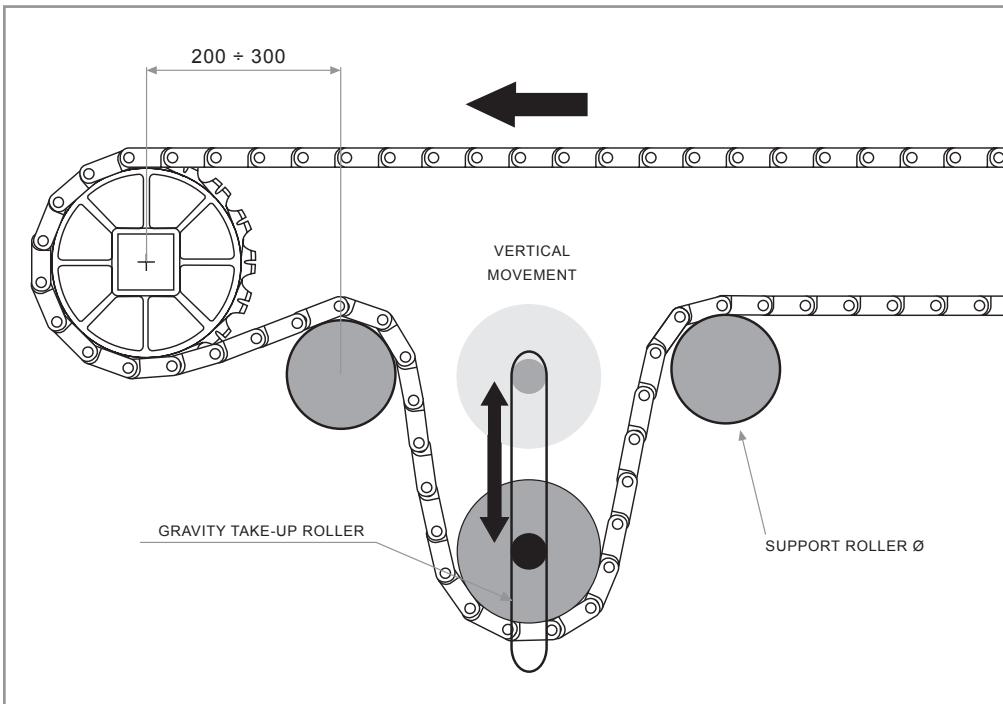
To carry out this displacement, the bearing journals are put on some slots in the structure of the conveyor, making the fastening by means of regulating screws.

When acting on them, the desired displacement is carried out.

Usually these takeups are valid to position the catenary curve, and not as a system to control the changes in the belt length. This type of take-up is suitable to make easy the assembly and dismantling of the belt, as well as to control and regulate the sag of the catenaries.

These screw takeups usually will be accompanied usually by other type of complementary take-up, depending on the characteristics of the application.

GRAVITY TAKE-UP BY SLIDE



These are takeups consisting of a roller with a determined weight that leans on the return way of the belt, supplying enough tension to the sprockets, so that they can perform a proper traction.

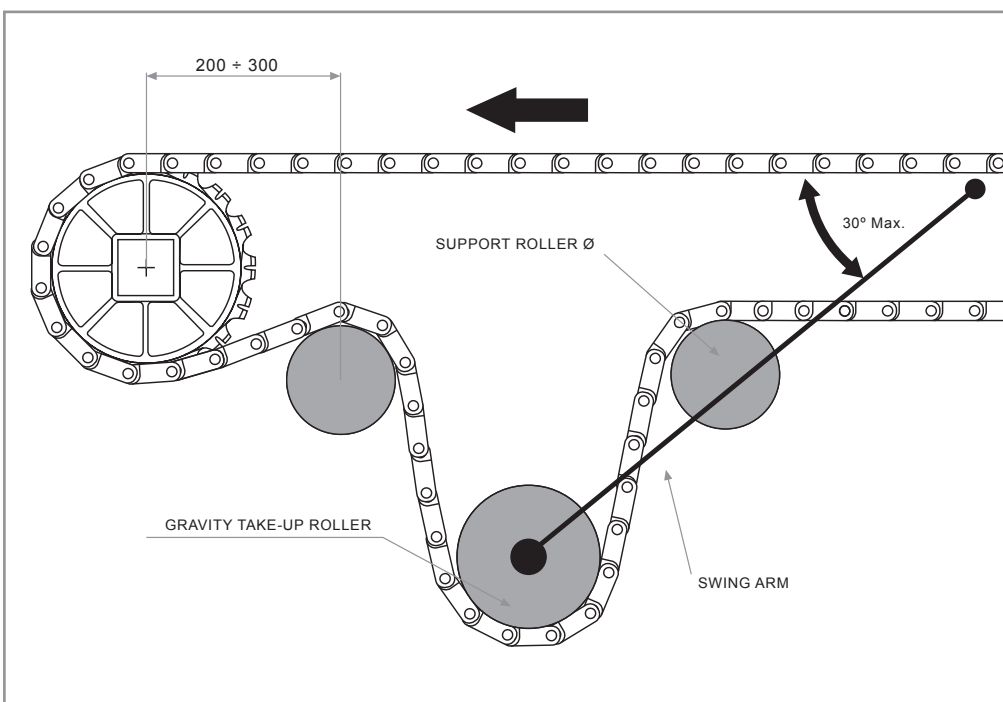
SERIES
C12 / E20 / A24 / E30

Diameter (mm)	Weight (kg per m. of belt width)
Ø 100	20 kg

SERIES
E40 / E41 / E50 / B50 / E80 / E93

Diameter (mm)	Weight (kg per m. of belt width)
Ø 150	40 kg

GRAVITY TAKE-UP BY SWING ARM

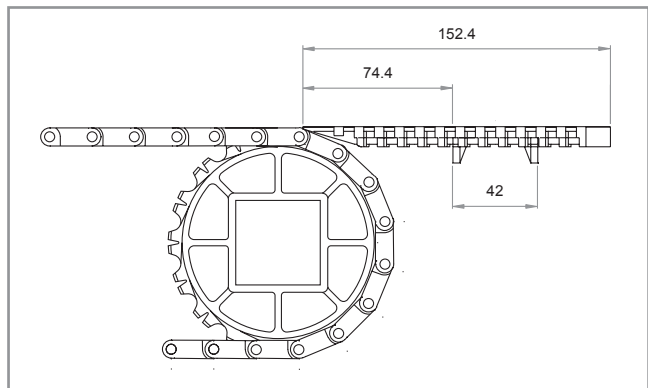
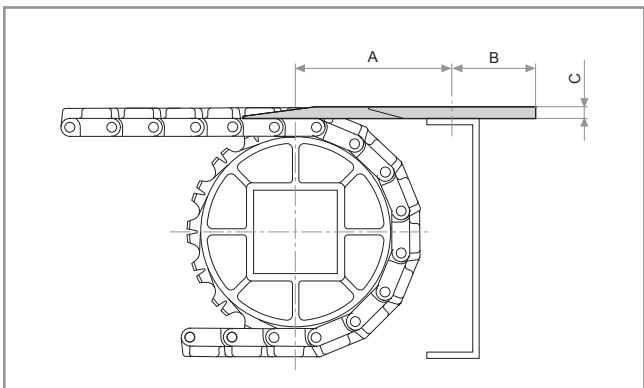
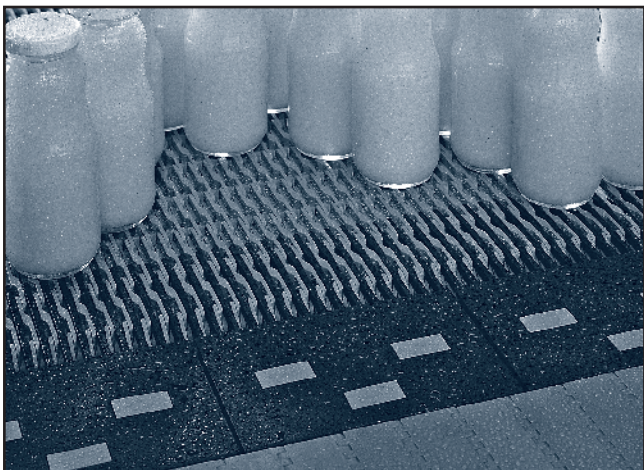


TECHNICAL DATA

TRANSFERENCECS

WITH FINGER PLATE

WITH BELT



SERIES	A	B	C
E20	75	40	5.5
A24 - E30 - E41	90	50	5.5

Using the Series E31 Lateral-Transfer Flat Top, dynamic and smooth lateral transferences can be carried out with no need of finger plates.

With one of its edges bevelled we manage to bring nearer the belts taking part in the transference, whereas the lower guides keep the belt aligned.

It has been designed for those applications in which we want to avoid the retention of containers in the transference area as well as to achieve more efficiency in their movement.

The EUROBELT finger plates are used with the Raised Rib type of Series E20, Series A24, Series E30 and Series E41. The transference can be done in the same direction or at 90 degrees, and it is carried out by the own push of the containers among themselves.

The transference is performed in a tangential way, both in the belt that delivers the containers and in the belt that receives them, avoiding the stumbling of the product with the edges of transference plates, also called dead plates, as well as the possibility of falls by overturning.

It is the ideal transference system for big accumulation tables, palletisers or depalletisers, pasteurisers and intersections of transport lines.

[Dimensions in mm]

WITH DEAD PLATE



In applications in which the containers have little stability, the transference area can be covered with a small dead plate made of a material of a low coefficient of friction.

It is placed in transferences to be made in the same direction, and it is recommended to be combined with belts of having a small pitch like Series C12, Series E20, Series A24 or Series E30, and turn diameters as small as possible in order to reduce the length of the dead plate.

WITH ROLLERS

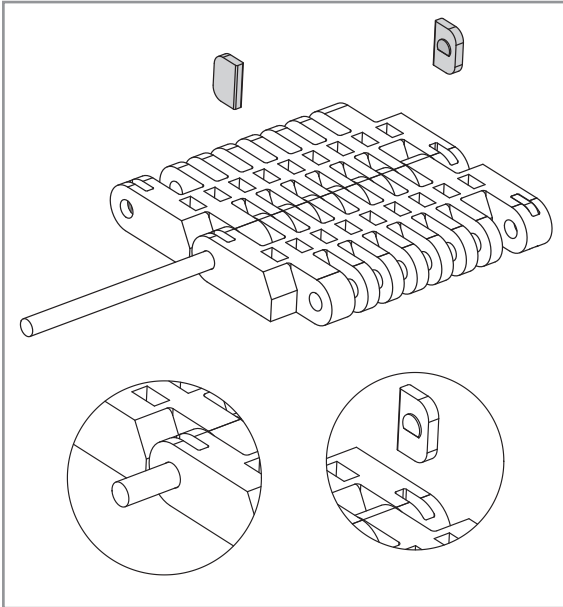


When the containers to be conveyed have a considerable dimension and a good stability, the transference area uses to be covered with free or motorised rollers.

This system is suitable both for transferences in the same direction and for those performed at 90 degrees.

It can be carried out with any of our belts.

INSTRUCTIONS



ASSEMBLY

Eurobelt belts are made of modules which are joined by means of joint rods and which constitute their transport area.

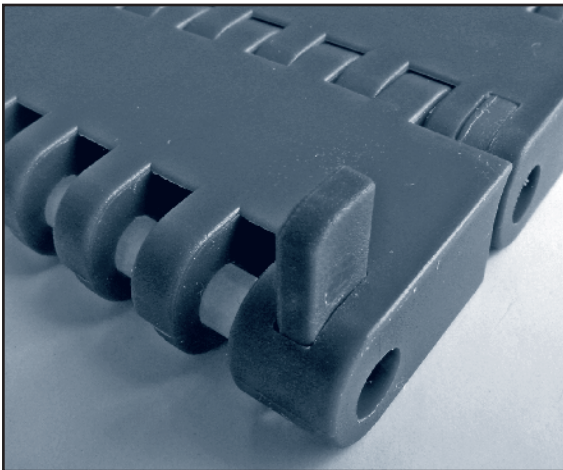
Their modular configuration allows us to manufacture a made-to-measure belt for you.

We will introduce the rod in the hole existing across every module to join the different lines of modules that make up the belt.

The fastening of the rods is carried out by means of extractable caps.

These caps will be inserted into the lodgings existing for that purpose in the end modules.

Finally, in order to make easier the positioning of the belt on the conveyor, both ends of the belt will be joined at the top of the conveyor.



DISMANTLING CAP

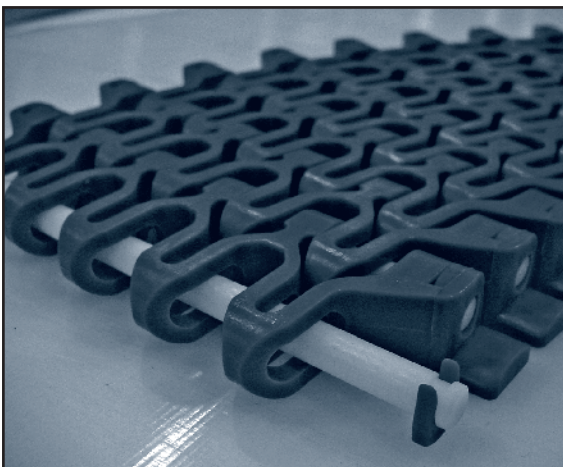
A. Lean the belt on a smooth area, leaving a free space underneath the line we are going to replace to allow the cap to get out.

B. Now we will pull out the caps placed at both ends, always from the top to the bottom.

C. We will push the rods until releasing the damaged module.

D. We will replace the damaged module and will introduce the rods.

E. Insert the caps, always from the top to the bottom.



DISMANTLING CLIP

A. Leave a free space underneath the ends of the line to pull out the clips, always from the bottom to the top.

B. Push the rods until releasing the damaged module.

C. Replace the damaged module and introduce the rods.

D. Insert the clips, always from the top to the bottom.

MAINTENANCE

One of the most important characteristics of the plastic modular belt is the low maintenance cost. With a minimal expenditure in preventive maintenance, the belt can work uninterruptedly until the wear of the material itself, due to the friction with the fixed portions of the conveyor, advises its replacement in order to avoid unexpected stops.

In case of accident (tear or breakage) the repair will just take some minutes, the necessary time for replacing the damaged modules with no need of any specific tool..

The maintenance works must be done by qualified personnel and always according to the valid legislation regarding Job Security.

Before installing and putting into operation the machine, all the checking and general maintenance instructions given by the manufacturer of the conveyor must be read carefully.

It is important to carry out a constant maintenance and/or cleaning of the machine, particularly in those areas in direct contact with the product.

First of all the machine will be switched off to avoid the risk of electric shock. Make sure the general switch is in the off position and the emergency stop of the machine is pressed.

For cleaning our plastic modular belts use water and gel, and rinse with water and disinfectant.

Before applying any gel or disinfectant to the belt, the label of the container should be read carefully to check the composition.

In order not to damage the belt, it is essential the composition of the gel and that of the disinfectant to be very low in chlorine. Any cutting element will never be used for the cleaning of the belt as it can cause its deterioration.



CHEMICAL RESISTANCE

CHEMICAL NAME	PP		PE		AC	
	20 °C	60 °C	20 °C	60 °C	20 °C	60 °C
Acetic acid	V	V	V	Q	-	-
Acetic acid (5%)	V	V	V	V	V	-
Acetone	V	V	V	V	Q	Q
Alcohol (all types)	V	V	V	V	-	-
Aluminium compounds	V	V	V	V	-	-
Alums (all types)	V	V	V	V	-	-
Ammonia	V	V	V	V	-	-
Ammonium compounds	V	V	V	V	-	-
Amyl acetate	Q	NV	Q	NV	-	-
Amyl chloride	NV	NV	Q	NV	-	-
Aniline	V	V	V	NV	-	Q
Aqua regia	NV	NV	Q	NV	-	-
Arsenic acid	V	V	V	V	-	-
Barium compounds	V	V	V	V	-	-
Barium soap fat	V	Q	-	-	-	-
Beer	V	V	V	V	-	-
Benzene	Q	NV	Q	NV	V	Q
Benzene sulphonic acid (10%)	V	V	V	V	-	-
Benzoic acid	V	V	V	V	-	-
Borax	V	V	V	V	-	-
Boric acid	V	V	V	V	-	-
Brake fluid	V	V	-	-	V	V
Brine (10%)	V	V	V	V	V	V
Bromic acid	NV	NV	NV	NV	-	-
Bromine, liquid or vapour	NV	NV	NV	NV	-	-
Bromine water	NV	NV	-	-	-	-
Butyl acetate	NV	NV	Q	NV	-	-
Butyl acid	NV	NV	V	Q	-	-
Butyric acid	V	-	V	Q	-	-
Calcium compounds	V	V	V	V	-	-
Calcium soap fat	V	Q	-	-	-	-
Calgonite (0,3%)	V	V	-	-	V	V
Carbon dioxide	V	V	V	V	-	-
Carbon disulphide	Q	NV	Q	NV	-	-
Carbon tetrachloride	NV	NV	NV	NV	V	Q

This chemical resistance guide is merely informative and it is based on specifications given by the suppliers of the technical plastics employed in our manufacturing process.

Materials:

- [PP]** Polypropylene
- [PE]** Polyethylene
- [AC]** Polyacetal

- [V]** Valid
- [NV]** Not Valid
- [Q]** Questionable
- [-]** No Information

CHEMICAL RESISTANCE

CHEMICAL NAME	PP		PE		AC	
	20 °C	60 °C	20 °C	60 °C	20 °C	60 °C
Cellosolve TM	V	V	-	-	-	-
Chloracetic acid	V	V	-	-	-	-
Chlorine-gas	NV	NV	Q	NV	NV	NV
Chlorine water (0,4% Cl)	V	Q	-	-	NV	NV
Chlorobenzene	NV	NV	Q	NV	-	-
Chloroform	NV	NV	NV	NV	-	-
Chlorosulphonic acid	NV	NV	NV	NV	-	-
Chlorox	NV	V	Q	-	-	NV
Chromic acid (50%)	V	V	V	Q	-	-
Citric acid	V	V	V	V	-	-
Citric acid (10%)	V	V	V	V	V	-
Citrics juice	V	V	V	V	-	-
Clorine liquid	NV	NV	NV	NV	NV	NV
Coconut oil	V	V	V	V	-	-
Copper compounds	V	V	V	V	-	-
Corn oil	V	V	V	V	-	-
Cottonseed oil	V	V	V	V	-	-
Cresol	V	V	V	Q	-	-
Cyclohexane	V	Q	NV	NV	-	-
Cyclohexanone	V	Q	NV	NV	-	-
Detergents	V	V	V	V	V	V
Dextrine	V	V	V	V	-	-
Di-iso-octyl phthalate	V	V	-	-	-	-
Dibutyl phthalate	V	Q	-	-	-	-
Diethanolamine	V	V	-	NV	-	-
Diethyl ether	NV	NV	NV	NV	Q	Q
Diglycolic acid (30%)	V	V	V	V	-	-
Dimethyl phthalate	V	V	-	-	-	-
Dimethylamine	V	-	-	-	-	-
Diocetyl phthalate	V	Q	-	-	-	-
Ethyl acetate	V	V	Q	Q	Q	NV
Ethyl ether	Q	Q	-	-	-	-
Ethylamine	V	V	-	-	-	-
Ethylene chloride	NV	NV	-	-	-	-
Ethylene glycol (50%)	V	V	V	V	V	Q

This chemical resistance guide is merely informative and it is based on specifications given by the suppliers of the technical plastics employed in our manufacturing process.

Materials:

- [PP]** Polypropylene
- [PE]** Polyethylene
- [AC]** Polyacetal

- [V]** Valid
- [NV]** Not Valid
- [Q]** Questionable
- [-]** No Information

CHEMICAL RESISTANCE

CHEMICAL NAME	PP		PE		AC	
	20 °C	60 °C	20 °C	60 °C	20 °C	60 °C
Ferric/ferrous compounds	V	V	V	V	-	-
Formaldehyde (37%)	V	V	V	Q	-	-
Formic acid (85%)	V	Q	V	V	-	-
Freon	-	-	V	V	Q	Q
Fuel oil	V	Q	V	NV	Q	Q
Furfural	NV	NV	Q	NV	-	-
Glucose	V	V	V	V	-	-
Glycerol	V	V	-	-	-	-
Grease	V	V	V	Q	-	-
Heptane	NV	NV	Q	NV	V	V
Hexane	V	Q	NV	NV	-	-
Hydriodic acid	NV	NV	-	-	-	-
Hydrobromic acid (50%)	V	V	V	V	-	-
Hydrochloric acid	V	V	V	V	NV	NV
Hydrochloric acid (10%)	V	V	V	V	NV	NV
Hydrofluoric acid (35%)	V	V	V	V	NV	NV
Hydrogen peroxide (3%)	V	V	V	V	V	V
Hydrogen peroxide (90%)	Q	Q	V	Q	-	-
Hydrogen sulphide	V	V	V	V	-	-
Igepal (50%)	V	V	-	-	V	Q
Iodine-glasses	V	V	Q	Q	-	-
Isooctane	NV	NV	V	-	-	-
Kerosine	Q	NV	Q	Q	V	V
Lactic acid	V	V	V	V	-	-
Lanolin	V	Q	V	V	-	-
Lard	-	-	V	V	-	-
Lauric acid	V	V	V	V	-	-
Lead acetate	V	V	V	V	-	-
Ligroine	Q	NV	-	-	-	-
Lime sulfur	V	-	-	-	-	-
Linseed oil	V	V	V	V	V	V
Lubricating oil	V	Q	-	-	V	V
Magnesium compounds	V	V	V	V	-	-
Malic acid (50%)	V	V	V	V	-	-
Manganese sulphate	V	-	V	V	-	-

This chemical resistance guide is merely informative and it is based on specifications given by the suppliers of the technical plastics employed in our manufacturing process.

Materials:

- [PP]** Polypropylene
- [PE]** Polyethylene
- [AC]** Polyacetal

- [V]** Valid
- [NV]** Not Valid
- [Q]** Questionable
- [-]** No Information

CHEMICAL RESISTANCE

CHEMICAL NAME	PP		PE		AC	
	20 °C	60 °C	20 °C	60 °C	20 °C	60 °C
Margarine	V	V	V	V	-	-
Mercury	V	V	V	V	-	-
Mercury compounds	V	V	V	V	-	-
Methyl cellosolve	V	-	-	-	-	-
Methyl chloride	NV	NV	-	-	-	-
Methyl ethyl kesone	V	Q	NV	NV	-	-
Methyl sulphuric acid	V	V	V	V	-	-
Methylene chloride	Q	NV	NV	NV	-	-
Mineral oil	Q	NV	V	NV	V	V
Mineral alcohols	Q	NV	-	-	-	-
Molasses	V	V	V	V	-	-
Motor oil	V	Q	-	-	V	V
Naphtha	V	Q	Q	NV	-	-
Nickel compounds	V	V	V	V	-	-
Nitric acid (30%)	V	Q	V	V	NV	NV
Nitric acid (50%)	Q	NV	V	Q	NV	NV
Nitric acid (fuming)	NV	NV	NV	NV	NV	NV
Nitrobenzene	V	Q	NV	NV	-	-
Nitrous acids	Q	NV	-	-	-	-
Nitrous oxide	V	-	-	-	-	-
Oil for transformers	V	Q	V	Q	-	-
Oleic acid	V	NV	-	-	V	V
Olive oil	V	V	V	V	-	-
Oxalic acid	V	V	V	V	-	-
Oxygen	NV	NV	-	-	-	-
Ozone	NV	NV	Q	NV	-	-
Palmitic acid (70%)	V	V	V	V	-	-
Perchloric acid (20%)	V	V	V	V	-	-
Perchloroethylene	NV	NV	NV	NV	-	-
Petrol	Q	NV	V	NV	V	V
Phenol (5%)	V	V	V	V	NV	NV
Phenol	V	V	V	V	NV	NV
Phosphoric acid (30%)	V	V	V	V	-	-
Phosphoric acid (85%)	V	V	V	V	-	-
Photographic solutions	V	V	V	V	-	-

This chemical resistance guide is merely informative and it is based on specifications given by the suppliers of the technical plastics employed in our manufacturing process.

Materials:

[PP] Polypropylene

[PE] Polyethylene

[AC] Polyacetal

[V] Valid

[NV] Not Valid

[Q] Questionable

[-] No Information

CHEMICAL RESISTANCE

CHEMICAL NAME	PP		PE		AC	
	20 °C	60 °C	20 °C	60 °C	20 °C	60 °C
Phthalic acid (50%)	V	V	V	V	-	-
Plating solutions	V	V	V	V	-	-
Potassium compounds	V	V	V	V	-	-
Potassium iodide 3% iodine	V	V	V	V	-	-
Potassium hydroxide	V	V	V	V	-	-
Potassium permanganate	V	Q	V	V	-	-
Silver cyanide	V	V	-	-	-	-
Silver nitrate	V	V	V	V	-	-
Sodium chlorite	V	Q	V	V	-	-
Sodium compounds	V	V	V	V	-	-
Sodium hydroxide	V	V	V	V	-	-
Sodium hydroxide (60%)	V	V	V	V	V	V
Sodium hypochlorite (5% Cl.)	V	Q	-	-	NV	NV
Stannic chloride	V	V	V	V	-	-
Stannous chloride	V	V	V	V	-	-
Stearic acid	V	Q	V	V	-	-
Succinic acid	V	V	V	V	-	-
Sugar	V	V	V	V	-	-
Sulphamic acid (20%)	V	V	-	-	NV	NV
Sulphite solutions	V	V	-	-	-	-
Sulphur	V	V	V	V	-	-
Sulphur bioxide	V	V	V	V	-	-
Sulphur chloride	V	-	-	-	-	-
Sulphuric acid (3%)	V	V	V	V	V	V
Sulphuric acid (50%)	V	V	V	V	NV	NV
Sulphuric acid (70%)	V	Q	V	Q	NV	NV
Sulphuric acid (fuming)	NV	NV	NV	NV	NV	NV
Sulphurous acid	V	-	V	V	-	-
Tannic acid (10%)	V	V	V	V	-	-
Tartaric acid	V	V	V	V	-	-
Tetrahydrofurane	Q	NV	-	-	-	-
Toluene	NV	NV	NV	NV	Q	NV
Tomato juice	V	V	V	V	-	-
Tributyllic phosphate	V	Q	-	-	-	-
Trichloroacetic acid	V	V	-	-	-	-

This chemical resistance guide is merely informative and it is based on specifications given by the suppliers of the technical plastics employed in our manufacturing process.

Materials:

- [PP]** Polypropylene
- [PE]** Polyethylene
- [AC]** Polyacetal

- [V]** Valid
- [NV]** Not Valid
- [Q]** Questionable
- [-]** No Information

CHEMICAL RESISTANCE

CHEMICAL NAME	PP		PE		AC	
	20 °C	60 °C	20 °C	60 °C	20 °C	60 °C
Trichloroethylene	NV	NV	NV	NV	-	-
Tricresylic phosphate	V	Q	-	-	-	-
Trisodium phosphate	V	V	V	V	-	-
Turbosine	Q	NV	Q	Q	V	V
Turpentine	Q	NV	Q	NV	-	-
Urea	V	V	V	V	-	-
Vinegar	V	V	V	V	-	-
Wine	V	V	V	V	-	-
Xylene	NV	NV	NV	NV	-	-
Zinc compounds	V	V	V	V	-	-

This chemical resistance guide is merely informative and it is based on specifications given by the suppliers of the technical plastics employed in our manufacturing process.

Materials:

- [PP]** Polypropylene
- [PE]** Polyethylene
- [AC]** Polyacetal

- [V]** Valid
- [NV]** Not Valid
- [Q]** Questionable
- [-]** No Information

INDUSTRIES



POULTRY

CANDY

DAIRY

BEVERAGE

CONFECTIONERY

FISH

WINE

MEAT

SNAKS

VEGETABLES

CANNING

PACKING

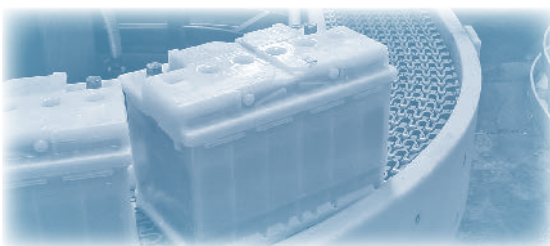
CAR



INDUSTRIES

APPLICATIONS

APPLICATIONS INDUSTRY	C12		E20					A24			E30								
	FT	FG	FT	FG	RR	TF	TR	SR	FT	FG	RR	FT	PF	FG	OG	RR	TF	FF	SR
CAR INDUSTRY																			
Charge of batteries																			
All kind of curves																			
Degreasing																			
Elevating lines																			
Elevators of residues														•					
Tyre production lines														•		•			
Positioning for welding																			
Bidirectional conveyors															•				
Transport of people																			
Transport of delicate pieces																			
Transport of cars																			
Accumulation tables																			
POULTRY																			
Accumulation of containers														•					
Boiling															•				
All kind of curves																			
Metal detectors	•	•	•	•					•	•		•		•					
Chicken frames elevation																			
Elevating and descending spirals																			
Washers of containers															•				
Quartering lines																			
Packaging lines	•	•	•	•					•	•		•		•					
Slicing lines		•		•						•				•					
Reject by weight control	•	•	•	•					•	•		•		•					
Non-slip conveyors						•											•		•



[FT] Flat Top	[FG] Flush Grid	[RR] Raised Rib	[KN] Knurled
[PF] Perforated Flat Top	[OG] Open Grid	[NS] Non Slip	[CO] Conic

APPLICATIONS

APPLICATIONS INDUSTRY	C12		E20					A24			E30								
	FT	FG	FT	FG	RR	TF	TR	SR	FT	FG	RR	FT	PF	FG	OG	RR	TF	FF	SR
BEVERAGE																			
All kind of curves																			
Casing										•				•		•			
Coolers										•				•		•			
Elevating and descending spirals																			
Filters of residues																			
Control and inspection										•				•		•			
Washers		•												•					
Height speed lines	•	•	•	•					•			•		•					
Palletisers and depalletisers		•										•		•		•			
Pasteurisers																			
Accumulation tables		•							•		•	•		•		•			
SWEETS																			
Accumulation			•						•			•							
Hopper feeders			•						•			•							
Metal detectors	•	•	•	•					•	•		•		•					
Distributors			•						•			•							
Elevators												•		•					
Elevating and descending spirals																			
Humidifiers		•		•										•					
Cooling lines		•		•										•					
Packaging	•	•	•	•					•			•		•					



[FT] Flat Top
[PF] Perforated Flat Top

[FG] Flush Grid
[OG] Open Grid

[RR] Raised Rib
[NS] Non Slip

[KN] Knurled
[CO] Conic

APPLICATIONS

APPLICATIONS INDUSTRY	C12		E20						A24			E30							
	FT	FG	FT	FG	RR	TF	TR	SR	FT	FG	RR	FT	PF	FG	OG	RR	TF	FF	SR
MEAT																			
Boiling																			
Metal detectors	•	•	•	•					•	•		•		•					
Elevators												•							
Washers														•					
Cut and quartering lines																			
Evisceration lines																			
Transport and inspection lines									•					•					
Liquid injection machines																			
Plastic film wrapping		•		•										•					
Vacuum machines												•		•					
Freezing tunnels																			
Pasteurisers																			
PRESERVED FOOD																			
Whiteners																			
Selection tables		•		•						•				•					
Boiling																			
Freezers																			
Metal detectors		•		•	•					•	•			•		•			
Swan-necked elevators												•		•					
Magnetic elevators	•	•	•						•			•							
Casing		•		•	•					•	•			•		•			
Washers		•												•					
Oil filling lines		•		•										•					
Palletisers and Depalletisers	•	•	•		•				•		•	•				•			
Pasteurisers																			
Accumulation tables		•							•	•	•	•		•		•			
Acid towers (for peeling fruit)															•				



[FT] Flat Top
[PF] Perforated Flat Top

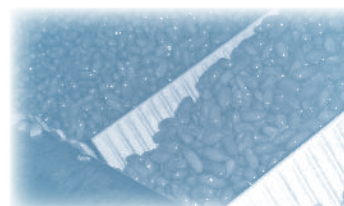
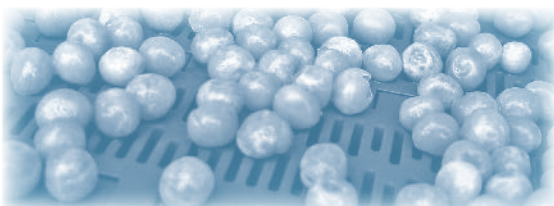
[FG] Flush Grid
[OG] Open Grid

[RR] Raised Rib
[NS] Non Slip

[KN] Knurled
[CO] Conic

APPLICATIONS

APPLICATIONS INDUSTRY	C12		E20					A24			E30								
	FT	FG	FT	FG	RR	TF	TR	SR	FT	FG	RR	FT	PF	FG	OG	RR	TF	FF	SR
VEGETABLES																			
Whiteners																			
Freezers																			
All kind of curves																			
Metal detectors	•	•	•	•					•			•		•					
Swan-necked elevators												•		•					
Casing		•		•	•					•	•			•		•			
Sewage filter		•		•	•					•	•			•		•			
Hydrocooling		•												•					
Transport lines in flooded pools				•						•				•					
Selection tables in closed circuit																			
Pasteurisers																			
Non-slip conveyors						•											•	•	
Treatment with acids		•		•										•					
DAIRY																			
Brine pools														•					
Freezing																			
All kind of curves																			
Metal detectors	•	•	•	•					•			•		•					
Cheese moulds elevators																			
Whey wringers		•		•										•					
Drying ovens		•		•										•					
Cooling lines		•		•										•					
Chemical treatment machines				•										•					
Cheese presses														•					
Turning round of boxes												•		•					



[FT] Flat Top
[PF] Perforated Flat Top

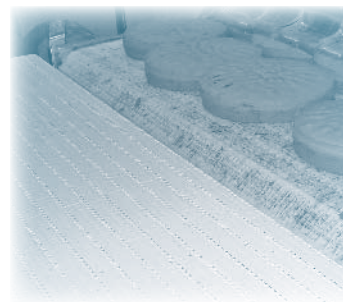
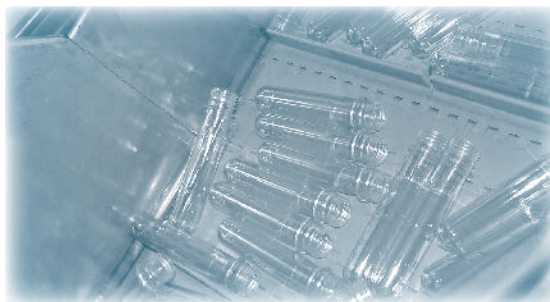
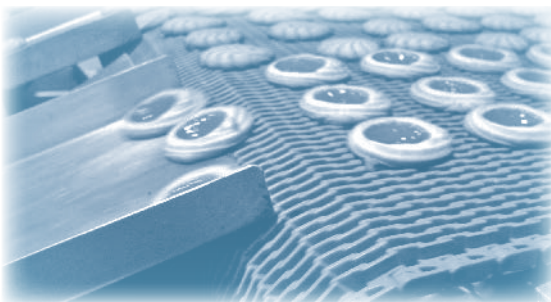
[FG] Flush Grid
[OG] Open Grid

[RR] Raised Rib
[NS] Non Slip

[KN] Knurled
[CO] Conic

APPLICATIONS

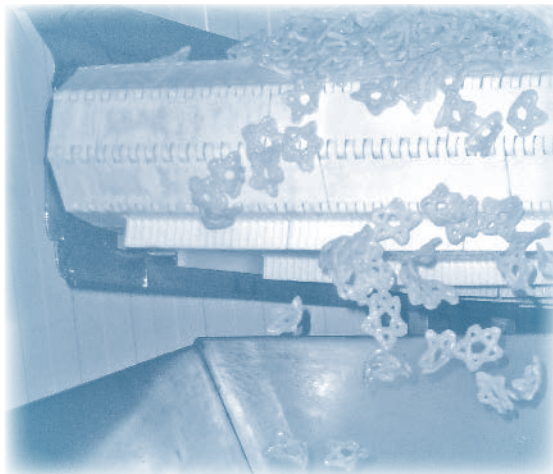
APPLICATIONS INDUSTRY	C12		E20						A24			E30							
	FT	FG	FT	FG	RR	TF	TR	SR	FT	FG	RR	FT	PF	FG	OG	RR	TF	FF	SR
PACKING																			
Pile-up machines	•	•	•									•							
Accumulation								•											•
Pallet automatic loader																			
Diversers	•	•	•									•							
Metal detectors	•	•	•	•					•			•		•					
Distributors		•										•							
Flexible distributors																			
Vertical elevators																			
Accumulation or elevation spirals																			
Packing closed circuits																			
CONFECTIONNERY																			
Accumulation tables of boxes and containers	•		•						•			•		•					
Loaders of tunnel ovens		•		•										•					
All kind of curves																			
Metal detectors		•		•						•				•					
Elevators with flights												•		•					
Vertical elevators																			
Cooling and freezing spirals																			
Cooling lines		•		•	•									•		•			
Selection tables		•		•										•					
Accumulation tables	•		•		•											•			
Non-slip conveyors						•											•	•	



[FT] Flat Top	[FG] Flush Grid	[RR] Raised Rib	[KN] Knurled
[PF] Perforated Flat Top	[OG] Open Grid	[NS] Non Slip	[CO] Conic

APPLICATIONS

APPLICATIONS INDUSTRY	C12		E20					A24			E30								
	FT	FG	FT	FG	RR	TF	TR	SR	FT	FG	RR	FT	PF	FG	OG	RR	TF	FF	SR
FISH																			
Boiling																			
Desfreezing															•	•			
Metal detectors	•	•	•	•					•	•		•		•					
Elevators												•		•					
Icing of frozen products		•			•						•				•	•			
Washers														•					
Aseptic transport lines	•	•	•	•					•	•		•		•					
Plastic film wrapping	•	•	•	•	•				•	•	•	•		•		•			
Macerating and mixing applications		•		•									•	•					
Freezing tunnels																			
Drying tunnels		•		•						•				•					
SNACK																			
Lines for product preparation		•		•										•					
Feeder for rotating tables						•										•	•		
Metal detectors	•	•	•	•					•	•		•		•					
Elevators												•		•					
Coolers		•		•										•					
Washers				•										•					
Salters		•		•										•					



[FT] Flat Top
[PF] Perforated Flat Top

[FG] Flush Grid
[OG] Open Grid

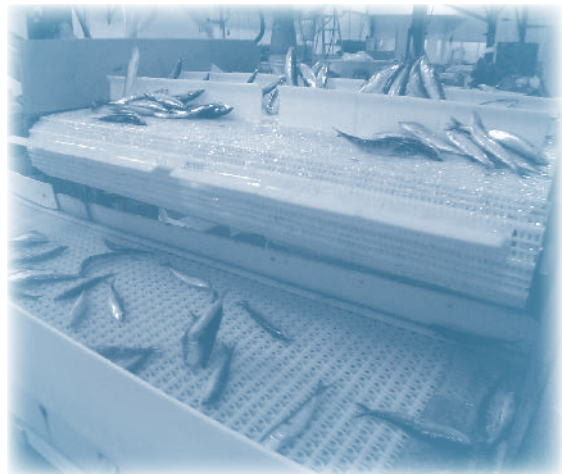
[RR] Raised Rib
[NS] Non Slip

[KN] Knurled
[CO] Conic

E31		E32		E40				E41	E50								B50		E80		E93			
LT	FT	FT	FG	NS	SR	RR	FT	PF	FG	OG	KN	CO	TF	CF	SR	FT	PF	FT	PF	FG	CO	CF	SR	

									•								•						
									•	•													
							•		•								•		•				
		•					•		•								•		•				
										•											•		
										•							•		•		•		
										•							•		•				
								•		•							•		•				
										•	•										•		
										•							•				•		

									•														
							•		•								•		•				
		•					•		•								•		•				
									•												•		
									•												•		
									•												•		



[TR] Trian	[FF] Flat Friction Top	[SR] Sliding Rollers
[TF] Trian Friction Top	[CF] Conic Friction Top	[LT] Lateral Transfer

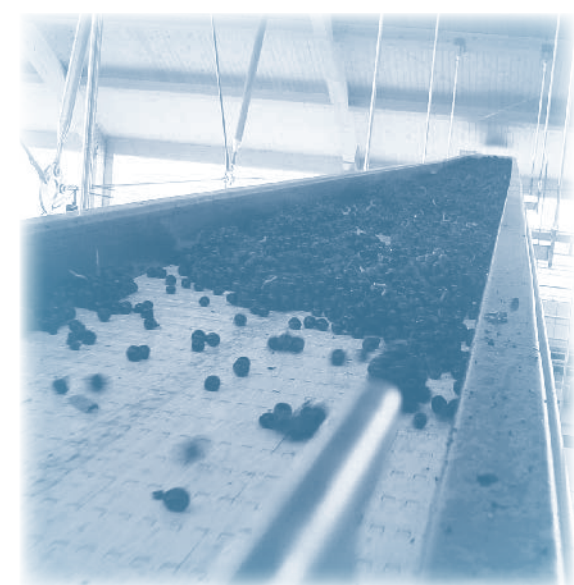
APPLICATIONS

APPLICATIONS INDUSTRY	C12		E20					A24			E30									
	FT	FG	FT	FG	RR	TF	TR	SR	FT	FG	RR	FT	PF	FG	OG	RR	TF	FF	SR	
WINE																				
Infeed for stalk removing																				
Bottles feeding	•	•	•	•					•			•							•	
Elimination belts																				
Casing										•	•			•		•				
Elevators																				
Washers																				
Lines of different speeds		•							•			•								
Selection tables																				
Palletisers and depalletisers	•			•	•					•	•			•		•				
Pasteurisers																				
Accumulation tables	•	•	•		•				•		•	•				•				
Reception hoppers																				



[FT] Flat Top	[FG] Flush Grid	[RR] Raised Rib	[KN] Knurled
[PF] Perforated Flat Top	[OG] Open Grid	[NS] Non Slip	[CO] Conic

E31		E32		E40				E41	E50								B50		E80		E93			
LT	FT	FT	FG	NS	SR	RR	FT	PF	FG	OG	KN	CO	TF	CF	SR	FT	PF	FT	PF	FG	CO	CF	SR	
																•		•						
							•									•		•						
																•		•						
			•			•										•		•						
							•									•		•			•			
•	•																							
																•		•						
			•			•																		
						•																		
						•																		
																•		•						



[TR] Trian	[FF] Flat Friction Top	[SR] Sliding Rollers
[TF] Trian Friction Top	[CF] Conic Friction Top	[LT] Lateral Transfer

CUSTOMER SERVICE

EUROBELT elements are manufactured with plastic materials. Consequently, their direct exposure to fire or to higher temperatures than those indicated can produce their deflagration together with the emission of toxic fumes.

EUROBELT elements are guaranteed for a period of one year from the date of shipment with respect to the repair or substitution of any component whose materials or manufacture is defective, provided it is demonstrated that the work has been done under normal conditions of use.

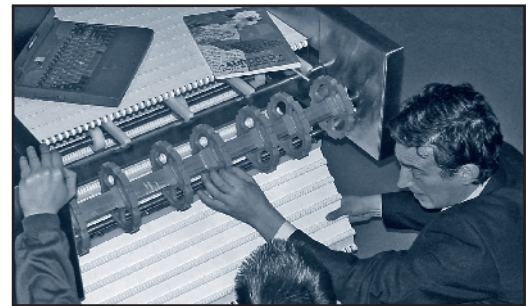
No other expressed or implicit guarantee is given, unless it were set down in writing and approved by the manufacturer.

Any use of the EUROBELT products has to observe the regulations and rules prevailing and the user is the only responsible to make observe these regulations when incorporating those products into any machine.

To clean our plastic modular belts, use water and gel, rinse with water and disinfectant. We recommend the manipulation to be always carried out by qualified personnel as well as to fulfil the instructions of revision and maintenance given by the manufacturer of the conveyor.

The data included here are of informative nature. Their applicability to the design of any installation is not guaranteed.

The manufacturer does not assume any responsibility for the repercussions derived from the use of his products, whether it is based or not on the information herein.



AFHER EUROBELT S.A.
Topacio, 41
47012 Valladolid (Spain)
Tel.: +34 983 217 480
Fax: +34 983 217 481
after@eurobelt.com
www.eurobelt.com

DISTRIBUTOR:

