

DYSTRYBUTOR



**TECHNICAL**

**GRZEGORZ TĘGOS**

TECHNIKA NAPĘDU I TRANSMISJI MOCY

62-600 Koło, ul. Toruńska 212  
tel. 0-63/ 27 25 478 / fax. 0-63/ 26 16 258

[www.technical.pl](http://www.technical.pl)  
[biuro@technical.pl](mailto:biuro@technical.pl)

Sklep internetowy  
[www.sklep.technical.pl](http://www.sklep.technical.pl)

# **Sterowania kół pasowych wariatorowych**



**PIAZZALUNGA**

**TXR**

**PULEGGE  
VARIABILI  
VARIABLE  
PULLEYS**



**PIAZZALUNGA**

# PULEGGE VARIABILI VARIABLE SPEED PULLEYS

Le pulegge variabili serie TXR sono state sviluppate per applicazioni gravose che necessitano di potenze fino a 55 kW.

L'impiego di materiali tecnologicamente avanzati e processi di produzione innovativi, consente un utilizzo duraturo nel tempo esente da manutenzioni



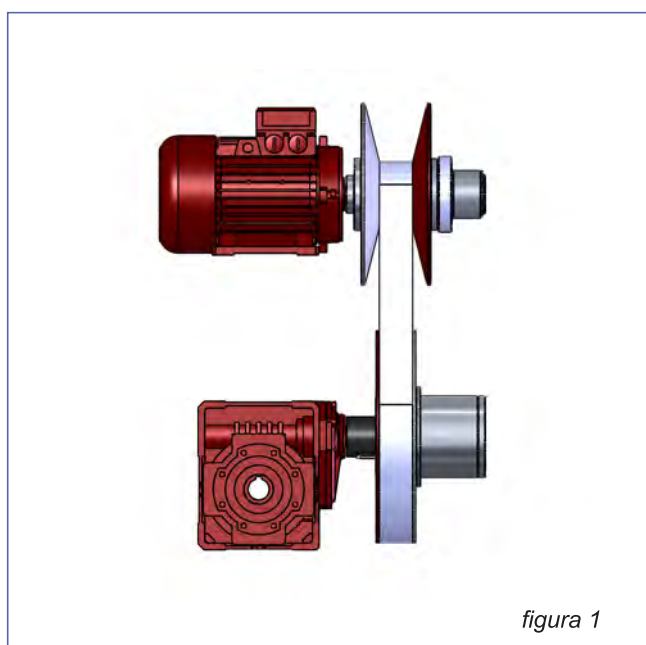
*Variable pulleys TXR series have been designed for heavy applications that need powers up to 55 kW.*

*Use of state of the art materials and advanced production processes allows pulleys' maintenance free long life*

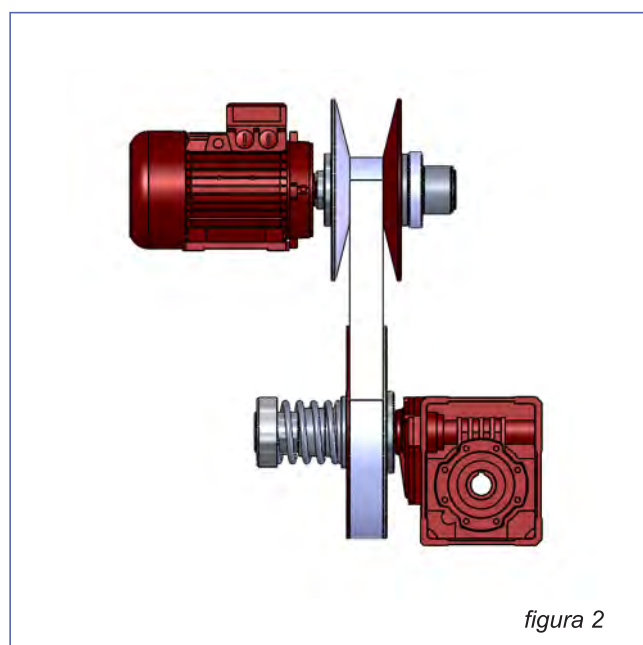
## CARATTERISTICHE TECNICHE – TECHNICAL FEATURES

| GRAND<br>SIZE | POTENZA<br>POWER<br>[kW] | VAR<br>RATIO | 4 POLI<br>4 POLES         |                           | 6 POLI<br>6 POLES         |                           | 8 POLI<br>8 POLES         |                           |
|---------------|--------------------------|--------------|---------------------------|---------------------------|---------------------------|---------------------------|---------------------------|---------------------------|
|               |                          |              | $n_{2 \text{ min}}$ [rpm] | $n_{2 \text{ max}}$ [rpm] | $n_{2 \text{ min}}$ [rpm] | $n_{2 \text{ max}}$ [rpm] | $n_{2 \text{ min}}$ [rpm] | $n_{2 \text{ max}}$ [rpm] |
| 350           | 22,0                     | 6,7          | 423                       | 2828                      | 263                       | 1755                      | 219                       | 1463                      |
| 400           | 37,0                     | 6,3          | 454                       | 2866                      | 282                       | 1779                      | 235                       | 1483                      |
| 450           | 55,0                     | 6,9          | 445                       | 3057                      | 276                       | 1897                      | 230                       | 1581                      |

### MONTAGGIO U U ASSEMBLING



### MONTAGGIO Z Z ASSEMBLING



# PULEGGE VARIABILI

## VARIABLE SPEED PULLEYS

---



***Puleggia motrice tipo R, predisposta con cuscinetto per attacco universale comando apertura/chiusura***

*R driving pulley, with bearing for open/close universal joint*

---



***Puleggia motrice tipo V con comando manuale***

*V driving pulley with manual adjusting device*

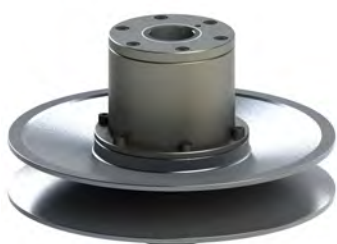
---



***Puleggia motrice tipo H con comando idraulico***

*H driving pulley with hydraulic adjusting device*

---



***Puleggia condotta U, predisposta per applicazioni con montaggio ad U del motore/riduttore (figura 1)***

*U driven pulley, for U motor/gearbox assembly applications (figure 1)*

---



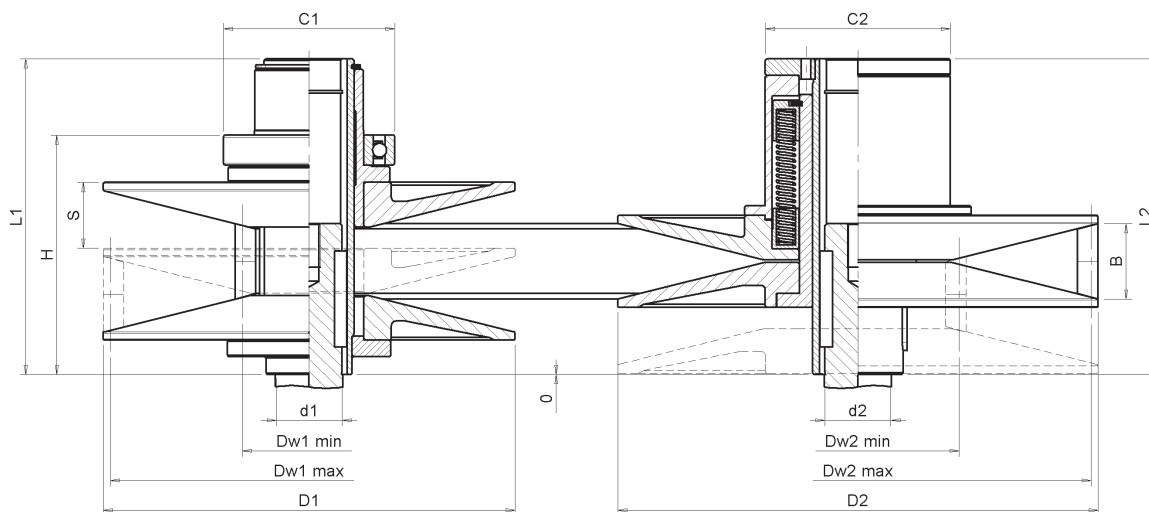
***Puleggia condotta Z, predisposta per applicazioni con montaggio ad Z del motore/riduttore (figura 2)***

*Z driven pulley, for Z motor/gearbox assembly applications (figure 2)*

---

# PULEGGE VARIABILI

## VARIABLE SPEED PULLEYS



**TXR U**

| GRANDEZZA<br>SIZE                   |                                    | 350         | 400   | 450   |       |      |      |
|-------------------------------------|------------------------------------|-------------|-------|-------|-------|------|------|
| CINGHIA<br>BELT                     | <b>B</b>                           | 55x15       | 65x20 | 70x20 |       |      |      |
| POTENZA<br>POWER                    | [kW]                               | 18,5        | 22,0  | 30,0  | 37,0  | 45,0 | 55,0 |
| PULEGGIA MOTTRICE<br>DRIVING PULLEY | $d_1^{(1)}$                        | 48          | 48    | 55    | 60    | 60   | 65   |
|                                     | $D_1$                              | 300,0       | 350,0 | 400,0 |       |      |      |
|                                     | $D_{w1}$                           | min         | 100,0 | 122,0 | 135,0 |      |      |
|                                     |                                    | max         | 292,5 | 340,0 | 390,0 |      |      |
|                                     | $L_1$                              | 230,0       | 250,0 | 270,0 |       |      |      |
|                                     | $C_1$                              | 125,0       | 150,0 | 150,0 |       |      |      |
|                                     | $H$                                | min         | 126,5 | 141,3 | 150,1 |      |      |
|                                     |                                    | max         | 174,5 | 195,7 | 208,9 |      |      |
|                                     | $S$                                | 48,0        | 54,4  | 58,9  |       |      |      |
|                                     | PULEGGIA CONDOTTA<br>DRIVEN PULLEY | $d_2^{(1)}$ | 48    | 48    | 55    | 60   | 60   |
| $D_2$                               |                                    | 350,0       | 400,0 | 450,0 |       |      |      |
| $D_{w2}$                            |                                    | min         | 150,0 | 172,0 | 185,0 |      |      |
|                                     |                                    | max         | 342,5 | 390,0 | 440,0 |      |      |
| $L_2$                               |                                    | 230,0       | 250,0 | 270,0 |       |      |      |
| $C_2$                               |                                    | 135,0       | 155,0 | 160,0 |       |      |      |

(1) FORI ISO H7 – CAVE CHIAVETTA UNI 6604/69 – DIN 6885/1-3

(1) FORI SPECIALI A RICHIESTA

DIMENSIONI IN [mm] – NON IMPEGNATIVE

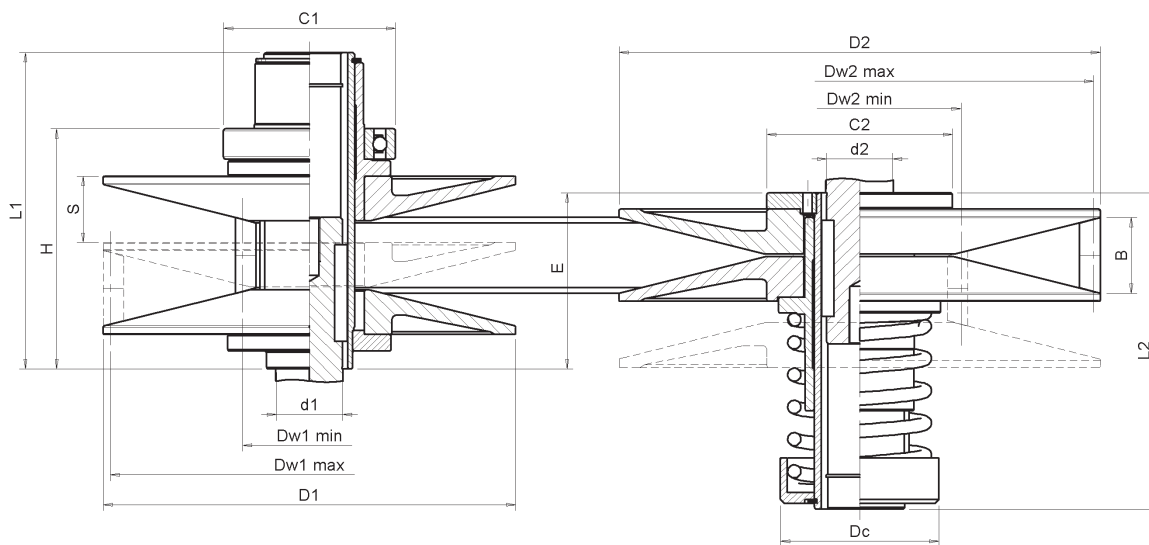
(1) BORES ISO H7 – KEYWAYS UNI 6604/69 – DIN 6885/1-3

(1) SPECIAL BORES ON DEMAND

DIMENSIONS IN [mm] – NOT BINDING DATA

# PULEGGE VARIABILI

## VARIABLE SPEED PULLEYS



**TXR Z**

| GRANDEZZA<br>SIZE                         |                          | 350   | 400   | 450   |       |      |      |
|---|--------------------------|-------|-------|-------|-------|------|------|
| <b>CINGHIA</b><br>BELT                    | <b>B</b>                 | 55x15 | 65x20 | 70x20 |       |      |      |
| <b>POTENZA</b><br>POWER                   | [kW]                     | 18,5  | 22,0  | 30,0  | 37,0  | 45,0 | 55,0 |
| <b>PULEGGIA MOTRICE</b><br>DRIVING PULLEY | <b>d<sub>1</sub></b> (1) | 48    | 48    | 55    | 60    | 60   | 65   |
|   | <b>D<sub>1</sub></b>     | 300,0 | 350,0 | 400,0 |       |      |      |
|   | <b>D<sub>w1</sub></b>    | min   | 100,0 | 122,0 | 135,0 |      |      |
|   |                          | max   | 292,5 | 340,0 | 390,0 |      |      |
|   | <b>L<sub>1</sub></b>     | 230,0 | 250,0 | 270,0 |       |      |      |
|   | <b>C<sub>1</sub></b>     | 125,0 | 150,0 | 150,0 |       |      |      |
|   | <b>H</b>                 | min   | 126,5 | 141,3 | 150,1 |      |      |
|   |                          | max   | 174,5 | 195,7 | 208,9 |      |      |
| <b>S</b>                                  | 48,0                     | 54,4  | 58,9  |       |       |      |      |
| <b>PULEGGIA CONDOTTA</b><br>DRIVEN PULLEY | <b>d<sub>2</sub></b> (1) | 48    | 48    | 55    | 60    | 60   | 65   |
|   | <b>D<sub>2</sub></b>     | 350,0 | 400,0 | 450,0 |       |      |      |
|   | <b>D<sub>w2</sub></b>    | min   | 150,0 | 172,0 | 185,0 |      |      |
|   |                          | max   | 342,5 | 390,0 | 440,0 |      |      |
|   | <b>D<sub>c</sub></b>     | 105   | 130   | 135   |       |      |      |
|   | <b>L<sub>2</sub></b>     | 230,0 | 250,0 | 270,0 |       |      |      |
|   | <b>C<sub>2</sub></b>     | 135,0 | 155,0 | 160,0 |       |      |      |
|   | <b>E</b>                 | 128   | 144   | 155   |       |      |      |

(1) FORI ISO H7 – CAVE CHIAVETTA UNI 6604/69 – DIN 6885/1-3

(1) FORI SPECIALI A RICHIESTA

DIMENSIONI IN [mm] – NON IMPEGNATIVE

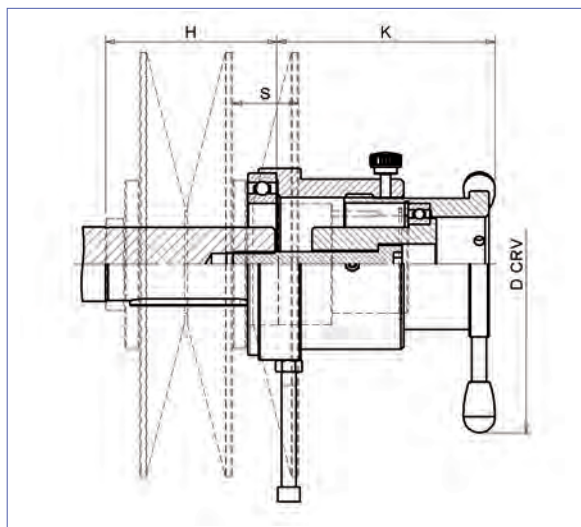
(1) BORES ISO H7 – KEYWAYS UNI 6604/69 – DIN 6885/1-3

(1) SPECIAL BORES ON DEMAND

DIMENSIONS IN [mm] – NOT BINDING DATA

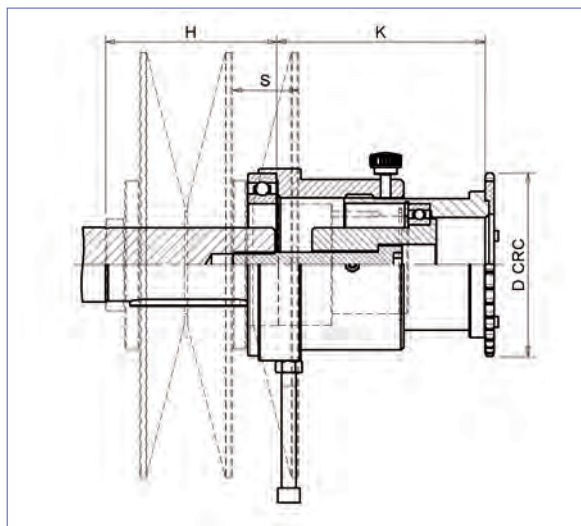
# PULEGGE VARIABILI VARIABLE SPEED PULLEYS

**TXR**



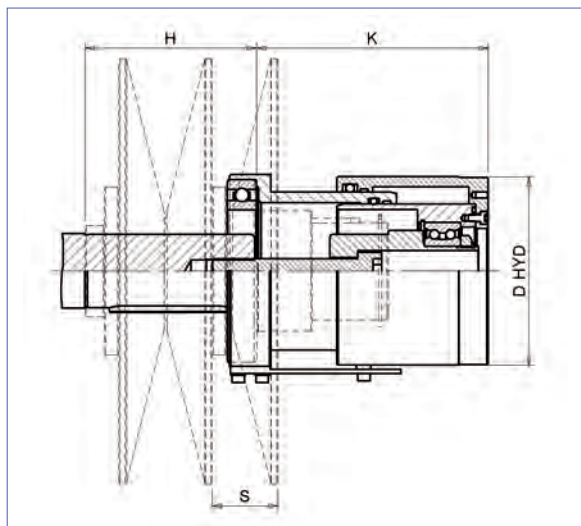
## COMANDO REGOLAZIONE MANUALE MANUAL ADJUSTING DEVICE **CRV**

|           | 350   | 400   | 450   |
|-----------|-------|-------|-------|
| $D_{CRV}$ | 258,0 | 278,0 | 278,0 |
| $H$       | 126,5 | 141,3 | 150,1 |
| $K$       | 161,0 | 175,0 | 186,5 |
| $S$       | 48,0  | 54,4  | 58,9  |



## COMANDO REGOLAZIONE CORONA CHAIN ADJUSTING DEVICE **CRC**

|               | 350            | 400            | 450            |
|---------------|----------------|----------------|----------------|
| $D_{CRC} (1)$ | 1/2"x5/16" z28 | 1/2"x5/16" z36 | 1/2"x5/16" z36 |
| $H$           | 126,5          | 141,3          | 150,1          |
| $K$           | 165,0          | 179,5          | 191,0          |
| $S$           | 48,0           | 54,4           | 58,9           |



## COMANDO REGOLAZIONE IDRAULICO HYDRAULIC ADJUSTING DEVICE **HYD**

|           | 350   | 400   | 450   |
|-----------|-------|-------|-------|
| $D_{HYD}$ | 140,0 | 155,0 | 155,0 |
| $H$       | 126,5 | 141,3 | 150,1 |
| $K$       | 163,0 | 192,0 | 196,0 |
| $S$       | 48,0  | 54,4  | 58,9  |

(1) A RICHIESTA CORONE PER CATENA DIFFERENTI

(1) OTHER CHAIN CROWNS ON DEMAND