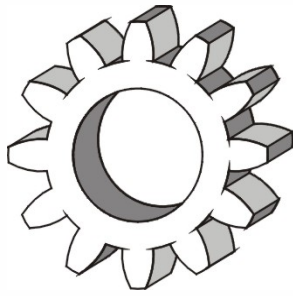


DYSTRYBUTOR



**TECHNICAL**

**GRZEGORZ TĘGOS**

TECHNIKA NAPĘDU I TRANSMISJI MOCY

62-600 Koło, ul. Toruńska 212  
tel. 0-63/ 27 25 478 / fax. 0-63/ 26 16 258

[www.technical.pl](http://www.technical.pl)  
[biuro@technical.pl](mailto:biuro@technical.pl)

Sklep internetowy  
[www.sklep.technical.pl](http://www.sklep.technical.pl)

## **Koła standardowe do łańcuchów płytkowych MAGRIS**

\*koła napędowe

\*koła bierne zwrotne

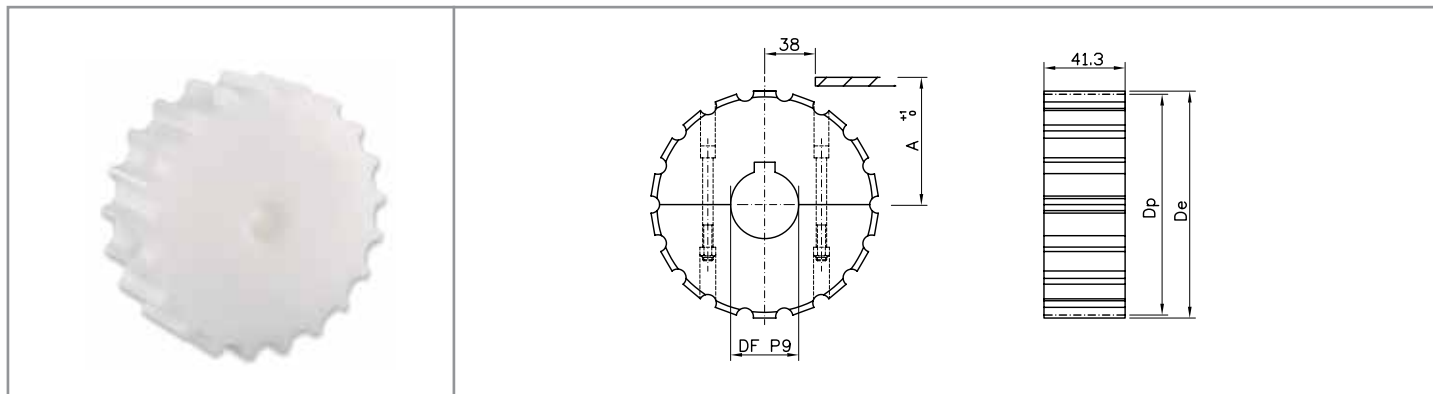
# Accessories

## ED02

MakesMoving

# machined sprockets

## 812 / 815 / 881 M SERIES

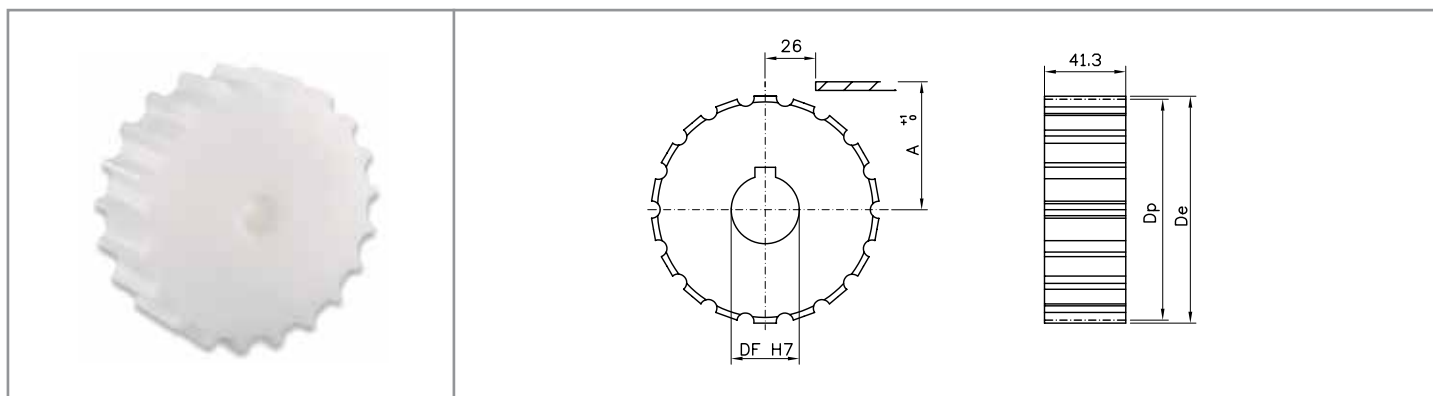


### Split sprockets

material: polyamide - screws in stainless steel - UNI 6604 - 69 key seat

DIMENSIONS				PRODUCT CODE				
Z	De	Dp	A	DF 18*	DF 25	DF 30	DF 35	DF 40
17	103.9	105.47	55.9	S11017 18	S11017 25	S11017 30	S11017 35	S11017 40
19	117.0	117.34	61.9	S11019 18	S11019 25	S11019 30	S11019 35	S11019 40
21	129.0	129.26	67.8	S11021 18	S11021 25	S11021 30	S11021 35	S11021 40
23	142.0	141.21	73.8	S11023 18	S11023 25	S11023 30	S11023 35	S11023 40
25	154.0	153.21	79.8	S11025 18	S11025 25	S11025 30	S11025 35	S11025 40
27	166.8	165.21	85.8	S11027 18	S11027 25	S11027 30	S11027 35	S11027 40
29	178.5	177.24	91.8	S11029 18	S11029 25	S11029 30	S11029 35	S11029 40

\* plain bore



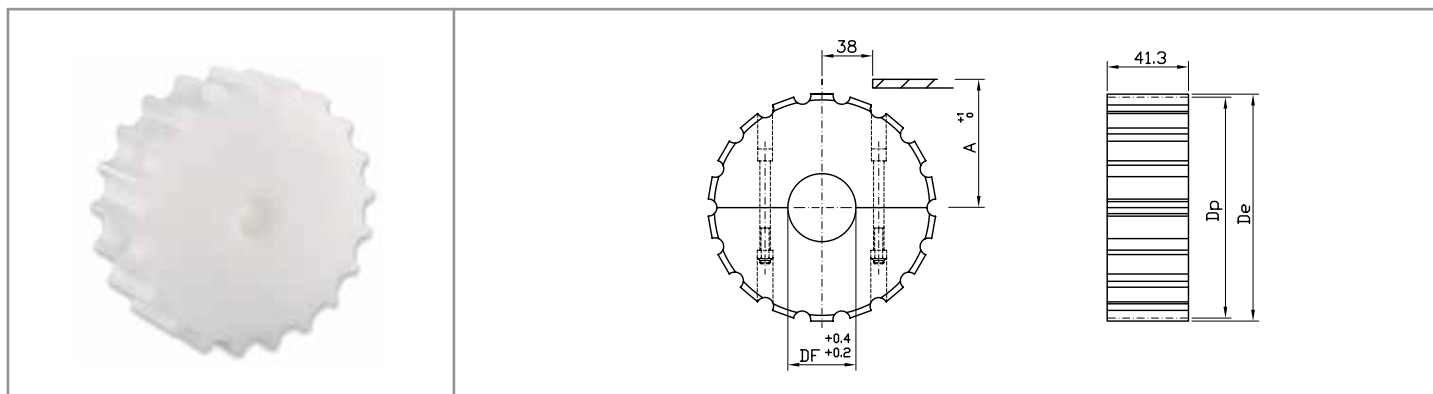
### Standard sprockets

material: polyamide - UNI 6604 - 69 key seat

DIMENSIONS				PRODUCT CODE			
Z	De	Dp	A	DF 25	DF 30	DF 35	DF 40
17	103.9	105.47	55.9	S01017 25	S01017 30	S01017 35	S01017 40
19	117.0	117.34	61.9	S01019 25	S01019 30	S01019 35	S01019 40
21	129.0	129.26	67.8	S01021 25	S01021 30	S01021 35	S01021 40
23	142.0	141.21	73.8	S01023 25	S01023 30	S01023 35	S01023 40
25	154.0	153.21	79.8	S01025 25	S01025 30	S01025 35	S01025 40
27	166.8	165.21	85.8	S01027 25	S01027 30	S01027 35	S01027 40
29	178.5	177.24	91.8	S01029 25	S01029 30	S01029 35	S01029 40

# machined idler wheels

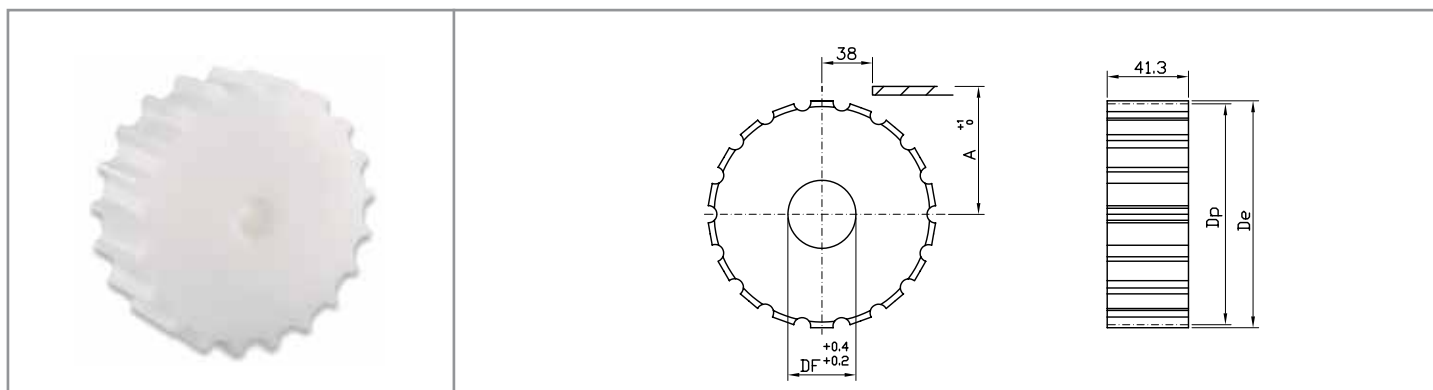
## 812 / 815 / 881 M SERIES



### Split idler wheels

material: polyamide - screws in stainless steel

DIMENSIONS				PRODUCT CODE			
Z	De	Dp	A	DF 25	DF 30	DF 35	DF 40
17	103.9	105.47	55.9	R11017 25	R11017 30	R11017 35	R11017 40
19	117.0	117.34	61.9	R11019 25	R11019 30	R11019 35	R11019 40
21	129.0	129.26	67.8	R11021 25	R11021 30	R11021 35	R11021 40
23	142.0	141.21	73.8	R11023 25	R11023 30	R11023 35	R11023 40
25	154.0	153.21	79.8	R11025 25	R11025 30	R11025 35	R11025 40
27	166.8	165.21	85.8	R11027 25	R11027 30	R11027 35	R11027 40
29	178.5	177.24	91.8	R11029 25	R11029 30	R11029 35	R11029 40



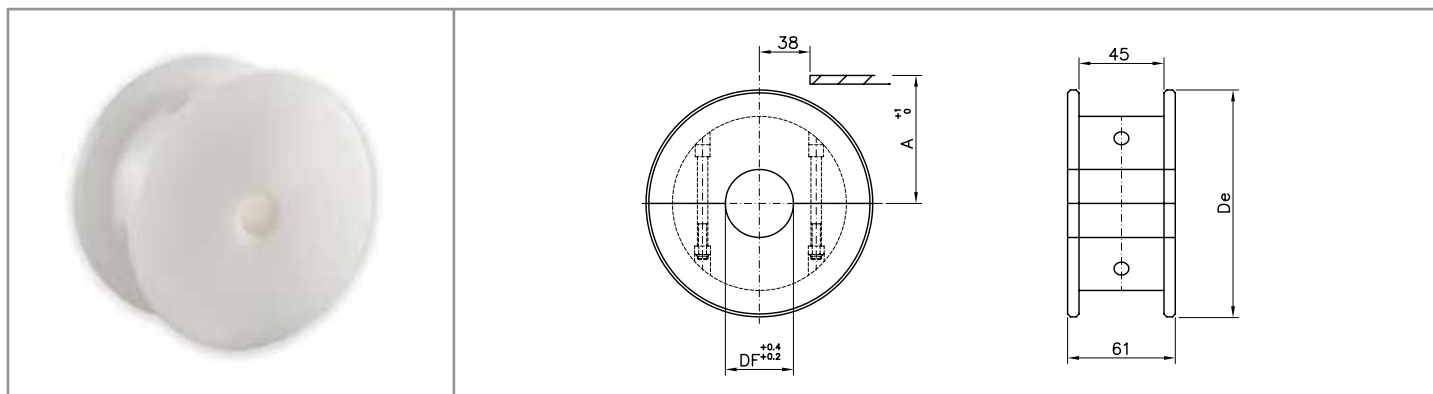
### Standard idler wheels

material: polyamide

DIMENSIONS				PRODUCT CODE			
Z	De	Dp	A	DF 25	DF 30	DF 35	DF 40
17	103.9	105.47	55.9	R01017 25	R01017 30	R01017 35	R01017 40
19	117.0	117.34	61.9	R01019 25	R01019 30	R01019 35	R01019 40
21	129.0	129.26	67.8	R01021 25	R01021 30	R01021 35	R01021 40
23	142.0	141.21	73.8	R01023 25	R01023 30	R01023 35	R01023 40
25	154.0	153.21	79.8	R01025 25	R01025 30	R01025 35	R01025 40
27	166.8	165.21	85.8	R01027 25	R01027 30	R01027 35	R01027 40
29	178.5	177.24	91.8	R01029 25	R01029 30	R01029 35	R01029 40

# machined idler wheels

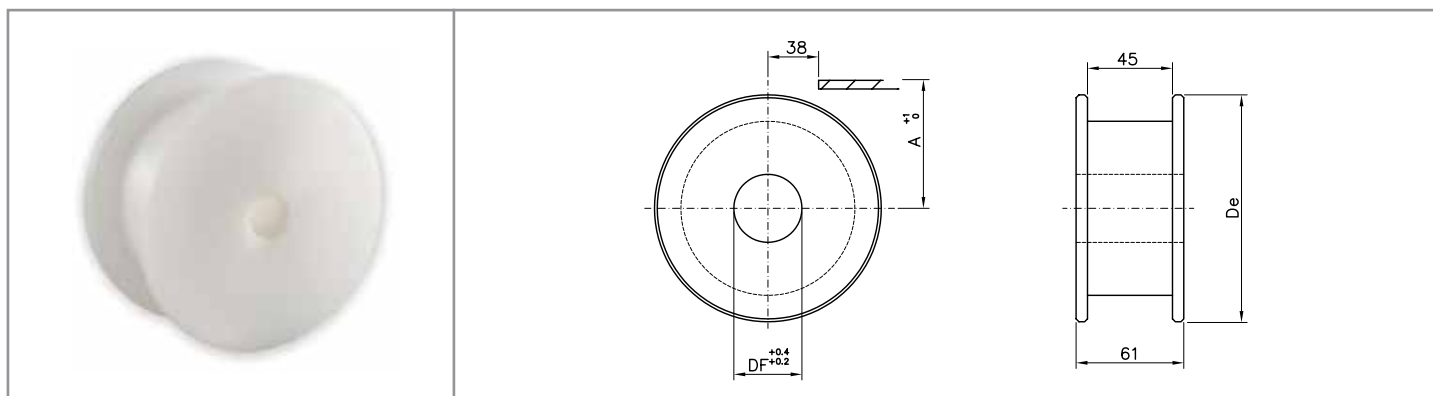
## 812 / 815 / 881 M SERIES



### Split idler wheels

material: polyamide - screws in stainless steel

DIMENSIONS			PRODUCT CODE				
Z eq.	De	A	DF 20	DF 25	DF 30	DF 35	DF 40
17	104.0	56.2	P11617 20	P11617 25	P11617 30	P11617 35	P11617 40
19	117.0	62.6	P11619 20	P11619 25	P11619 30	P11619 35	P11619 40
21	129.8	68.6	P11621 20	P11621 25	P11621 30	P11621 35	P11621 40
23	142.2	74.6	P11623 20	P11623 25	P11623 30	P11623 35	P11623 40
25	154.7	80.5	P11625 20	P11625 25	P11625 30	P11625 35	P11625 40
27	167.2	88.5	P11627 20	P11627 25	P11627 30	P11627 35	P11627 40
29	179.3	92.8	P11629 20	P11629 25	P11629 30	P11629 35	P11629 40



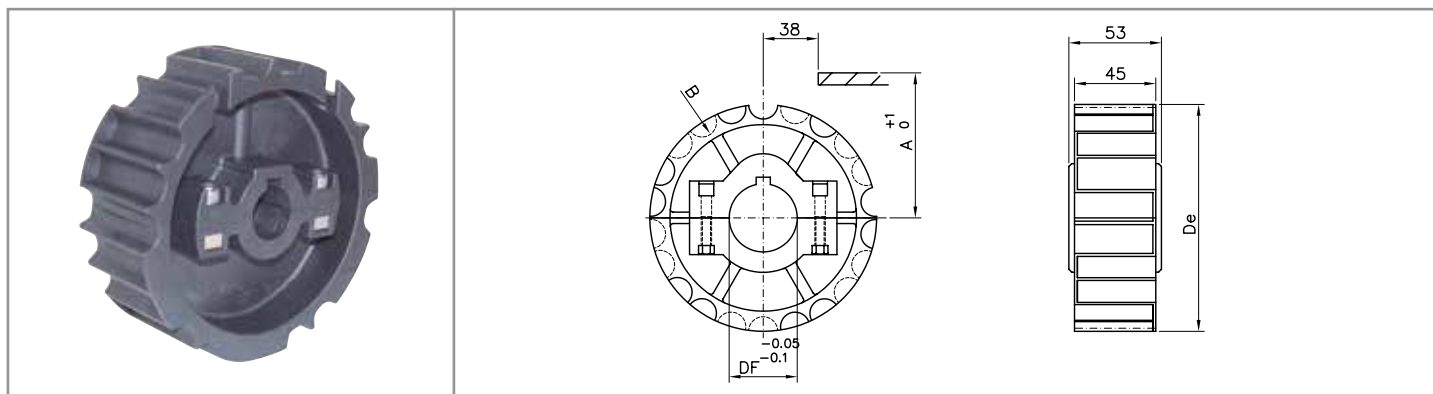
### Standard idler wheels

material: polyamide

DIMENSIONS			PRODUCT CODE				
Z eq.	De	A	DF 20	DF 25	DF 30	DF 35	DF 40
17	104.0	56.2	P01617 20	P01617 25	P01617 30	P01617 35	P01617 40
19	117.0	62.6	P01619 20	P01619 25	P01619 30	P01619 35	P01619 40
21	129.8	68.6	P01621 20	P01621 25	P01621 30	P01621 35	P01621 40
23	142.2	74.6	P01623 20	P01623 25	P01623 30	P01623 35	P01623 40
25	154.7	80.5	P01625 20	P01625 25	P01625 30	P01625 35	P01625 40
27	167.2	88.5	P01627 20	P01627 25	P01627 30	P01627 35	P01627 40
29	179.3	92.8	P01629 20	P01629 25	P01629 30	P01629 35	P01629 40

# injected sprockets and idler wheels

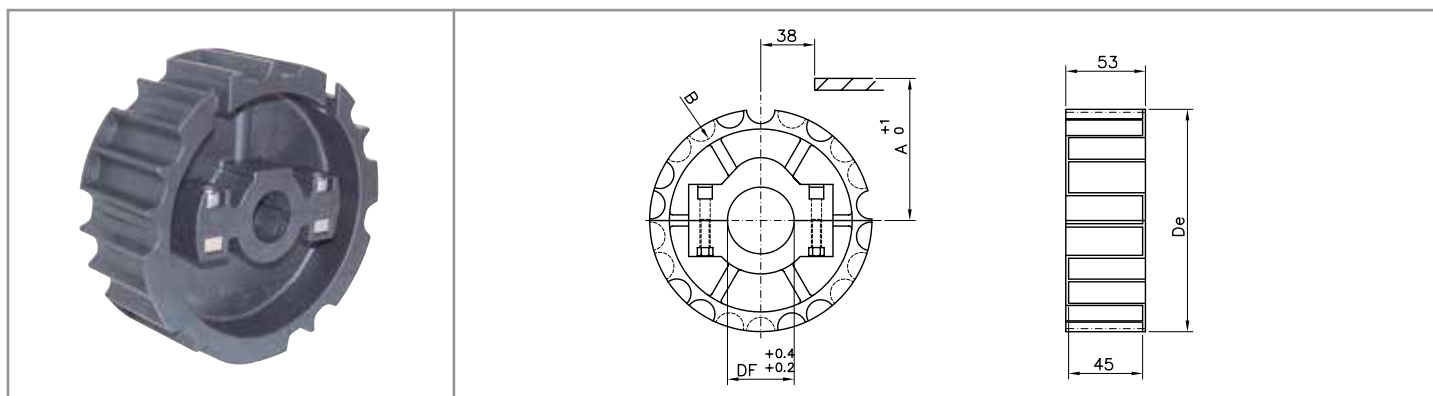
## 812 / 815 / 881 M SERIES



### Split sprockets

material: reinforced polyamide - screws in stainless steel, nuts in nickel plated brass - UNI 6604 - 69 key seat

DIMENSIONS				PRODUCT CODE				
Z	De	A	B	DF 25	DF 30	DF 35	DF 40	DF 45
21	129.0	67.8	116.1	S10021 25	S10021 30	S10021 35	S10021 40	S10021 45
23	142.0	73.8	128.1	S10023 25	S10023 30	S10023 35	S10023 40	S10023 45
25	154.0	79.8	140.1	S10025 25	S10025 30	S10025 35	S10025 40	S10025 45



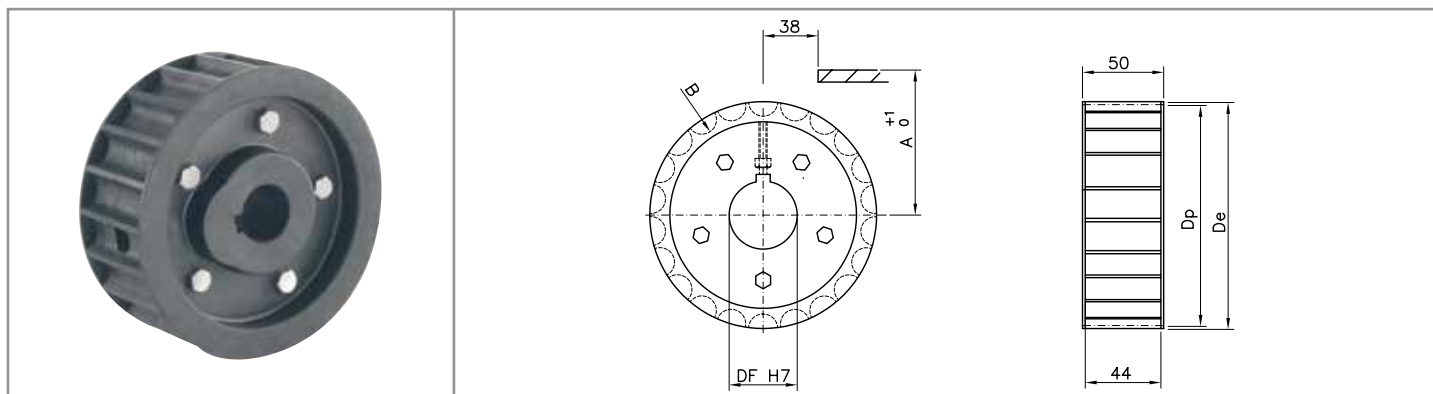
### Split idler wheels

material: polyamide - screws in stainless steel, nuts in nickel plated brass

DIMENSIONS				PRODUCT CODE				
Z	De	A	B	DF 25	DF 30	DF 35	DF 40	DF 45
21	129.0	67.8	116.1	R10021 25	R10021 30	R10021 35	R10021 40	R10021 45
23	142.0	73.8	128.1	R10023 25	R10023 30	R10023 35	R10023 40	R10023 45
25	154.0	79.8	140.1	R10025 25	R10025 30	R10025 35	R10025 40	R10025 45

# injected sprockets and idler wheels

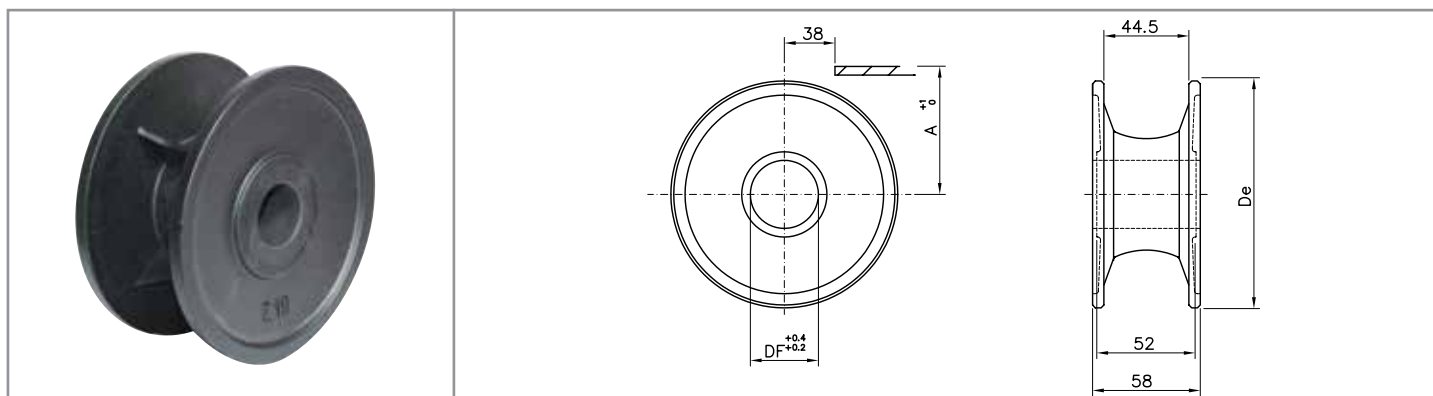
## 812 / 815 / 881 M SERIES



### Drive sprockets

material: reinforced polyamide - screws in stainless steel - UNI 6604 - 69 key seat

DIMENSIONS					PRODUCT CODE			
Z	De	Dp	A	B	DF 25	DF 30	DF 35	DF 40
15	92.2	93.67	/	/	S00015 25	S00015 30	/	/
17	104.7	105.48	/	/	S00017 25	S00017 30	/	/
19	117.0	117.34	61.9	104.2	S00019 25	S00019 30	S00019 35	S00019 40
21	129.0	129.26	67.8	116.1	S00021 25	S00021 30	S00021 35	S00021 40
23	142.0	141.21	73.8	128.1	S00023 25	S00023 30	S00023 35	S00023 40
25	154.0	153.21	79.8	140.1	S00025 25	S00025 30	S00025 35	S00025 40



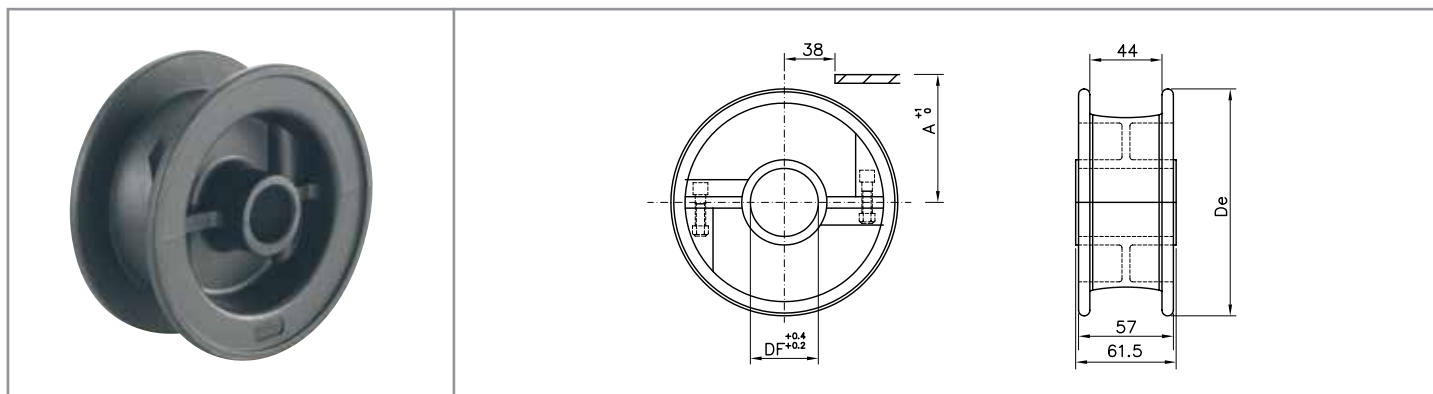
### Standard idler wheels reinforced series

material: self lubricating polyamide / colour: black

DIMENSIONS			PRODUCT CODE				
Z eq.	De	A	DF 20	DF 25	DF 30	DF 35	DF 40
15	95.5	92.0	/	P00615 25	P00615 30	/	/
17	106.5	57.0	/	P00617 25	P00617 30	/	/
18	113.0	92.0	/	P00618 25	P00618 30	/	/
19	117.0	62.6	P00619 20	P00619 25	P00619 30	P00619 35	P00619 40
21	129.8	68.6	P00621 20	P00621 25	P00621 30	P00621 35	P00621 40
23	142.2	74.6	P00623 20	P00623 25	P00623 30	P00623 35	P00623 40
25	154.7	80.5	P00625 20	P00625 25	P00625 30	P00625 35	P00625 40

# injected idler wheels

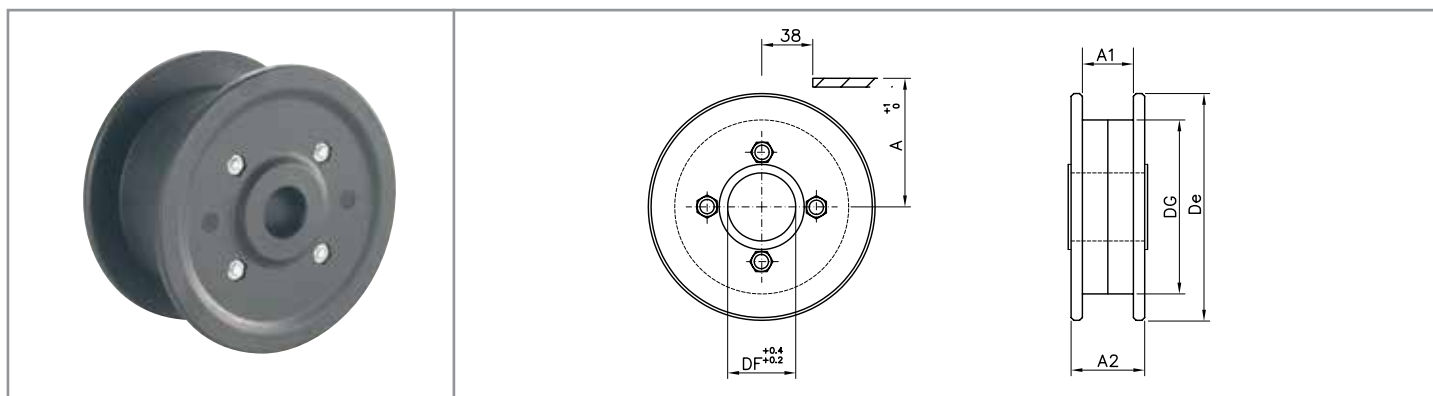
## 812 / 815 / 881 M SERIES



### Self lubricating split idler wheels

material: self lubricating polyamide - screws in stainless steel / colour: black

DIMENSIONS			PRODUCT CODE			
Z eq.	De	A	DF 25	DF 30	DF 35	DF 40
21	130	48.2	P10621 25	P10621 30	P10621 35	P10621 40
23	142.5	74.6	P10623 25	P10623 30	P10623 35	P10623 40
25	154.5	80.5	P10625 25	P10625 30	P10625 35	P10625 40



### Standard idler wheels reinforced series

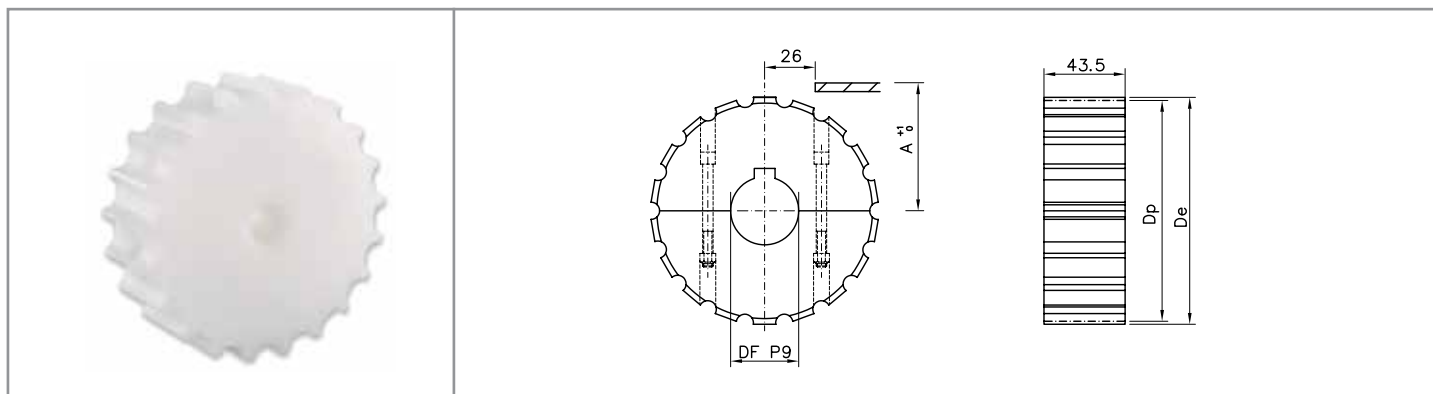
material: self lubricating polyamide / colour: black

DIMENSIONS						PRODUCT CODE				
Z eq.	De	DG	A	A1	A2	DF 25	DF 30	DF 35	DF 40	DF 45
15	90.0	58.0	48.2	48.0	83.0	/	K00615 30	K00615 35	K00615 40	K00615 45
17	106.0	71.0	56.2	44.0	52.0	K00617 25	K00617 30	/	/	/
19	118.0	80.0	62.6	44.0	60.0	K00619 25	K00619 30	K00619 35	K00619 40	/
21	129.8	80.0	68.6	44.0	60.0	K00621 25	K00621 30	K00621 35	K00621 40	/
23	142.5	108.0	74.6	44.0	60.0	K00623 25	K00623 30	K00623 35	K00623 40	/
25	155.0	108.0	80.5	44.0	60.0	K00625 25	K00625 30	K00625 35	K00625 40	/



# machined sprockets

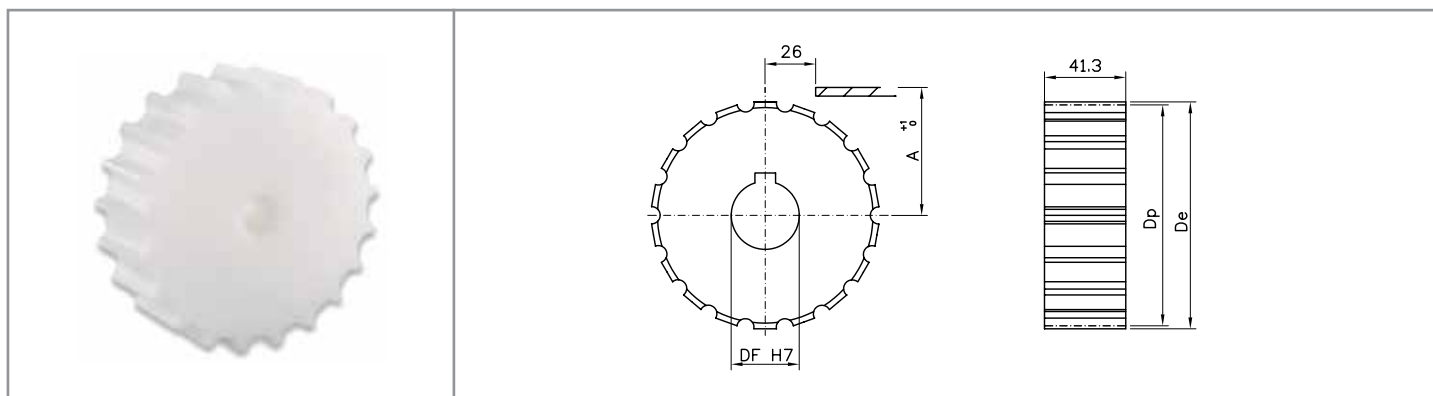
## 512 SERIES



### Split sprockets

material: polyamide - screws in stainless steel - nuts in zinc plated steel - UNI 6604 - 69 key seat

DIMENSIONS				PRODUCT CODE			
Z	De	Dp	A	DF 25	DF 30	DF 35	DF 40
13	106.1	108.0	57.2	S11513 25	S11513 30	S11513 35	S11513 40
15	122.2	124.0	65.2	S11515 25	S11515 30	S11515 35	S11515 40
17	138.2	138.2	72.3	S11517 25	S11517 30	S11517 35	S11517 40
18	146.4	146.3	76.4	S11518 25	S11518 30	S11518 35	S11518 40
19	155.7	154.3	80.4	S11519 25	S11519 30	S11519 35	S11519 40
21	173.0	170.4	88.4	S11521 25	S11521 30	S11521 35	S11521 40
23	190.0	186.5	96.5	S11523 25	S11523 30	S11523 35	S11523 40
25	204.0	202.7	104.6	S11525 25	S11525 30	S11525 35	S11525 40



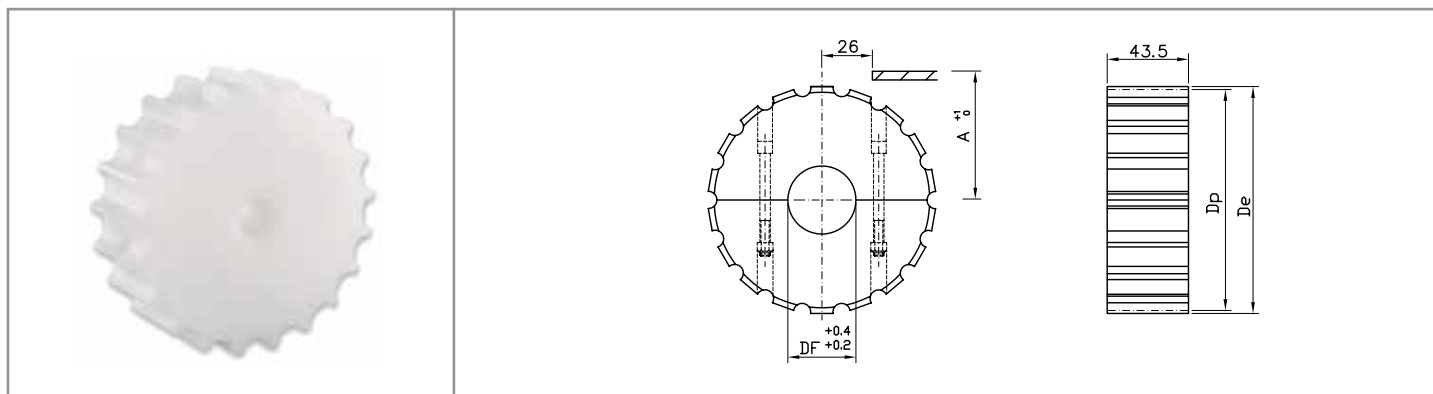
### Standard sprockets

material: polyamide - UNI 6604 - 69 key seat

DIMENSIONS				PRODUCT CODE			
Z	De	Dp	A	DF 25	DF 30	DF 35	DF 40
13	106.1	108.0	57.2	S01513 25	S01513 30	S01513 35	S01513 40
15	122.2	124.0	65.2	S01515 25	S01515 30	S01515 35	S01515 40
17	138.2	138.2	72.3	S01517 25	S01517 30	S01517 35	S01517 40
18	146.4	146.3	76.4	S01518 25	S01518 30	S01518 35	S01518 40
19	155.7	154.3	80.4	S01519 25	S01519 30	S01519 35	S01519 40
21	173.0	170.4	88.4	S01521 25	S01521 30	S01521 35	S01521 40
23	190.0	186.5	96.5	S01523 25	S01523 30	S01523 35	S01523 40
25	204.0	202.7	104.6	S01525 25	S01525 30	S01525 35	S01525 40

# machined idler wheels

## 512 SERIES

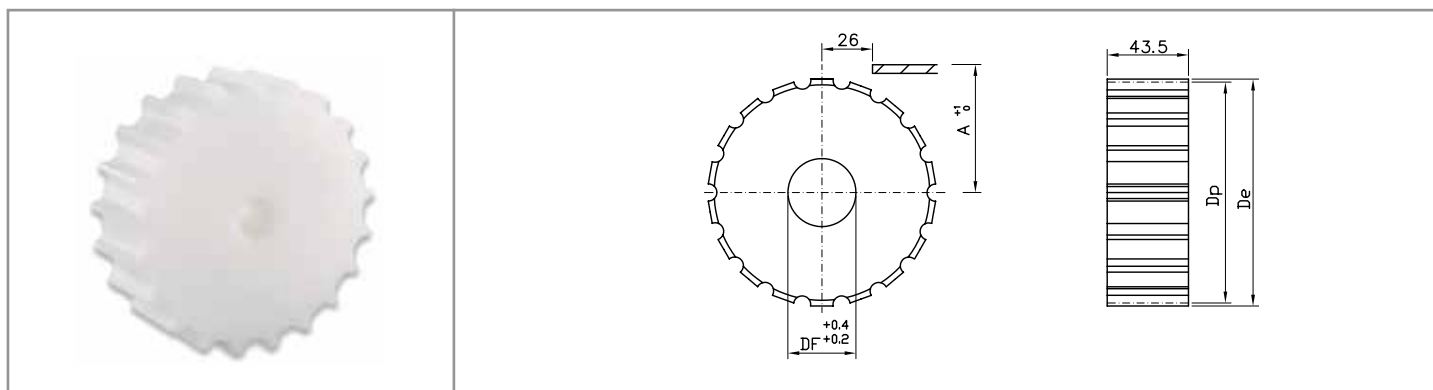


### Split idler wheels

material: polyamide - screws in stainless steel, nuts in zinc plated steel

DIMENSIONS				PRODUCT CODE				
Z	De	Dp	A	DF 18*	DF 25	DF 30	DF 35	DF 40
13	106.1	108.0	57.2	R11513 18	R11513 25	R11513 30	R11513 35	R11513 40
15	122.2	124.0	65.2	R11515 18	R11515 25	R11515 30	R11515 35	R11515 40
17	138.2	138.2	72.3	R11517 18	R11517 25	R11517 30	R11517 35	R11517 40
18	146.4	146.3	76.4	R11518 18	R11518 25	R11518 30	R11518 35	R11518 40
19	155.7	154.3	80.4	R11519 18	R11519 25	R11519 30	R11519 35	R11519 40
21	173.0	170.4	88.4	R11521 18	R11521 25	R11521 30	R11521 35	R11521 40
23	190.0	186.5	96.5	R11523 18	R11523 25	R11523 30	R11523 35	R11523 40
25	204.0	202.7	104.6	R11525 18	R11525 25	R11525 30	R11525 35	R11525 40

\* plain bore



### Standard idler wheels

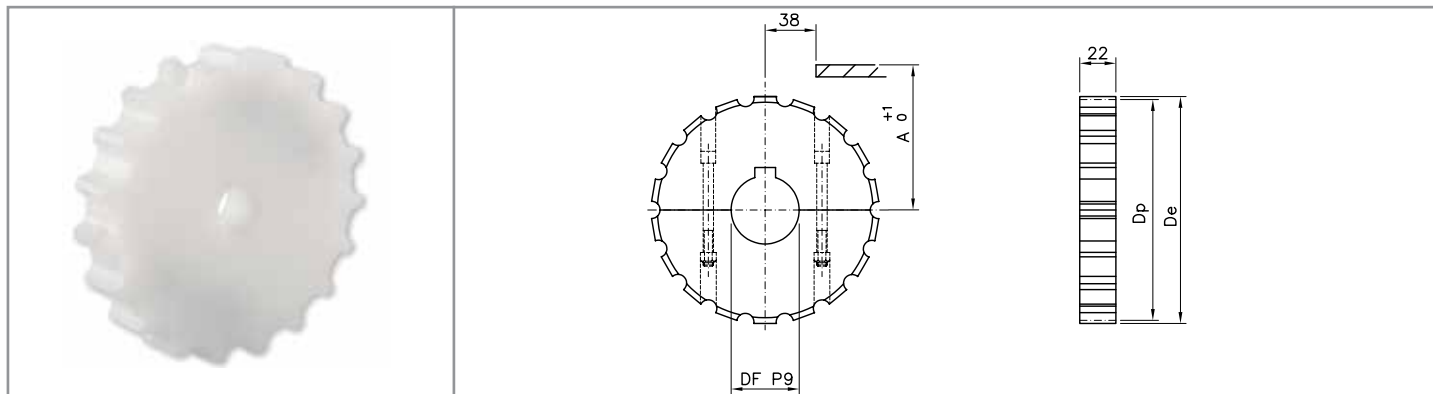
material: polyamide

DIMENSIONS				PRODUCT CODE				
Z	De	Dp	A	DF 18*	DF 25	DF 30	DF 35	DF 40
13	106.1	108.0	57.2	R01513 18	R01513 25	R01513 30	R01513 35	R01513 40
15	122.2	124.0	65.2	R01515 18	R01515 25	R01515 30	R01515 35	R01515 40
17	138.2	138.2	72.3	R01517 18	R01517 25	R01517 30	R01517 35	R01517 40
18	146.4	146.3	76.4	R01518 18	R01518 25	R01518 30	R01518 35	R01518 40
19	155.7	154.3	80.4	R01519 18	R01519 25	R01519 30	R01519 35	R01519 40
21	173.0	170.4	88.4	R01521 18	R01521 25	R01521 30	R01521 35	R01521 40
23	190.0	186.5	96.5	R01523 18	R01523 25	R01523 30	R01523 35	R01523 40
25	204.0	202.7	104.6	R01525 18	R01525 25	R01525 30	R01525 35	R01525 40

\* plain bore

# machined sprockets

## 815 MINI SERIES

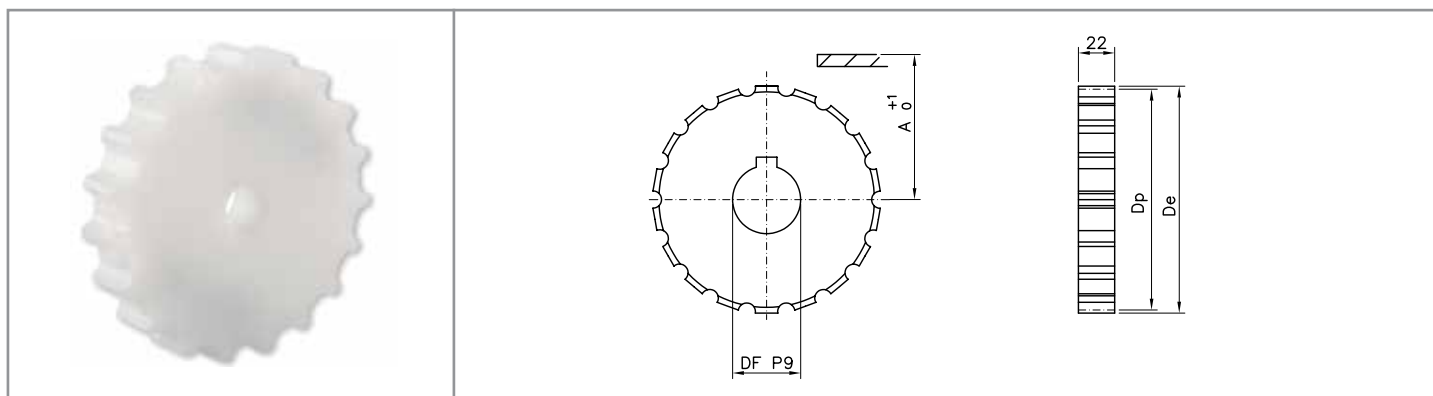


### Split sprockets

material: polyamide - screws in stainless steel - UNI 6604 - 69 key seat

DIMENSIONS				PRODUCT CODE				
Z	De	Dp	A	DF 18*	DF 25	DF 30	DF 35	DF 40
19	117.0	117.34	61.9	S11119 18	S11119 25	S11119 30	S11119 35	S11119 40
21	129.0	129.26	67.8	S11121 18	S11121 25	S11121 30	S11121 35	S11121 40
23	142.0	141.21	73.8	S11123 18	S11123 25	S11123 30	S11123 35	S11123 40
25	154.0	153.21	79.8	S11125 18	S11125 25	S11125 30	S11125 35	S11125 40

\* plain bore



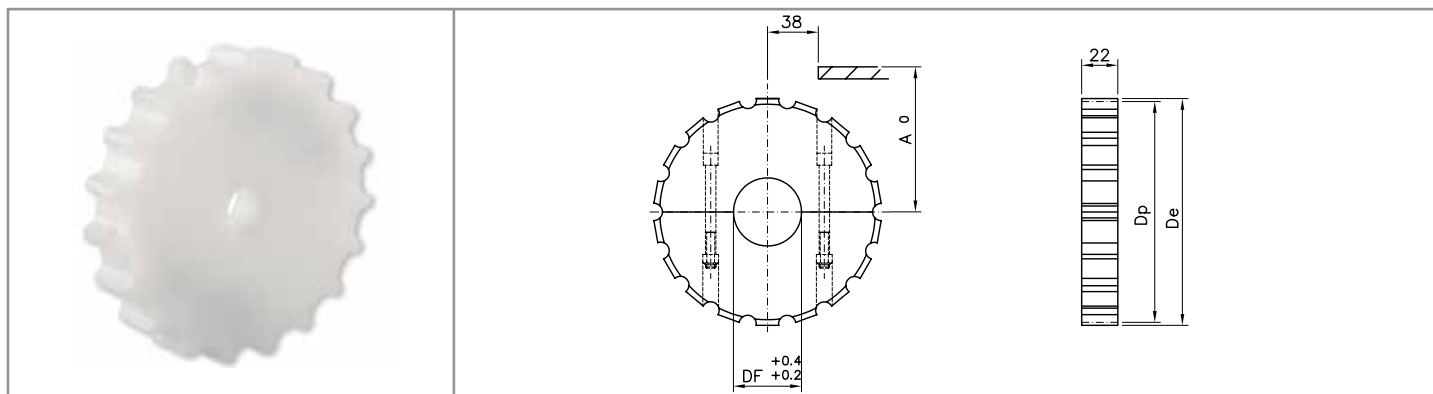
### Standard sprockets

material: polyamide - UNI 6604 - 69 key seat

DIMENSIONS				PRODUCT CODE			
Z	De	Dp	A	DF 25	DF 30	DF 35	DF 40
19	117.0	117.34	61.9	S01119 25	S01119 30	S01119 35	S01119 40
21	129.0	129.26	67.8	S01121 25	S01121 30	S01121 35	S01121 40
23	142.0	141.21	73.8	S01123 25	S01123 30	S01123 35	S01123 40
25	154.0	153.21	79.8	S01125 25	S01125 30	S01125 35	S01125 40

# machined idler wheels

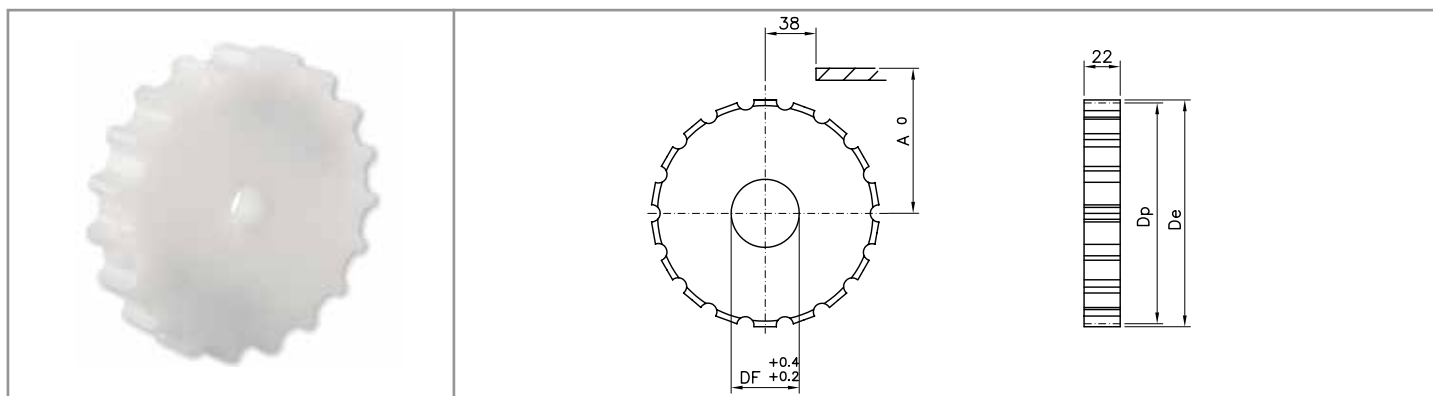
## 815 MINI SERIES



### Split idler wheels

material: polyamide - screws in stainless steel - UNI 6604 - 69 key seat

DIMENSIONS				PRODUCT CODE			
Z	De	Dp	A	DF 25	DF 30	DF 35	DF 40
19	117.0	117.34	61.9	R11119 25	R11119 30	R11119 35	R11119 40
21	129.0	129.26	67.8	R11121 25	R11121 30	R11121 35	R11121 40
23	142.0	141.21	73.8	R11123 25	R11123 30	R11123 35	R11123 40
25	154.0	153.21	79.8	R11125 25	R11125 30	R11125 35	R11125 40



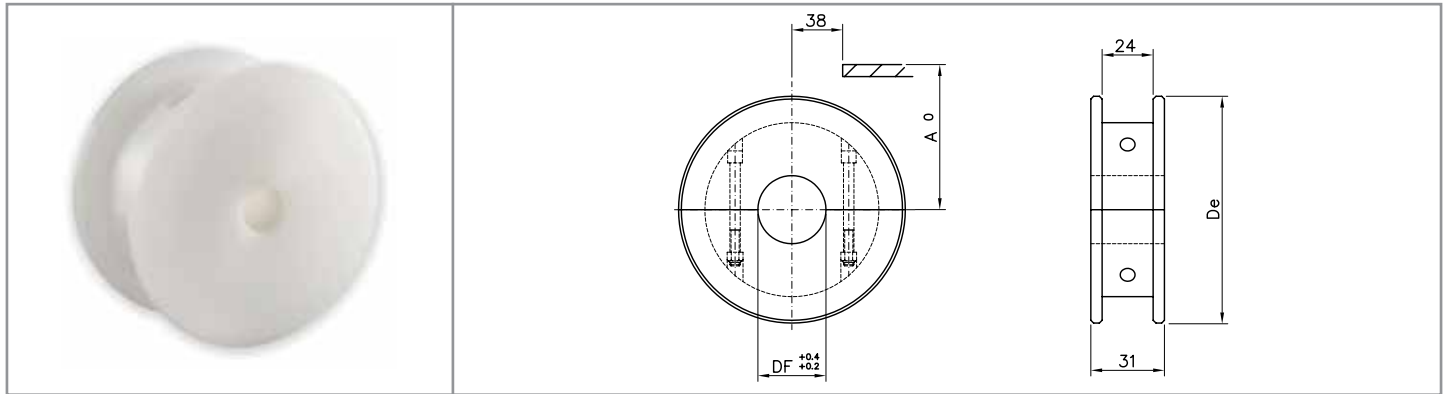
### Standard idler wheels

material: polyamide - UNI 6604 - 69 key seat

DIMENSIONS				PRODUCT CODE			
Z	De	Dp	A	DF 25	DF 30	DF 35	DF 40
19	117.0	117.34	61.9	R01119 25	R01119 30	R01119 35	R01119 40
21	129.0	129.26	67.8	R01121 25	R01121 30	R01121 35	R01121 40
23	142.0	141.21	73.8	R01123 25	R01123 30	R01123 35	R01123 40
25	154.0	153.21	79.8	R01125 25	R01125 30	R01125 35	R01125 40

# machined idler wheels

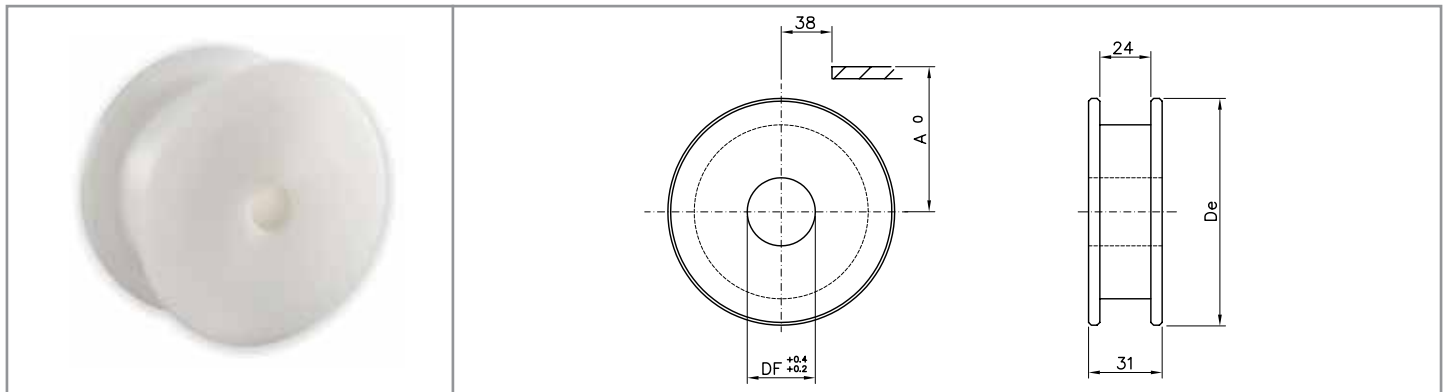
## 815 MINI SERIES



### Split idler wheels

material: polyamide - screws in stainless steel

DIMENSIONS			PRODUCT CODE				
Z eq.	De	A	DF 20	DF 25	DF 30	DF 35	DF 40
19	117.0	62.6	P11119 20	P11119 25	P11119 30	P11119 35	P11119 40
21	129.8	68.6	P11121 20	P11121 25	P11121 30	P11121 35	P11121 40
23	142.2	74.6	P11123 20	P11123 25	P11123 30	P11123 35	P11123 40
25	154.7	80.5	P11125 20	P11125 25	P11125 30	P11125 35	P11125 40



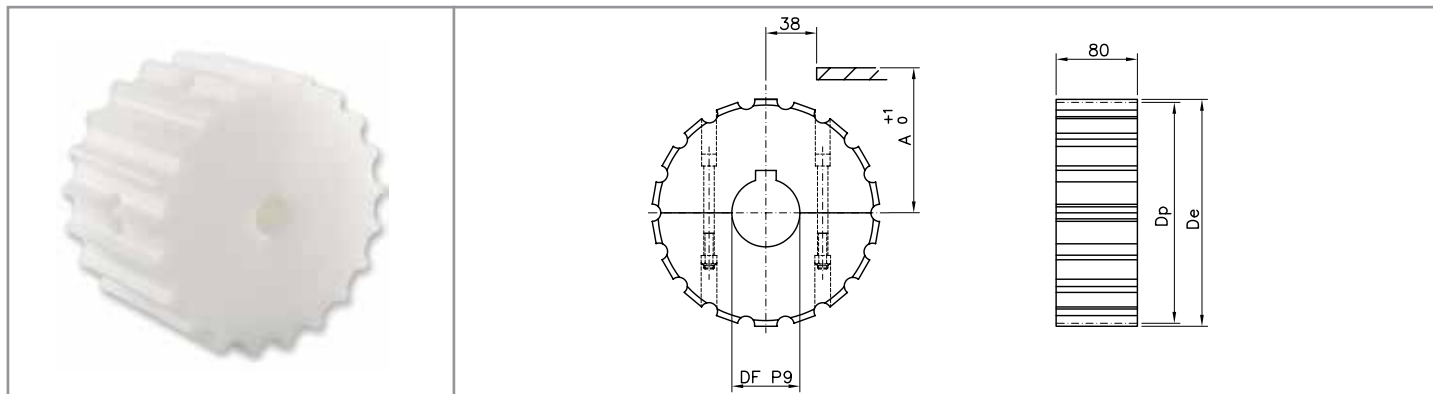
### Standard idler wheels

material: polyamide

DIMENSIONS			PRODUCT CODE				
Z eq.	De	A	DF 20	DF 25	DF 30	DF 35	DF 40
19	117.0	62.6	P01119 20	P01119 25	P01119 30	P01119 35	P01119 40
21	129.8	68.6	P01121 20	P01121 25	P01121 30	P01121 35	P01121 40
23	142.2	74.6	P01123 20	P01123 25	P01123 30	P01123 35	P01123 40
25	154.7	80.5	P01125 20	P01125 25	P01125 30	P01125 35	P01125 40

# machined sprockets

## 802 / 804 / 805 SERIES

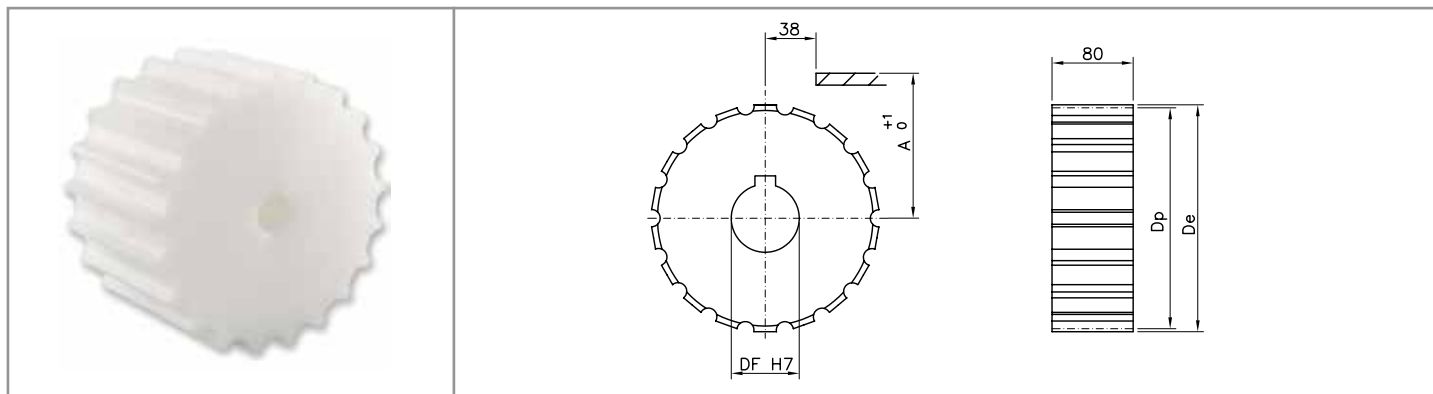


### Split sprockets

material: polyamide - screws in stainless steel - UNI 6604-69 key seat

DIMENSIONS				PRODUCT CODE				
Z	De	Dp	A	DF 18*	DF 25	DF 30	DF 35	DF 40
19	117.0	117.34	61.9	S11719 18	S11719 25	S11719 30	S11719 35	S11719 40
21	129.0	129.26	67.8	S11721 18	S11721 25	S11721 30	S11721 35	S11721 40
23	142.0	141.21	73.8	S11723 18	S11723 25	S11723 30	S11723 35	S11723 40
25	154.0	153.21	79.8	S11725 18	S11725 25	S11725 30	S11725 35	S11725 40
27	166.8	165.20	85.8	S11727 18	S11727 25	S11727 30	S11727 35	S11727 40
29	178.5	177.24	91.8	S11729 18	S11729 25	S11729 30	S11729 35	S11729 40

\* plain bore



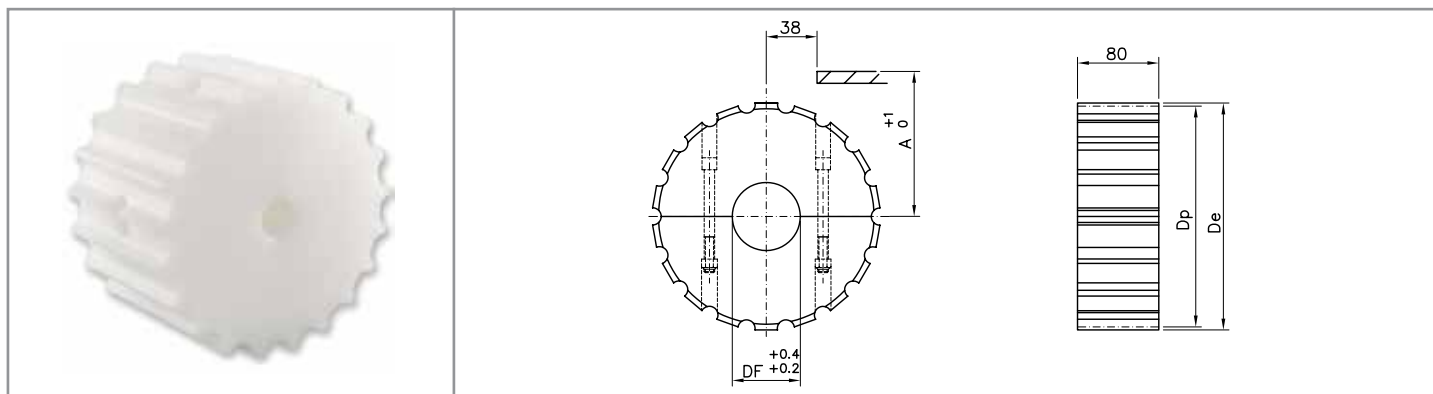
### Standard sprockets

material: polyamide - UNI 6604-69 key seat

DIMENSIONS				PRODUCT CODE			
Z	De	Dp	A	DF 25	DF 30	DF 35	DF 40
19	117.0	117.34	61.9	S01719 25	S01719 30	S01719 35	S01719 40
21	129.0	129.26	67.8	S01721 25	S01721 30	S01721 35	S01721 40
23	142.0	141.21	73.8	S01723 25	S01723 30	S01723 35	S01723 40
25	154.0	153.21	79.8	S01725 25	S01725 30	S01725 35	S01725 40
27	166.8	165.20	85.8	S01727 25	S01727 30	S01727 35	S01727 40
29	178.5	177.24	91.8	S01729 25	S01729 30	S01729 35	S01729 40

# machined idler wheels

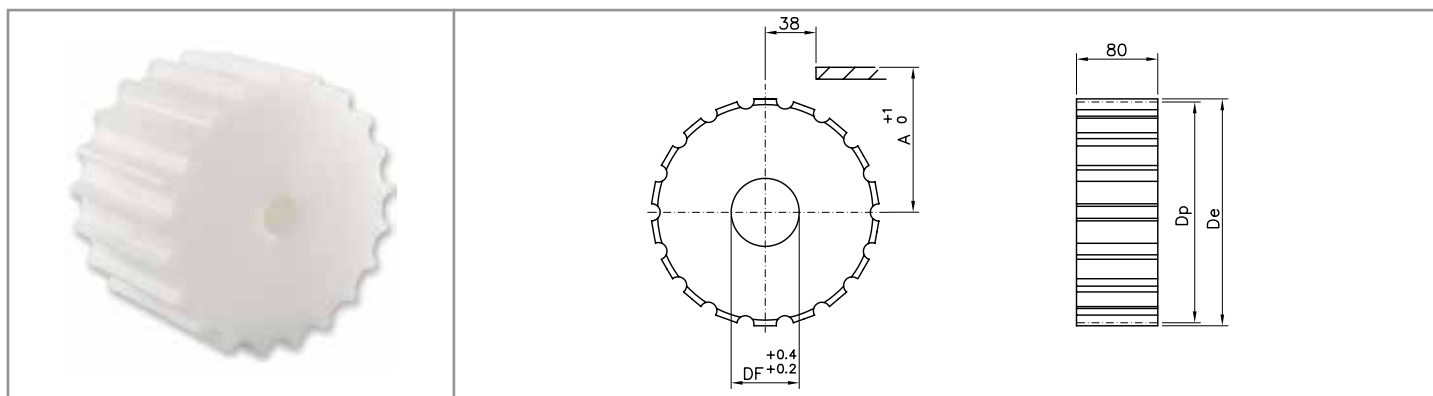
## 802 / 804 / 805 SERIES



### Split idler wheels

material: polyamide - screws in stainless steel

DIMENSIONS				PRODUCT CODE			
Z	De	Dp	A	DF 25	DF 30	DF 35	DF 40
19	117.0	117.34	61.9	R11719 25	R11719 30	R11719 35	R11719 40
21	129.0	129.26	67.8	R11721 25	R11721 30	R11721 35	R11721 40
23	142.0	141.21	73.8	R11723 25	R11723 30	R11723 35	R11723 40
25	154.0	153.21	79.8	R11725 25	R11725 30	R11725 35	R11725 40
27	166.8	165.20	85.8	R11727 25	R11727 30	R11727 35	R11727 40
29	178.5	177.24	91.8	R11729 25	R11729 30	R11729 35	R11729 40



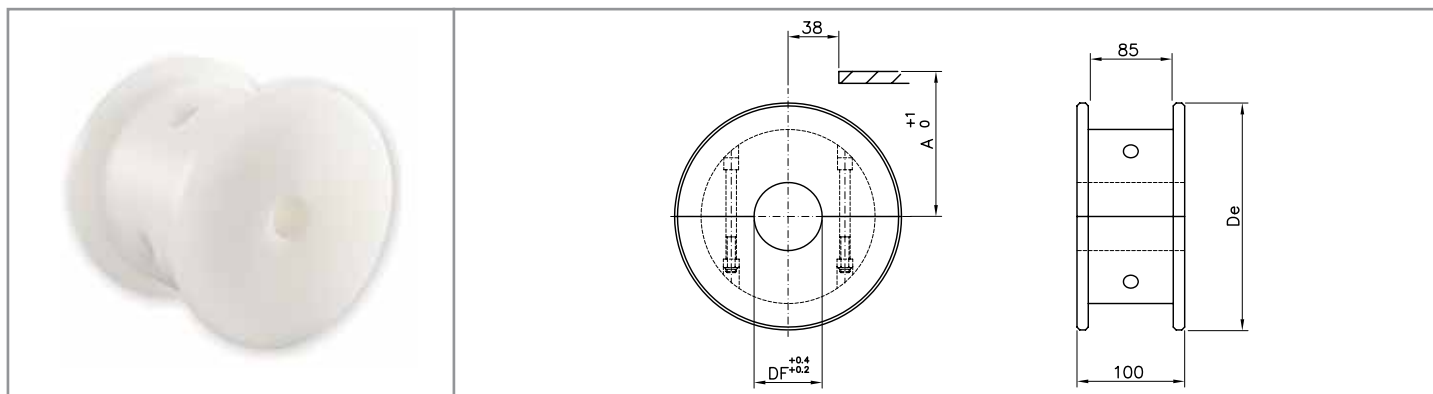
### Standard idler wheels

material: polyamide

DIMENSIONS				PRODUCT CODE			
Z	De	Dp	A	DF 25	DF 30	DF 35	DF 40
19	117.0	117.34	61.9	R01719 25	R01719 30	R01719 35	R01719 40
21	129.0	129.26	67.8	R01721 25	R01721 30	R01721 35	R01721 40
23	142.0	141.21	73.8	R01723 25	R01723 30	R01723 35	R01723 40
25	154.0	153.21	79.8	R01725 25	R01725 30	R01725 35	R01725 40
27	166.8	165.20	85.8	R01727 25	R01727 30	R01727 35	R01727 40
29	178.5	177.24	91.8	R01729 25	R01729 30	R01729 35	R01729 40

# machined idler wheels

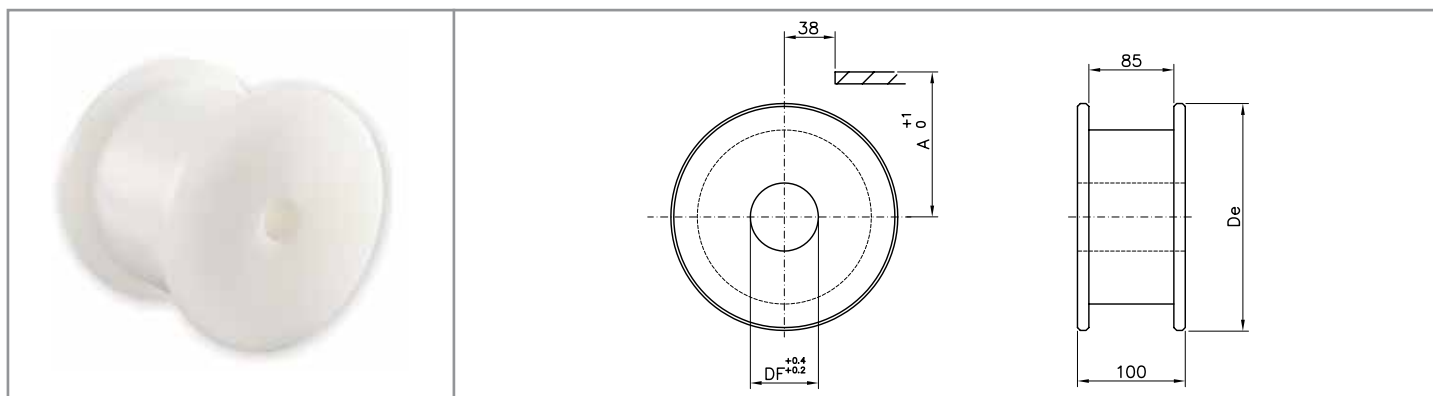
## 802 / 805 SERIES



### Split idler wheels

material: polyamide - screws in stainless steel

DIMENSIONS			PRODUCT CODE				
Z eq.	De	A	DF 20	DF 25	DF 30	DF 35	DF 40
19	117.0	62.6	P11219 20	P11219 25	P11219 30	P11219 35	P11219 40
21	129.8	68.6	P11221 20	P11221 25	P11221 30	P11221 35	P11221 40
23	142.2	74.6	P11223 20	P11223 25	P11223 30	P11223 35	P11223 40
25	154.7	80.5	P11225 20	P11225 25	P11225 30	P11225 35	P11225 40
27	167.2	88.5	P11227 20	P11227 25	P11227 30	P11227 35	P11227 40
29	179.3	92.8	P11229 20	P11229 25	P11229 30	P11229 35	P11229 40



### Standard idler wheels

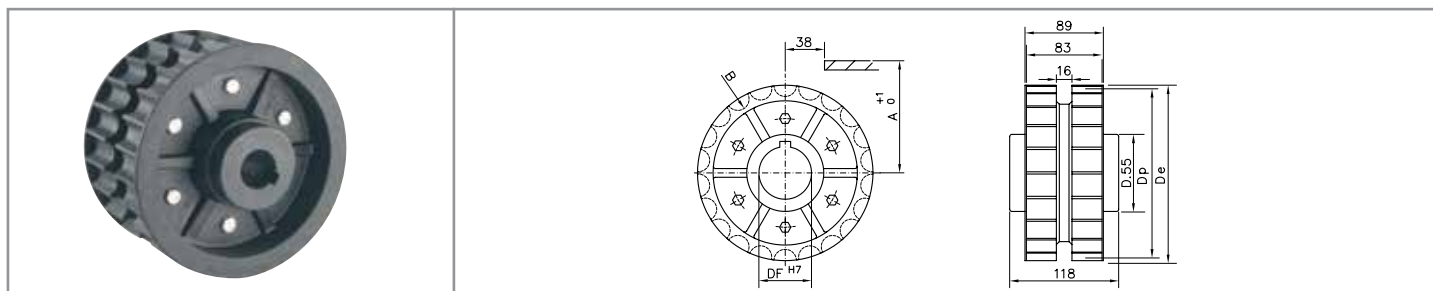
material: polyamide

DIMENSIONS			PRODUCT CODE				
Z eq.	De	A	DF 20	DF 25	DF 30	DF 35	DF 40
19	117.0	62.6	P01219 20	P01219 25	P01219 30	P01219 35	P01219 40
21	129.8	68.6	P01221 20	P01221 25	P01221 30	P01221 35	P01221 40
23	142.2	74.6	P01223 20	P01223 25	P01223 30	P01223 35	P01223 40
25	154.7	80.5	P01225 20	P01225 25	P01225 30	P01225 35	P01225 40
27	167.2	88.5	P01227 20	P01227 25	P01227 30	P01227 35	P01227 40
29	179.3	92.8	P01229 20	P01229 25	P01229 30	P01229 35	P01229 40



# injected sprockets and idler wheels

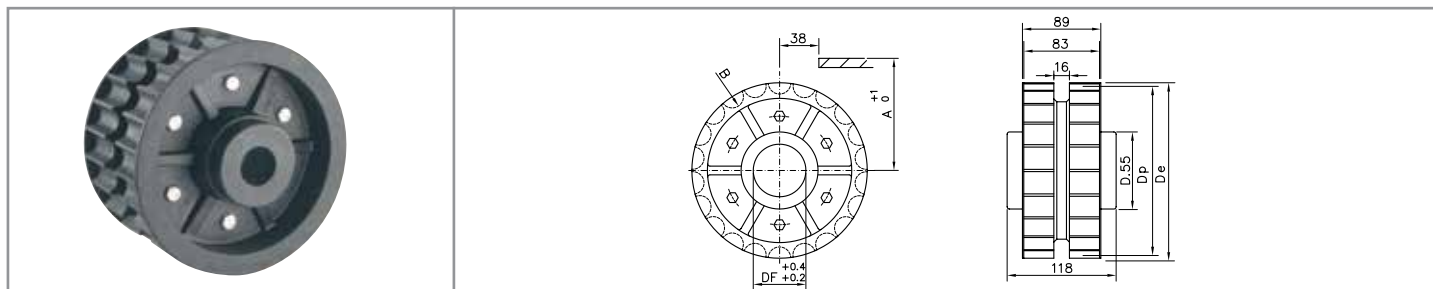
## 802 / 805 SERIES



### Drive sprockets

material: reinforced polyamide - screws in stainless steel - UNI 6604-69 key seat

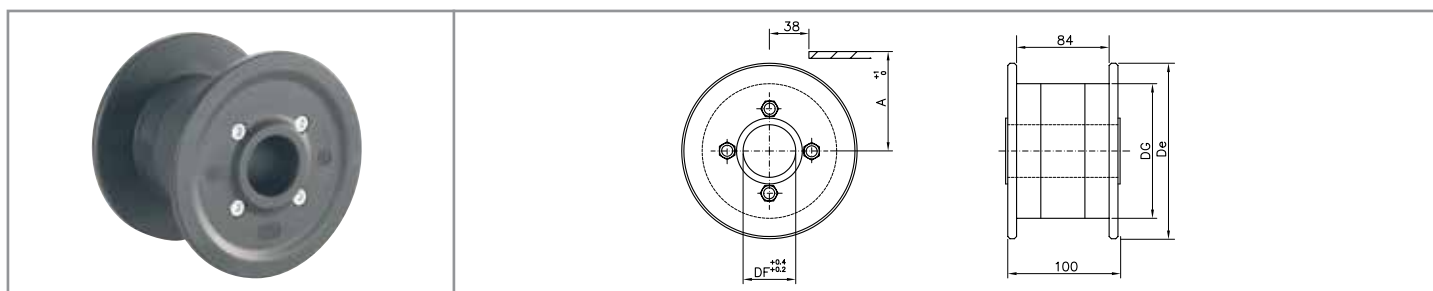
DIMENSIONS					PRODUCT CODE			
Z	De	Dp	A	B	DF 25	DF 30	DF 35	DF 40
25	154.0	153.2	79.8	140.1	S00225 25	S00225 30	S00225 35	S00225 40



### Standard idler wheels

material: polyamide - screws in stainless steel

DIMENSIONS					PRODUCT CODE			
Z	De	Dp	A	B	DF 25	DF 30	DF 35	DF 40
25	154.0	153.2	79.8	140.1	R00225 25	R00225 30	R00225 35	R00225 40



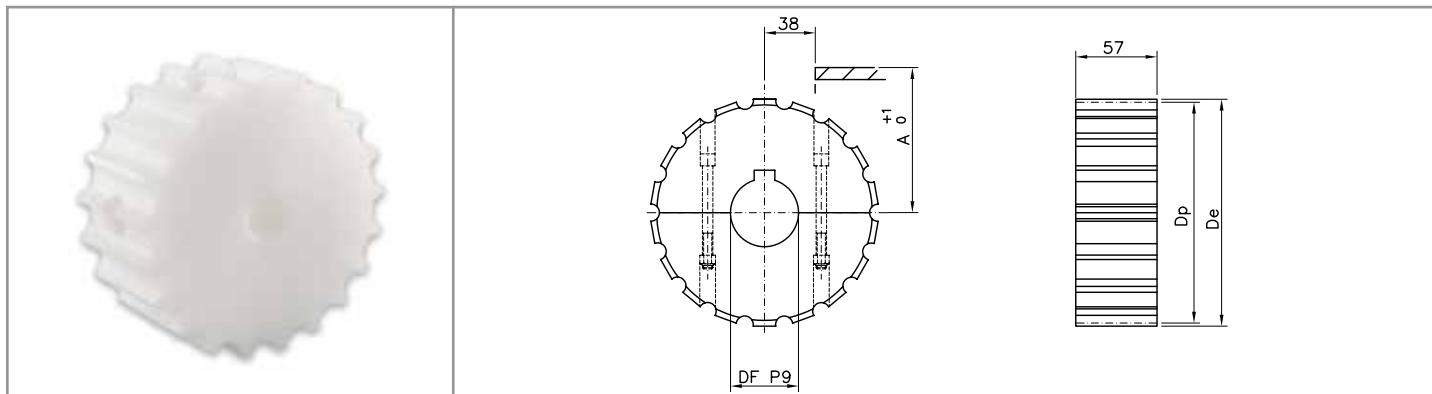
### Self-lubricating standard idler wheels

material: self-lubricating polyamide - screws in zinc plated steel / colour: black

DIMENSIONS				PRODUCT CODE			
Z eq.	De	DG	A	DF 25	DF 30	DF 35	DF 40
19	118.0	80.0	62.6	K00219 25	K00219 30	K00219 35	K00219 40
21	129.8	80.0	68.6	K00221 25	K00221 30	K00221 35	K00221 40
23	142.5	108.0	74.6	K00223 25	K00223 30	K00223 35	K00223 40
25	155.0	108.0	80.5	K00225 25	K00225 30	K00225 35	K00225 40

# machined sprockets

## 8127 / 8817 M SERIES

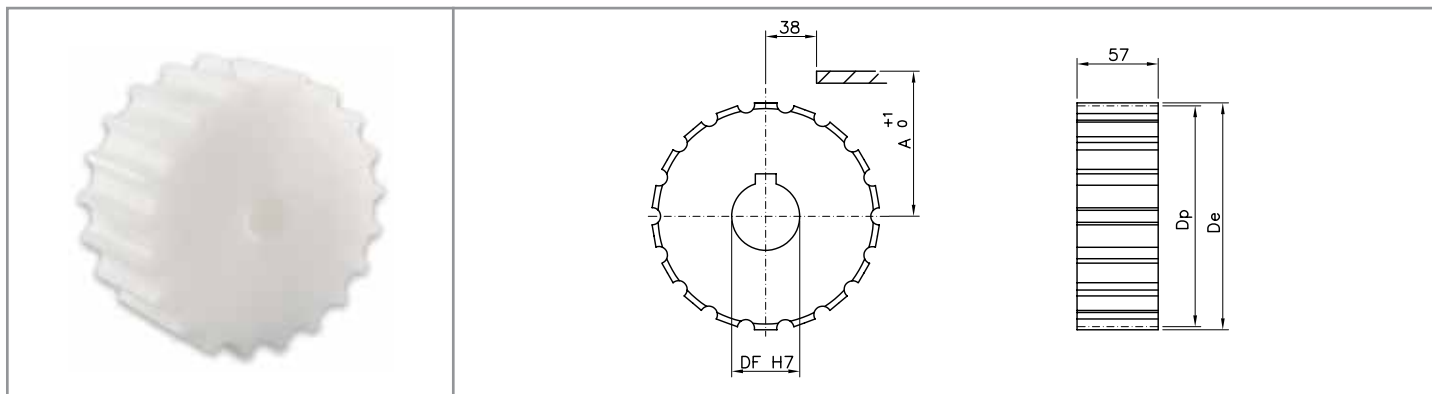


### Split sprockets

material: polyamide - screws in stainless steel - UNI 6604 - 69 key seat

DIMENSIONS				PRODUCT CODE				
Z	De	Dp	A	DF 18*	DF 25	DF 30	DF 35	DF 40
17	103.9	105.47	55.9	S11317 18	S11317 25	S11317 30	S11317 35	S11317 40
19	117.0	117.34	61.9	S11319 18	S11319 25	S11319 30	S11319 35	S11319 40
21	129.0	129.26	67.8	S11321 18	S11321 25	S11321 30	S11321 35	S11321 40
23	142.0	141.21	73.8	S11323 18	S11323 25	S11323 30	S11323 35	S11323 40
25	154.0	153.21	79.8	S11325 18	S11325 25	S11325 30	S11325 35	S11325 40
27	166.8	165.20	85.8	S11327 18	S11327 25	S11327 30	S11327 35	S11327 40
29	178.5	177.24	91.8	S11329 18	S11329 25	S11329 30	S11329 35	S11329 40

\* plain bore



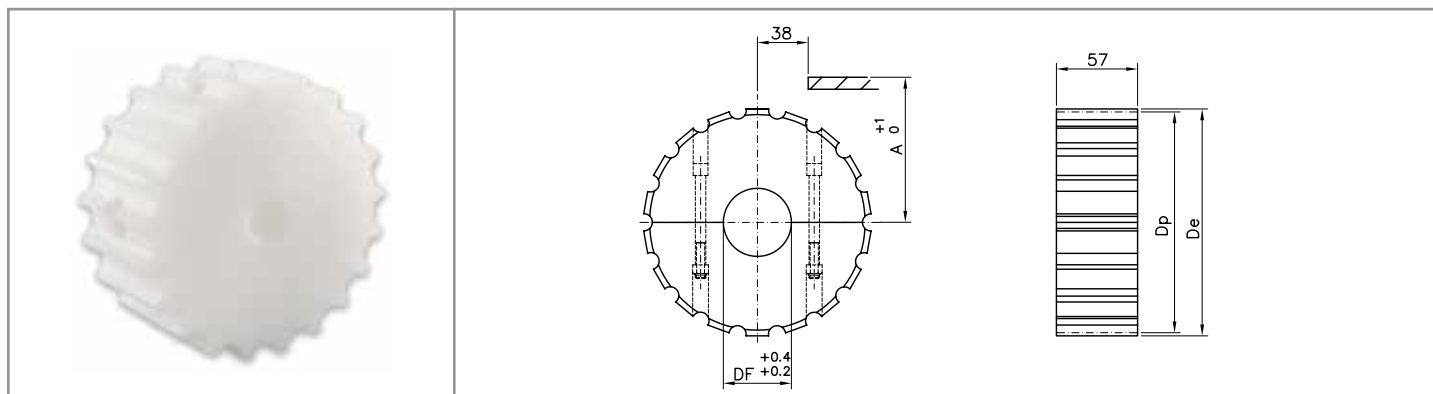
### Standard sprockets

material: polyamide - UNI 6604-69 key seat

DIMENSIONS				PRODUCT CODE			
Z	De	Dp	A	DF 25	DF 30	DF 35	DF 40
17	103.9	105.47	55.9	S01317 25	S01317 30	S01317 35	S01317 40
19	117.0	117.34	61.9	S01319 25	S01319 30	S01319 35	S01319 40
21	129.0	129.26	67.8	S01321 25	S01321 30	S01321 35	S01321 40
23	142.0	141.21	73.8	S01323 25	S01323 30	S01323 35	S01323 40
25	154.0	153.21	79.8	S01325 25	S01325 30	S01325 35	S01325 40
27	166.8	165.20	85.8	S01327 25	S01327 30	S01327 35	S01327 40
29	178.5	177.24	91.8	S01329 25	S01329 30	S01329 35	S01329 40

# machined idler wheels

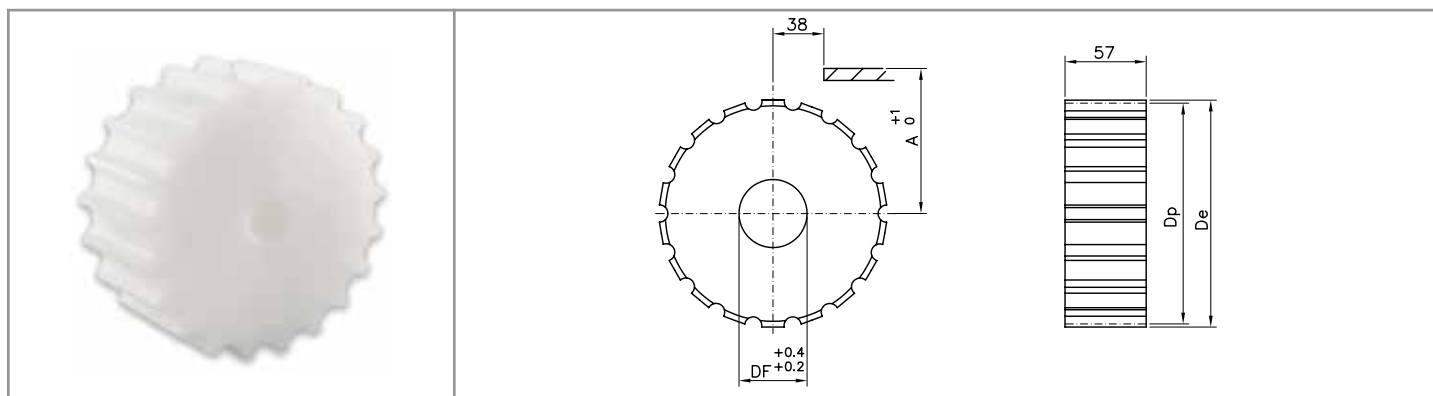
## 8127 / 8817 M SERIES



### Split idler wheels

material: polyamide - screws in stainless steel

DIMENSIONS				PRODUCT CODE			
Z	De	Dp	A	DF 25	DF 30	DF 35	DF 40
17	103.9	105.47	55.9	R11317 25	R11317 30	R11317 35	R11317 40
19	117.0	117.34	61.9	R11319 25	R11319 30	R11319 35	R11319 40
21	129.0	129.26	67.8	R11321 25	R11321 30	R11321 35	R11321 40
23	142.0	141.21	73.8	R11323 25	R11323 30	R11323 35	R11323 40
25	154.0	153.21	79.8	R11325 25	R11325 30	R11325 35	R11325 40
27	166.8	165.20	85.8	R11327 25	R11327 30	R11327 35	R11327 40
29	178.5	177.24	91.8	R11329 25	R11329 30	R11329 35	R11329 40



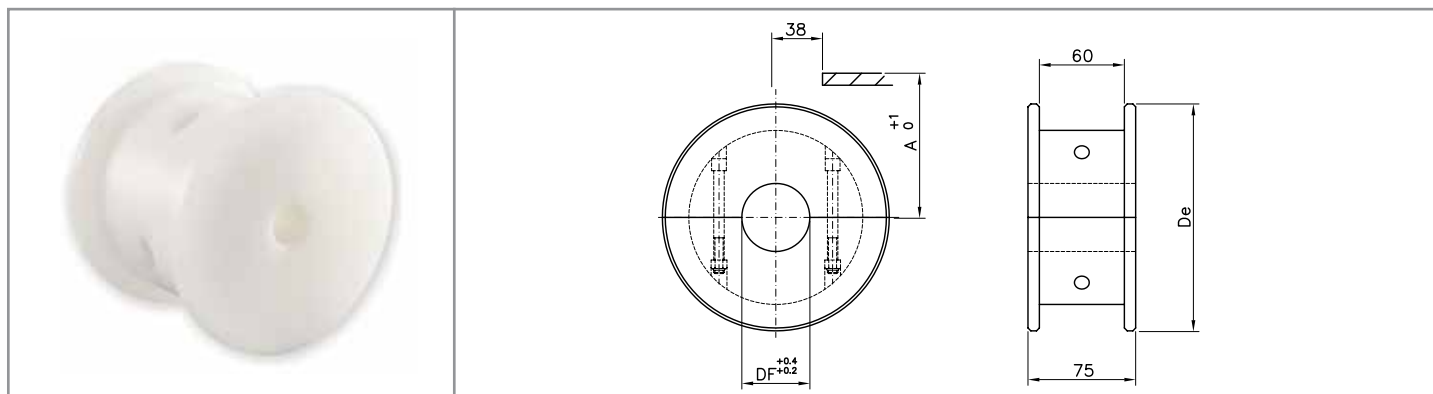
### Standard idler wheels

material: polyamide

DIMENSIONS				PRODUCT CODE			
Z	De	Dp	A	DF 25	DF 30	DF 35	DF 40
17	103.9	105.47	55.9	R01317 25	R01317 30	R01317 35	R01317 40
19	117.0	117.34	61.9	R01319 25	R01319 30	R01319 35	R01319 40
21	129.0	129.26	67.8	R01321 25	R01321 30	R01321 35	R01321 40
23	142.0	141.21	73.8	R01323 25	R01323 30	R01323 35	R01323 40
25	154.0	153.21	79.8	R01325 25	R01325 30	R01325 35	R01325 40
27	166.8	165.20	85.8	R01327 25	R01327 30	R01327 35	R01327 40
29	178.5	177.24	91.8	R01329 25	R01329 30	R01329 35	R01329 40

# machined idler wheels

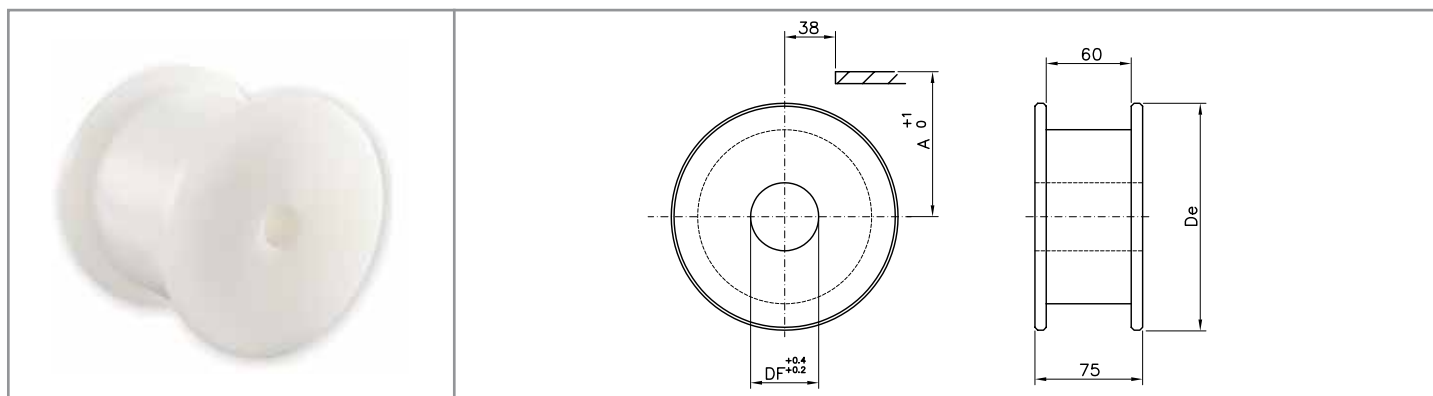
## 8127 / 8817 M SERIES



### Split idler wheels

material: polyamide - screws in stainless steel

DIMENSIONS			PRODUCT CODE				
Z eq.	De	A	DF 20	DF 25	DF 30	DF 35	DF 40
17	104.0	56.2	P11417 20	P11417 25	P11417 30	P11417 35	P11417 40
19	117.0	62.6	P11419 20	P11419 25	P11419 30	P11419 35	P11419 40
21	129.8	68.6	P11421 20	P11421 25	P11421 30	P11421 35	P11421 40
23	142.2	74.6	P11423 20	P11423 25	P11423 30	P11423 35	P11423 40
25	154.7	80.5	P11425 20	P11425 25	P11425 30	P11425 35	P11425 40
27	167.2	88.5	P11427 20	P11427 25	P11427 30	P11427 35	P11427 40
29	179.3	92.8	P11429 20	P11429 25	P11429 30	P11429 35	P11429 40



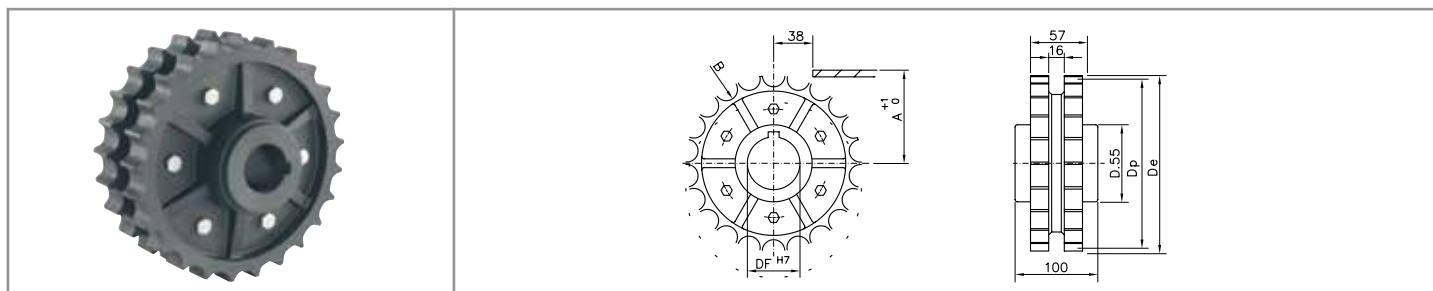
### Standard idler wheels

material: polyamide

DIMENSIONS			PRODUCT CODE				
Z eq.	De	A	DF 20	DF 25	DF 30	DF 35	DF 40
17	104.0	56.2	P01417 20	P01417 25	P01417 30	P01417 35	P01417 40
19	117.0	62.6	P01419 20	P01419 25	P01419 30	P01419 35	P01419 40
21	129.8	68.6	P01421 20	P01421 25	P01421 30	P01421 35	P01421 40
23	142.2	74.6	P01423 20	P01423 25	P01423 30	P01423 35	P01423 40
25	154.7	80.5	P01425 20	P01425 25	P01425 30	P01425 35	P01425 40
27	167.2	88.5	P01427 20	P01427 25	P01427 30	P01427 35	P01427 40
29	179.3	92.8	P01429 20	P01429 25	P01429 30	P01429 35	P01429 40

# injected sprockets and idler wheels

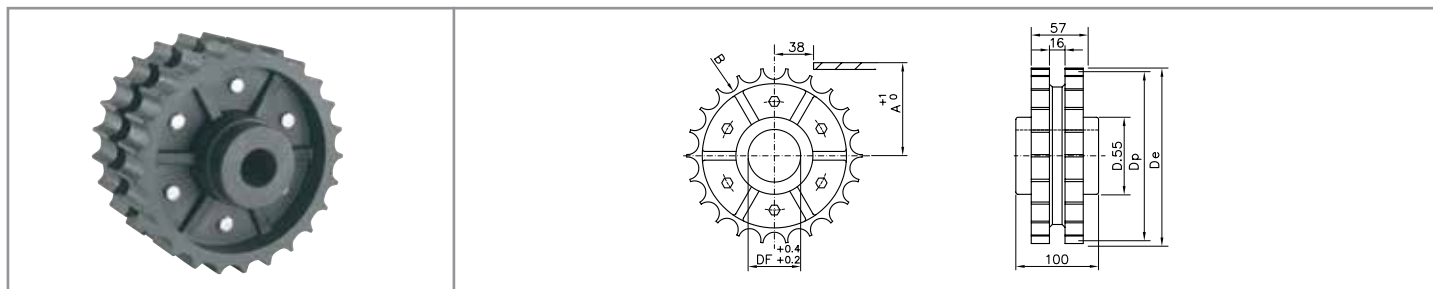
## 8127 / 8817 M SERIES



### Drive sprockets

material: reinforced polyamide - screws in stainless steel

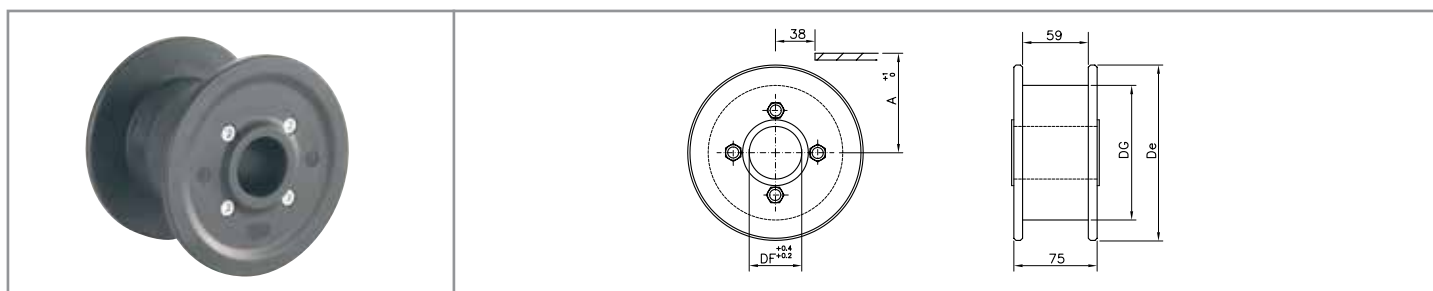
DIMENSIONS					PRODUCT CODE			
Z	De	Dp	A	B	DF 25	DF 30	DF 35	DF 40
25	154.0	153.2	79.8	140.1	S00325 25	S00325 30	S00325 35	S00325 40



### Standard idler wheels

material: polyamide - screws in stainless steel

DIMENSIONS					PRODUCT CODE			
Z	De	Dp	A	B	DF 25	DF 30	DF 35	DF 40
25	154.0	153.2	79.8	140.1	R00325 25	R00325 30	R00325 35	R00325 40



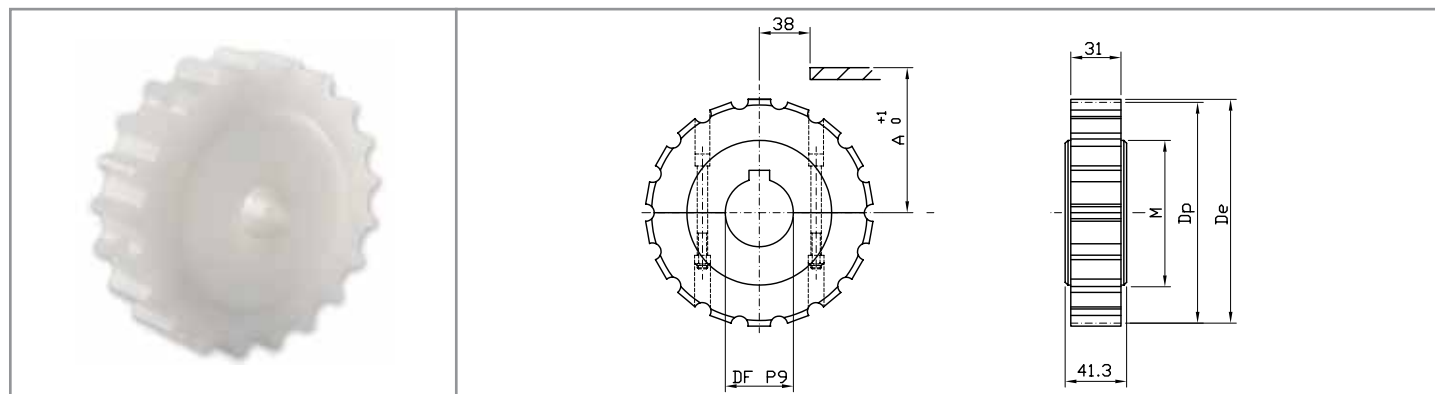
### Self-lubricating idler wheels

material: self-lubricating polyamide - screws in zinc plated steel / colour: black

DIMENSIONS				PRODUCT CODE			
Z eq.	De	DG	A	DF 25	DF 30	DF 35	DF 40
19	118.0	80.0	62.6	K00419 25	K00419 30	K00419 35	K00419 40
21	129.8	80.0	68.6	K00421 25	K00421 30	K00421 35	K00421 40
23	142.5	108.0	74.6	K00423 25	K00423 30	K00423 35	K00423 40
25	155.0	108.0	80.5	K00425 25	K00425 30	K00425 35	K00425 40

# machined sprockets

881 / 8811 / 881TAB / 8811TAB / 8811R-TAB / 815TAB SERIES

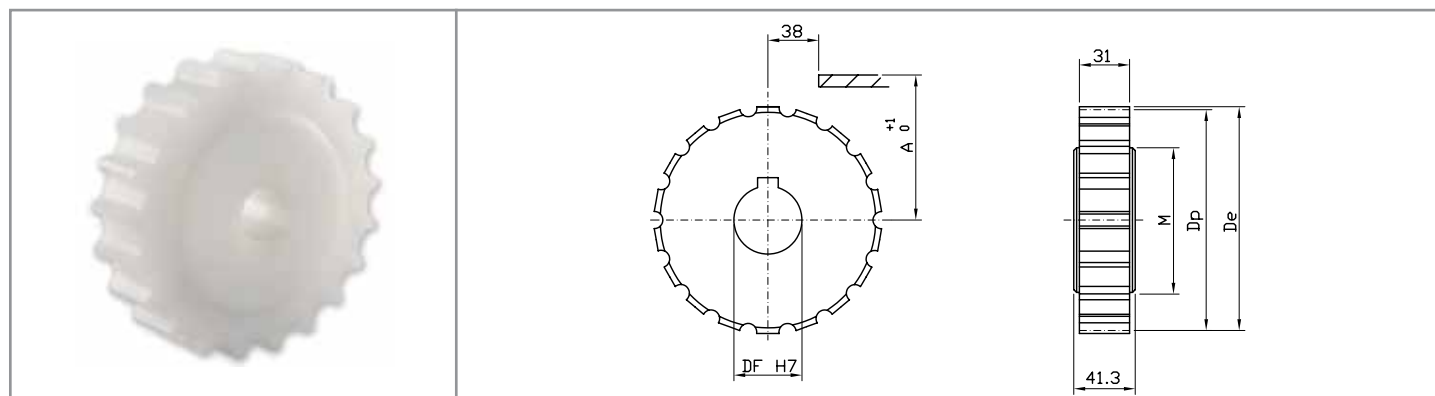


## Self-lubricating idler wheels

material: polyamide - screws in stainless steel - UNI 6604-69 key seat

DIMENSIONS					PRODUCT CODE				
Z	De	Dp	A	M	DF 18*	DF 25	DF 30	DF 35	DF 40
17	103.9	105.47	55.9	60.0	S11417 18	S11417 25	S11417 30	S11417 35	S11417 40
19	117.0	117.34	61.9	70.0	S11419 18	S11419 25	S11419 30	S11419 35	S11419 40
21	129.0	129.26	67.8	75.0	S11421 18	S11421 25	S11421 30	S11421 35	S11421 40
23	142.0	141.21	73.8	80.0	S11423 18	S11423 25	S11423 30	S11423 35	S11423 40
25	154.0	153.21	79.8	90.0	S11425 18	S11425 25	S11425 30	S11425 35	S11425 40
27	166.8	165.20	85.8	100.0	S11427 18	S11427 25	S11427 30	S11427 35	S11427 40
29	178.5	177.24	91.8	110.0	S11429 18	S11429 25	S11429 30	S11429 35	S11429 40

\* plain bore



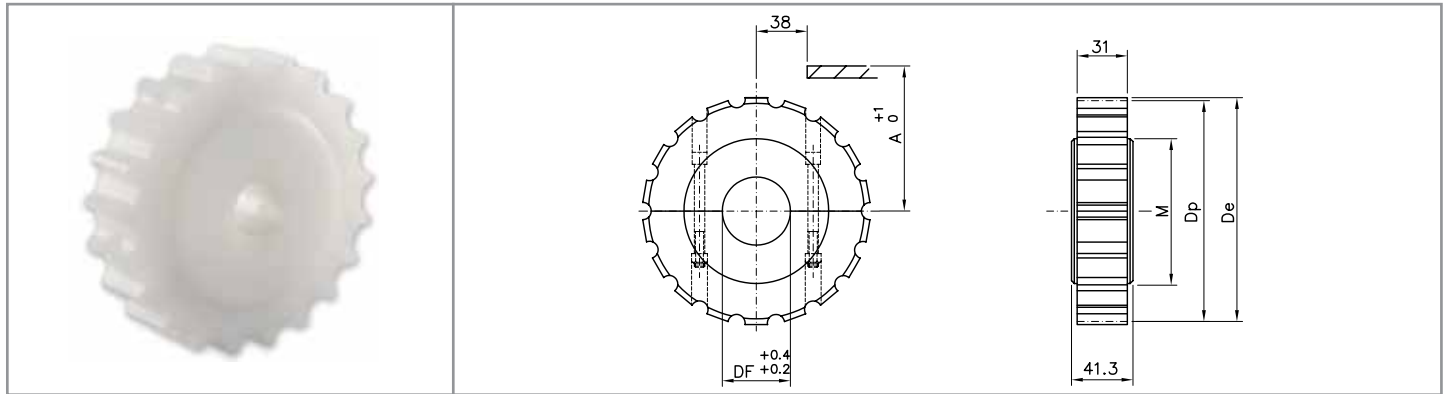
## Standard sprockets

material: polyamide - screws in stainless steel - UNI 6604-69 key seat

DIMENSIONS					PRODUCT CODE			
Z	De	Dp	A	M	DF 25	DF 30	DF 35	DF 40
17	103.9	105.47	55.9	60.0	S01417 25	S01417 30	S01417 35	S01417 40
19	117.0	117.34	61.9	70.0	S01419 25	S01419 30	S01419 35	S01419 40
21	129.0	129.26	67.8	75.0	S01421 25	S01421 30	S01421 35	S01421 40
23	142.0	141.21	73.8	80.0	S01423 25	S01423 30	S01423 35	S01423 40
25	154.0	153.21	79.8	90.0	S01425 25	S01425 30	S01425 35	S01425 40
27	166.8	165.20	85.8	100.0	S01427 25	S01427 30	S01427 35	S01427 40
29	178.5	177.24	91.8	110.0	S01429 25	S01429 30	S01429 35	S01429 40

# machined idler wheels

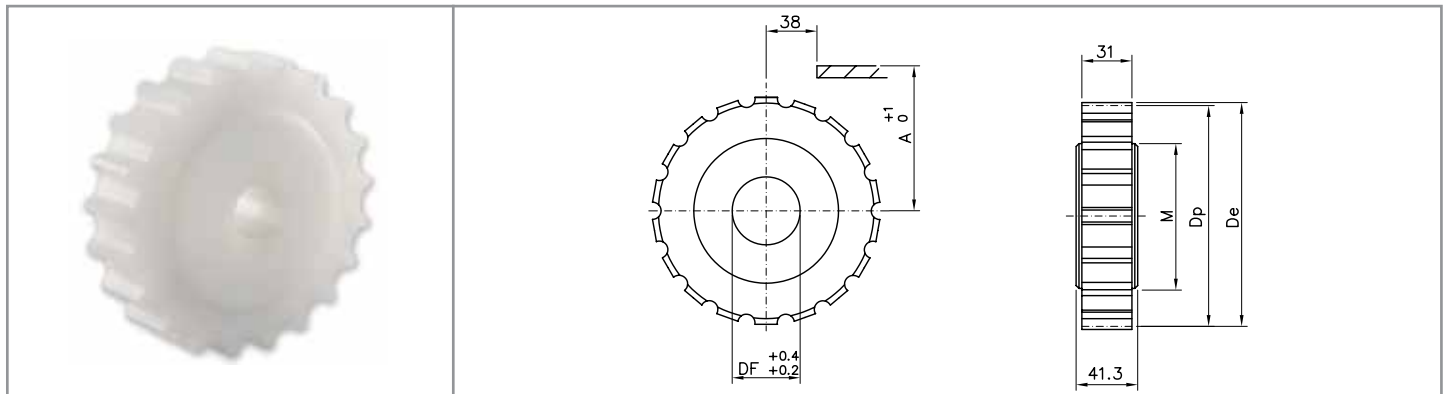
881 / 8811 / 881TAB / 8811TAB / 8811R-TAB / 815TAB SERIES



## Split idler wheels

material: polyamide - screws in stainless steel

DIMENSIONS					PRODUCT CODE			
Z	De	Dp	A	M	DF 25	DF 30	DF 35	DF 40
17	103.9	105.47	55.9	60.0	R11417 25	R11417 30	R11417 35	R11417 40
19	117.0	117.34	61.9	70.0	R11419 25	R11419 30	R11419 35	R11419 40
21	129.0	129.26	67.8	75.0	R11421 25	R11421 30	R11421 35	R11421 40
23	142.0	141.21	73.8	80.0	R11423 25	R11423 30	R11423 35	R11423 40
25	154.0	153.21	79.8	90.0	R11425 25	R11425 30	R11425 35	R11425 40
27	166.8	165.20	85.8	100.0	R11427 25	R11427 30	R11427 35	R11427 40
29	178.5	177.24	91.8	110.0	R11429 25	R11429 30	R11429 35	R11429 40



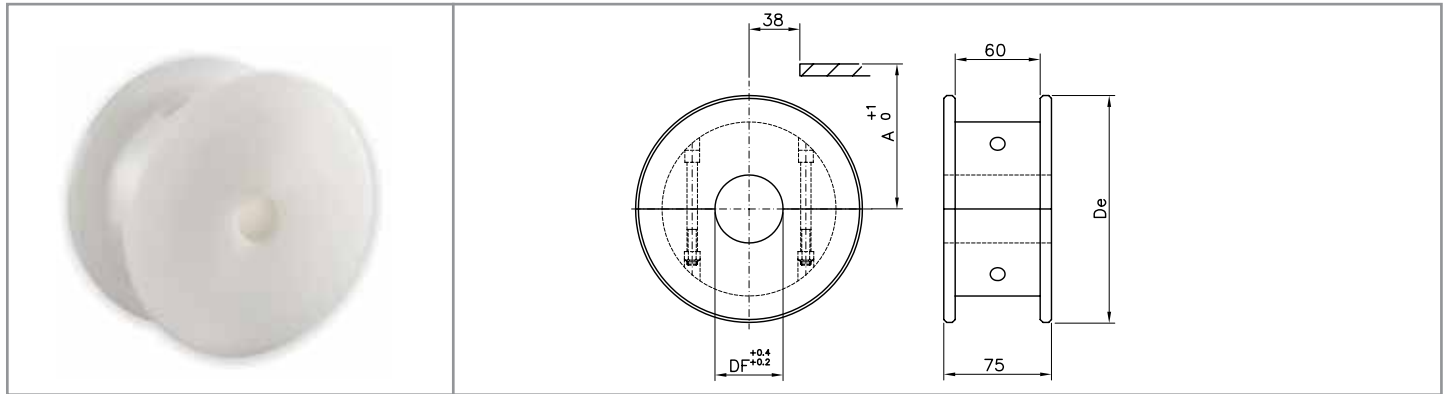
## Standard idler wheels

material: polyamide

DIMENSIONS					PRODUCT CODE			
Z	De	Dp	A	M	DF 25	DF 30	DF 35	DF 40
17	104.7	105.48	55.9	60.0	R01417 25	R01417 30	R01417 35	R01417 40
19	117.0	117.34	61.9	70.0	R01419 25	R01419 30	R01419 35	R01419 40
21	129.0	129.26	67.8	75.0	R01421 25	R01421 30	R01421 35	R01421 40
23	142.0	141.21	73.8	80.0	R01423 25	R01423 30	R01423 35	R01423 40
25	154.0	153.21	79.8	90.0	R01425 25	R01425 30	R01425 35	R01425 40
27	166.8	165.20	85.8	100.0	R01427 25	R01427 30	R01427 35	R01427 40
29	178.5	177.24	91.8	110.0	R01429 25	R01429 30	R01429 35	R01429 40

# machined idler wheels

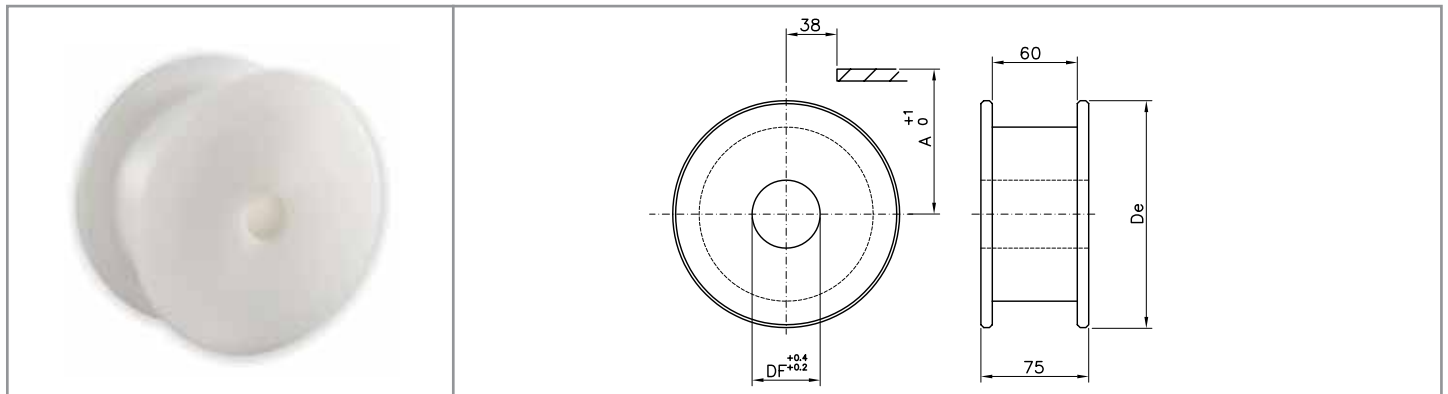
881TAB / 8811TAB / 8811R-TAB / 815TAB SERIES



## Split idler wheels

material: polyamide - screws in stainless steel

DIMENSIONS			PRODUCT CODE				
Z eq.	De	A	DF 20	DF 25	DF 30	DF 35	DF 40
17	104.0	56.2	P11417 20	P11417 25	P11417 30	P11417 35	P11417 40
19	117.0	62.6	P11419 20	P11419 25	P11419 30	P11419 35	P11419 40
21	129.8	68.6	P11421 20	P11421 25	P11421 30	P11421 35	P11421 40
23	142.2	74.6	P11423 20	P11423 25	P11423 30	P11423 35	P11423 40
25	154.7	80.5	P11425 20	P11425 25	P11425 30	P11425 35	P11425 40
27	167.2	88.5	P11427 20	P11427 25	P11427 30	P11427 35	P11427 40
29	179.3	92.8	P11429 20	P11429 25	P11429 30	P11429 35	P11429 40



## Standard idler wheels

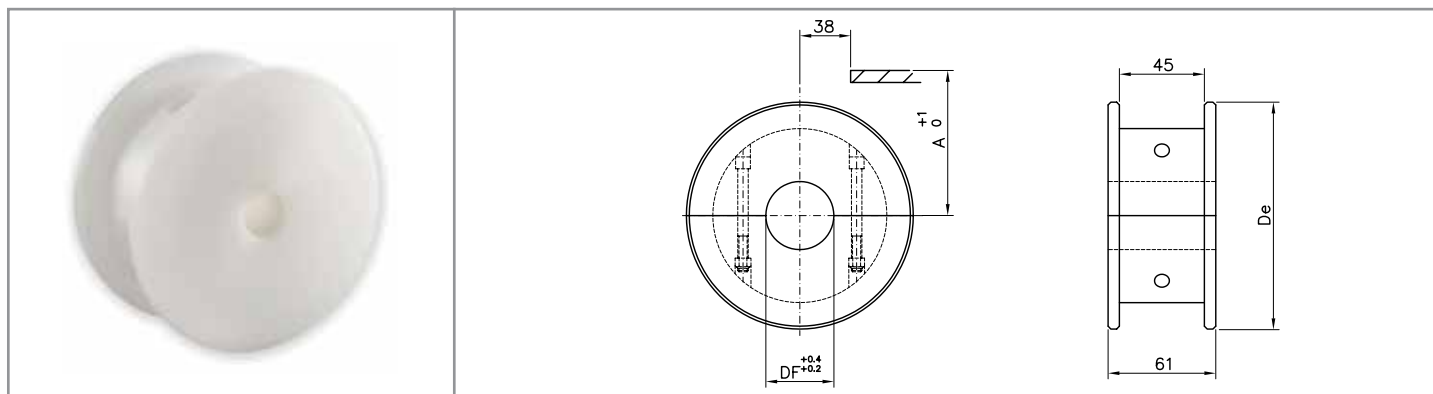
material: polyamide

DIMENSIONS			PRODUCT CODE				
Z eq.	De	A	DF 20	DF 25	DF 30	DF 35	DF 40
17	104.0	56.2	P01417 20	P01417 25	P01417 30	P01417 35	P01417 40
19	117.0	62.6	P01419 20	P01419 25	P01419 30	P01419 35	P01419 40
21	129.8	68.6	P01421 20	P01421 25	P01421 30	P01421 35	P01421 40
23	142.2	74.6	P01423 20	P01423 25	P01423 30	P01423 35	P01423 40
25	154.7	80.5	P01425 20	P01425 25	P01425 30	P01425 35	P01425 40
27	167.2	88.5	P01427 20	P01427 25	P01427 30	P01427 35	P01427 40
29	179.3	92.8	P01429 20	P01429 25	P01429 30	P01429 35	P01429 40



# machined idler wheels

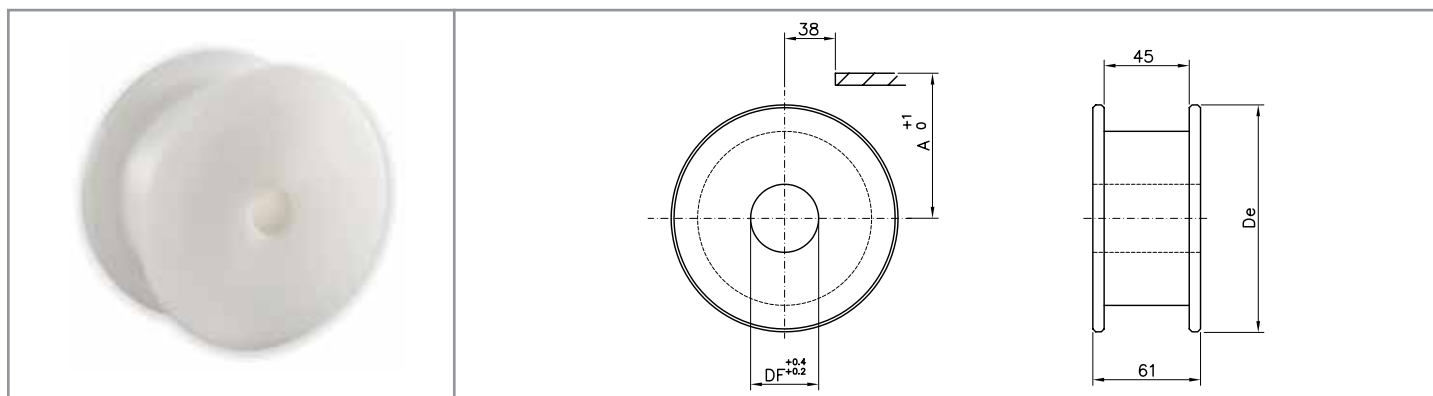
## 881 / 8811 BEVEL SERIES



### Split idler wheels

material: polyamide - screws in stainless steel

DIMENSIONS			PRODUCT CODE				
Z eq.	De	A	DF 20	DF 25	DF 30	DF 35	DF 40
17	104.0	56.2	P11617 20	P11617 25	P11617 30	P11617 35	P11617 40
19	117.0	62.6	P11619 20	P11619 25	P11619 30	P11619 35	P11619 40
21	129.8	68.6	P11621 20	P11621 25	P11621 30	P11621 35	P11621 40
23	142.2	74.6	P11623 20	P11623 25	P11623 30	P11623 35	P11623 40
25	154.7	80.5	P11625 20	P11625 25	P11625 30	P11625 35	P11625 40
27	167.2	88.5	P11627 20	P11627 25	P11627 30	P11627 35	P11627 40
29	179.3	92.8	P11629 20	P11629 25	P11629 30	P11629 35	P11629 40



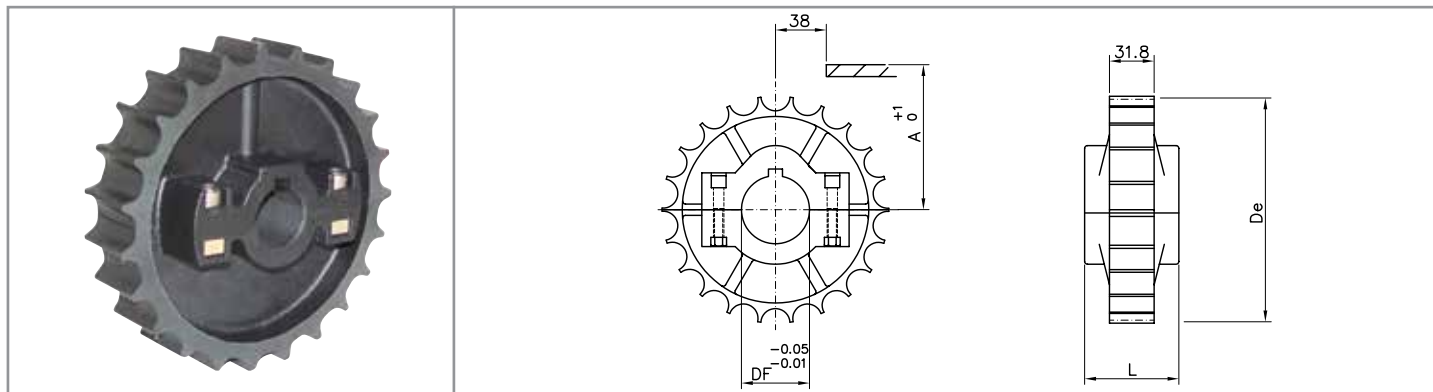
### Standard idler wheels

material: polyamide

DIMENSIONS			PRODUCT CODE				
Z eq.	De	A	DF 20	DF 25	DF 30	DF 35	DF 40
17	104.0	56.2	P01617 20	P01617 25	P01617 30	P01617 35	P01617 40
19	117.0	62.6	P01619 20	P01619 25	P01619 30	P01619 35	P01619 40
21	129.8	68.6	P01621 20	P01621 25	P01621 30	P01621 35	P01621 40
23	142.2	74.6	P01623 20	P01623 25	P01623 30	P01623 35	P01623 40
25	154.7	80.5	P01625 20	P01625 25	P01625 30	P01625 35	P01625 40
27	167.2	88.5	P01627 20	P01627 25	P01627 30	P01627 35	P01627 40
29	179.3	92.8	P01629 20	P01629 25	P01629 30	P01629 35	P01629 40

# injected sprockets

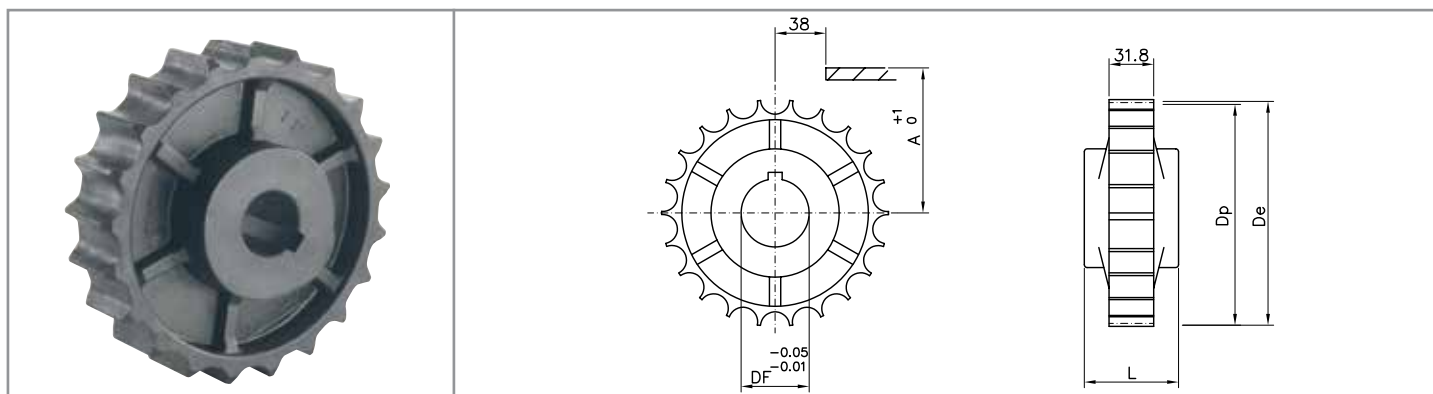
881 / 8811 / 881TAB / 8811TAB SERIES



## Split sprockets

material: reinforced polyamide - screws in stainless steel, nuts in nickel plated brass - UNI 6604-69 key seat

DIMENSIONS					PRODUCT CODE				
Z	De	A	B	L	DF 25	DF 30	DF 35	DF 40	DF 45
21	129.0	67.8	116.1	51.0	S10421 25	S10421 30	S10421 35	S10421 40	S10421 45
23	142.0	73.8	128.1	51.0	S10423 25	S10423 30	S10423 35	S10423 40	S10423 45
25	154.0	79.8	140.1	58.5	S10425 25	S10425 30	S10425 35	S10425 40	S10425 45



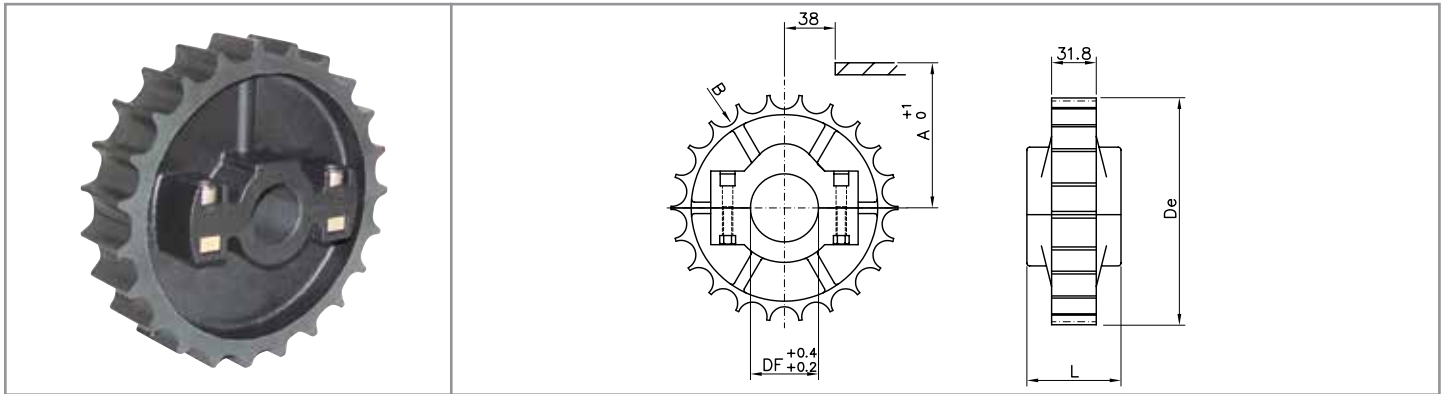
## Standard sprockets

material: polyamide - UNI 6604 - 69 key seat

DIMENSIONS					PRODUCT CODE			
Z	De	Dp	A	L	DF 25	DF 30	DF 35	DF 40
21	129.0	129.26	67.8	51.0	S00421 25	S00421 30	S00421 35	S00421 40
25	154.0	153.20	79.8	58.5	S00425 25	S00425 30	S00425 35	S00425 40

# injected idler wheels

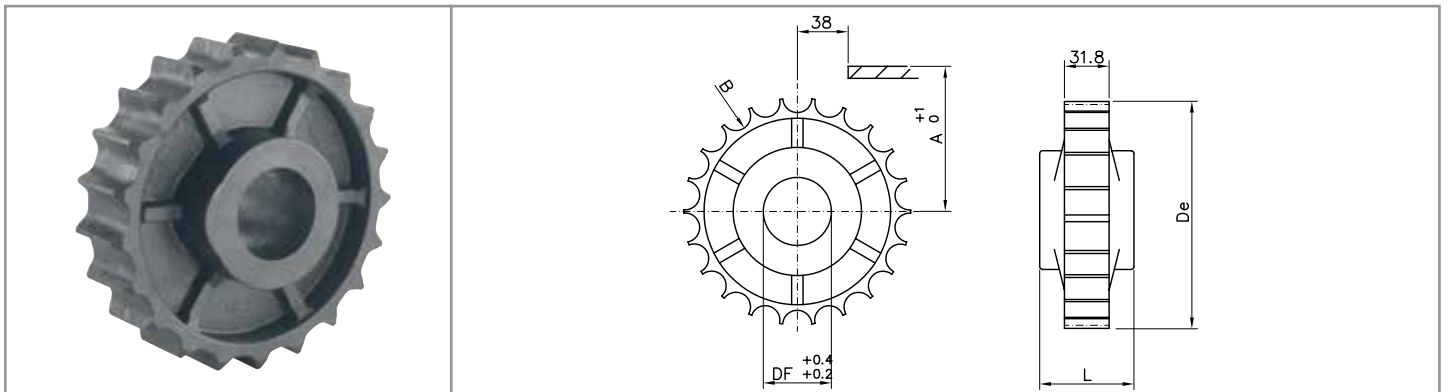
881 / 8811 / 881TAB / 8811TAB / 8811R-TAB / 815 TAB SERIES



## Split idler wheels

material: polyamide - screws in stainless steel - nuts in nickel plated brass / colour: black

DIMENSIONS					PRODUCT CODE				
Z	De	A	B	L	DF 25	DF 30	DF 35	DF 40	DF 45
21	129.0	67.8	116.1	51.0	R10421 25	R10421 30	R10421 35	R10421 40	R10421 45
23	142.0	73.8	128.1	51.0	R10423 25	R10423 30	R10423 35	R10423 40	R10423 45
25	154.0	79.8	140.1	58.5	R10425 25	R10425 30	R10425 35	R10425 40	R10425 45



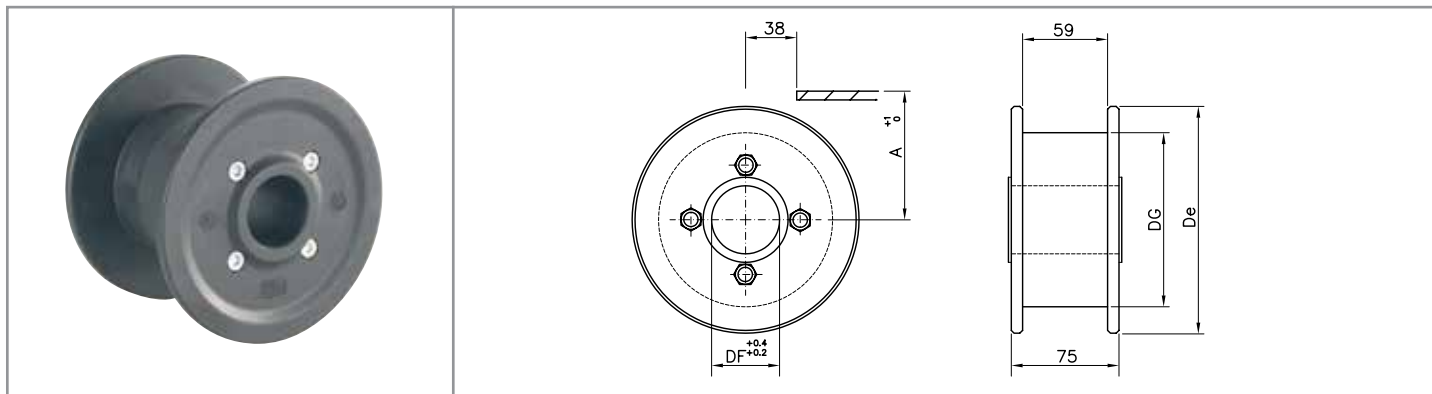
## Standard idler wheels

material: polyamide / colour: black

DIMENSIONS					PRODUCT CODE			
Z	De	Dp	A	L	DF 25	DF 30	DF 35	DF 40
21	129.0	129.26	67.8	51.0	R00421 25	R00421 30	R00421 35	R00421 40
25	154.0	153.20	79.8	58.5	R00425 25	R00425 30	R00425 35	R00425 40

# injected idler wheels

## 881TAB / 8811TAB / 8811R-TAB / 815 TAB SERIES

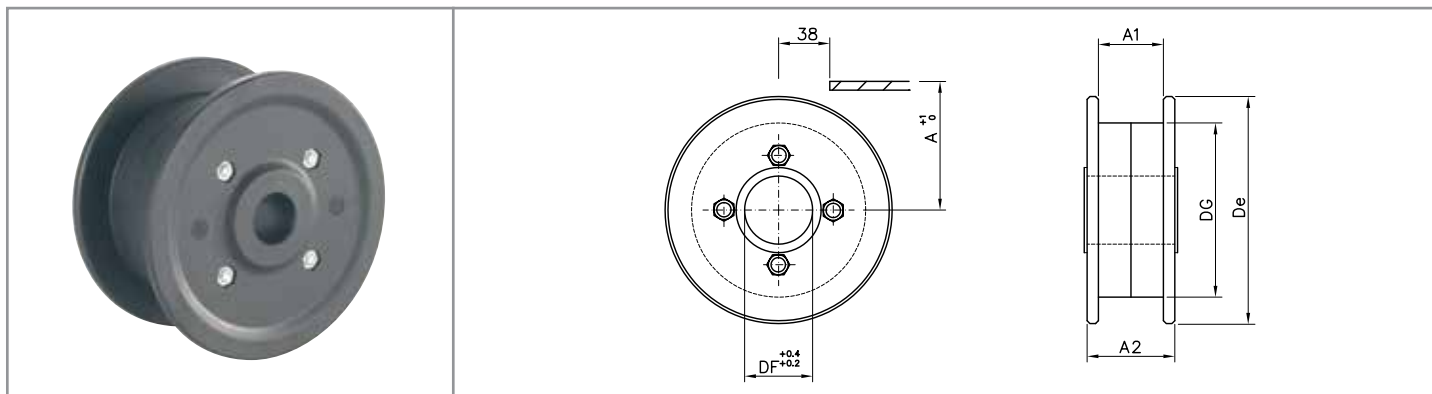


### Self-lubricating idler wheels

material: self-lubricating polyamide - screws in zinc plated steel / colour: black

DIMENSIONS				PRODUCT CODE			
Z eq.	De	DG	A	DF 25	DF 30	DF 35	DF 40
19	118.0	80.0	62.6	K00419 25	K00419 30	K00419 35	K00419 40
21	129.8	80.0	68.6	K00421 25	K00421 30	K00421 35	K00421 40
23	142.5	108.0	74.6	K00423 25	K00423 30	K00423 35	K00423 40
25	155.0	108.0	80.5	K00425 25	K00425 30	K00425 35	K00425 40

## 881 / 8811 / 8811M SERIES



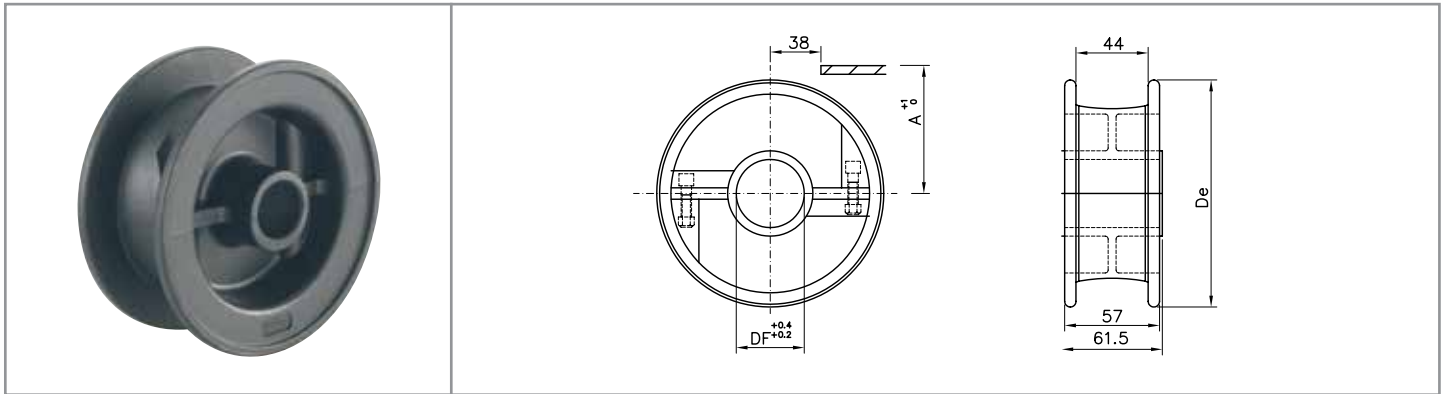
### Self-lubricating idler wheels

material: self-lubricating polyamide - screws in zinc plated steel / colour: black

DIMENSIONS						PRODUCT CODE				
Z eq.	De	DG	A	A1	A2	DF 25	DF 30	DF 35	DF 40	DF 45
15	90.0	58.0	48.2	48.0	83.0	K00615 25	K00615 30	K00615 35	K00615 40	K00615 45
17	106.0	71.0	56.2	44.0	52.0	K00617 25	K00617 30	/	/	/
19	118.0	80.0	62.6	44.0	60.0	K00619 25	K00619 30	K00619 35	K00619 40	/
21	129.8	80.0	68.6	44.0	60.0	K00621 25	K00621 30	K00621 35	K00621 40	/
23	142.5	108.0	74.6	44.0	60.0	K00623 25	K00623 30	K00623 35	K00623 40	/
25	155.0	108.0	80.5	44.0	60.0	K00625 25	K00625 30	K00625 35	K00625 40	/

# injected idler wheels

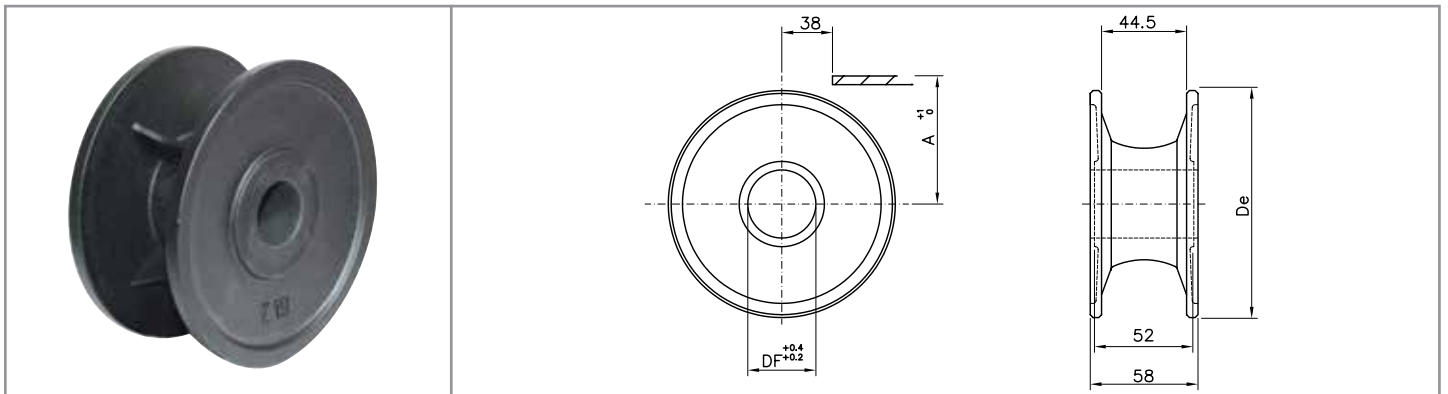
881 / 8811 / 8811M SERIES



## Split idler wheels

material: self-lubricating polyamide / colour: black

DIMENSIONS			PRODUCT CODE			
Z eq.	De	A	DF 25	DF 30	DF 35	DF 40
21	129.8	48.2	P10621 25	P10621 30	P10621 35	P10621 40
23	142.5	74.6	P10623 25	P10623 30	P10623 35	P10623 40
25	154.5	80.5	P10625 25	P10625 30	P10625 35	P10625 40



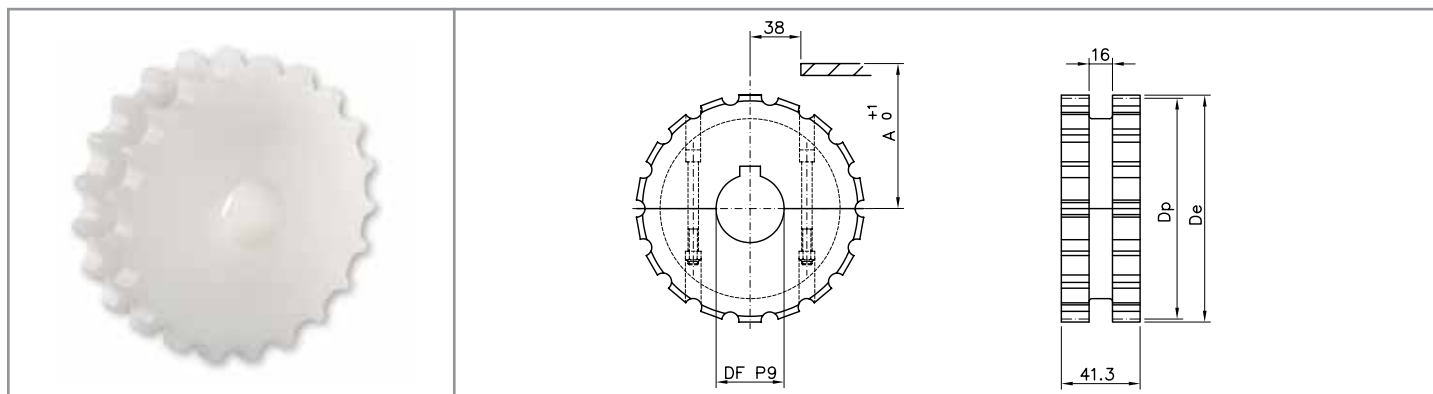
## Standard idler wheels

material: self-lubricating polyamide / colour: black

DIMENSIONS			PRODUCT CODE				
Z eq.	De	A	DF 20	DF 25	DF 30	DF 35	DF 40
15	95.5	92.0	/	P00615 25	P00615 30	/	/
17	106.5	57.0	/	P00617 25	P00617 30	/	/
18	113.0	92.0	/	P00618 25	P00618 30	/	/
19	117.0	62.6	P00619 20	P00619 25	P00619 30	P00619 35	P00619 40
21	129.8	68.6	P00621 20	P00621 25	P00621 30	P00621 35	P00621 40
23	142.2	74.6	P00623 20	P00623 25	P00623 30	P00623 35	P00623 40
25	154.7	80.5	P00625 20	P00625 25	P00625 30	P00625 35	P00625 40

# machined sprockets

820 / 831 / LBP 831 SERIES

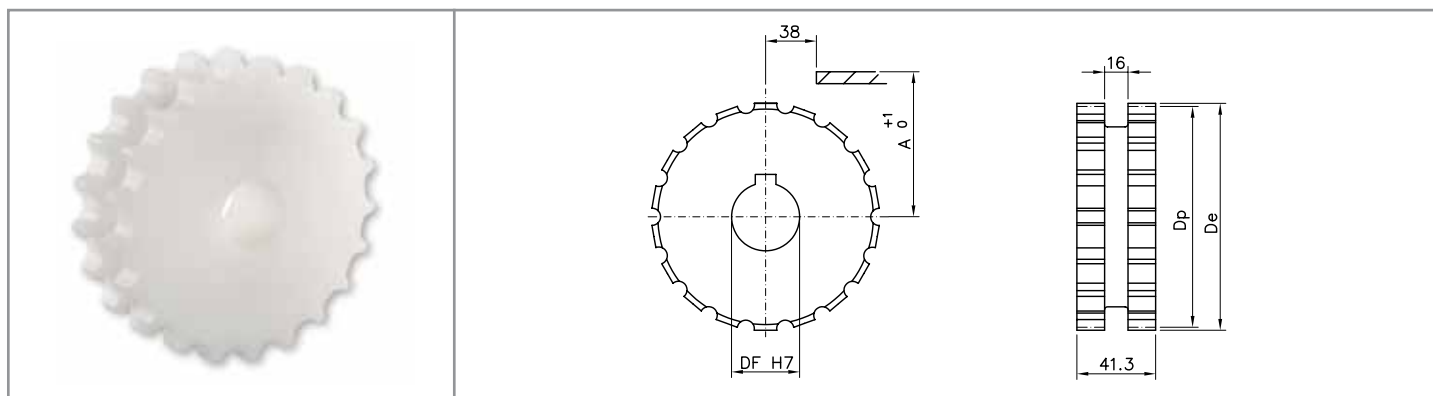


## Split sprockets

material: polyamide - screws in stainless steel - UNI 6604-69 key seat

DIMENSIONS				PRODUCT CODE				
Z	De	Dp	A	DF 18*	DF 25	DF 30	DF 35	DF 40
17	103.9	105.47	55.9	S11617 18	S11617 25	S11617 30	S11617 35	S11617 40
19	117.0	117.34	61.9	S11619 18	S11619 25	S11619 30	S11619 35	S11619 40
21	129.0	129.26	67.8	S11621 18	S11621 25	S11621 30	S11621 35	S11621 40
23	142.0	141.21	73.8	S11623 18	S11623 25	S11623 30	S11623 35	S11623 40
25	154.0	153.21	79.8	S11625 18	S11625 25	S11625 30	S11625 35	S11625 40
27	166.8	165.20	85.8	S11627 18	S11627 25	S11627 30	S11627 35	S11627 40
29	178.5	177.24	91.8	S11629 18	S11629 25	S11629 30	S11629 35	S11629 40

\* plain bore



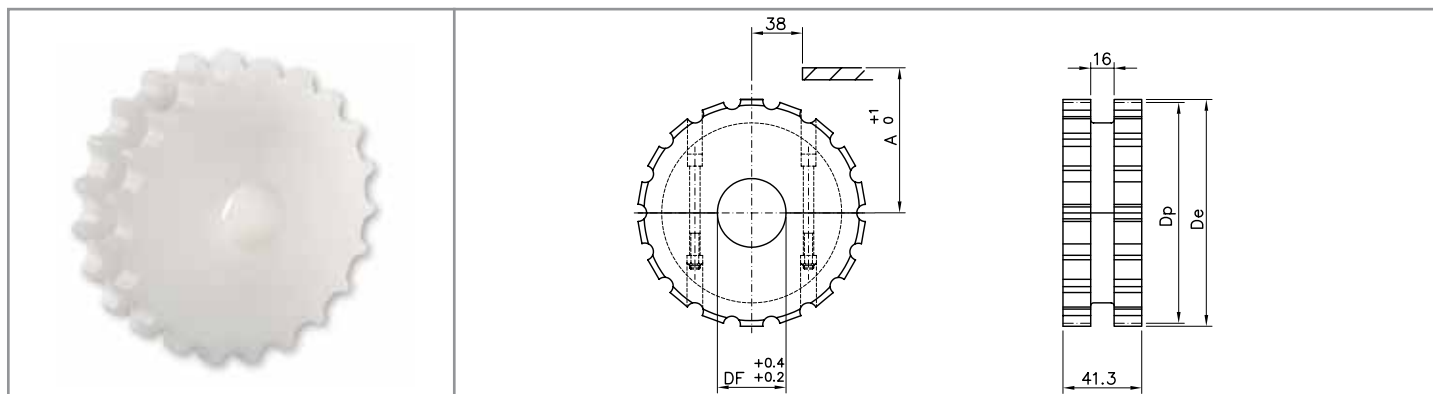
## Standard sprockets

material: polyamide - UNI 6604 -69 key seat

DIMENSIONS				PRODUCT CODE			
Z	De	Dp	A	DF 25	DF 30	DF 35	DF 40
17	103.9	105.47	55.9	S01617 25	S01617 30	S01617 35	S01617 40
19	117.0	117.34	61.9	S01619 25	S01619 30	S01619 35	S01619 40
21	129.0	129.26	67.8	S01621 25	S01621 30	S01621 35	S01621 40
23	142.0	141.21	73.8	S01623 25	S01623 30	S01623 35	S01623 40
25	154.0	153.21	79.8	S01625 25	S01625 30	S01625 35	S01625 40
27	166.8	165.20	85.8	S01627 25	S01627 30	S01627 35	S01627 40
29	178.5	177.24	91.8	S01629 25	S01629 30	S01629 35	S01629 40

# machined idler wheels

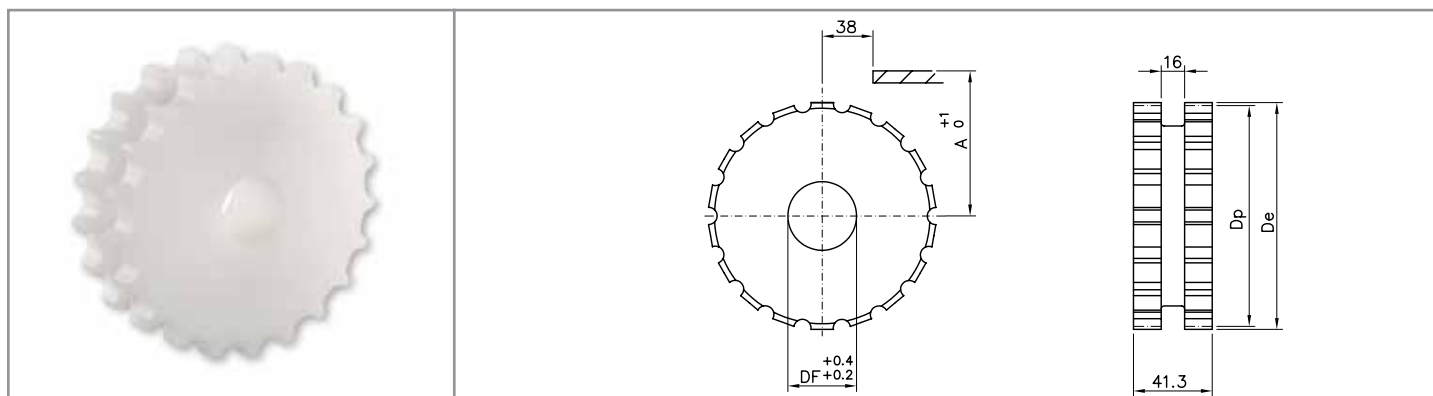
820 / 831 / LBP 831 SERIES



## Split idler wheels

material: polyamide - screws in stainless steel

DIMENSIONS				PRODUCT CODE			
Z	De	Dp	A	DF 25	DF 30	DF 35	DF 40
17	103.9	105.47	55.9	R11617 25	R11617 30	R11617 35	R11617 40
19	117.0	117.34	61.9	R11619 25	R11619 30	R11619 35	R11619 40
21	129.0	129.26	67.8	R11621 25	R11621 30	R11621 35	R11621 40
23	142.0	141.21	73.8	R11623 25	R11623 30	R11623 35	R11623 40
25	154.0	153.21	79.8	R11625 25	R11625 30	R11625 35	R11625 40
27	166.8	165.20	85.8	R11627 25	R11627 30	R11627 35	R11627 40
29	178.5	177.24	91.8	R11629 25	R11629 30	R11629 35	R11629 40



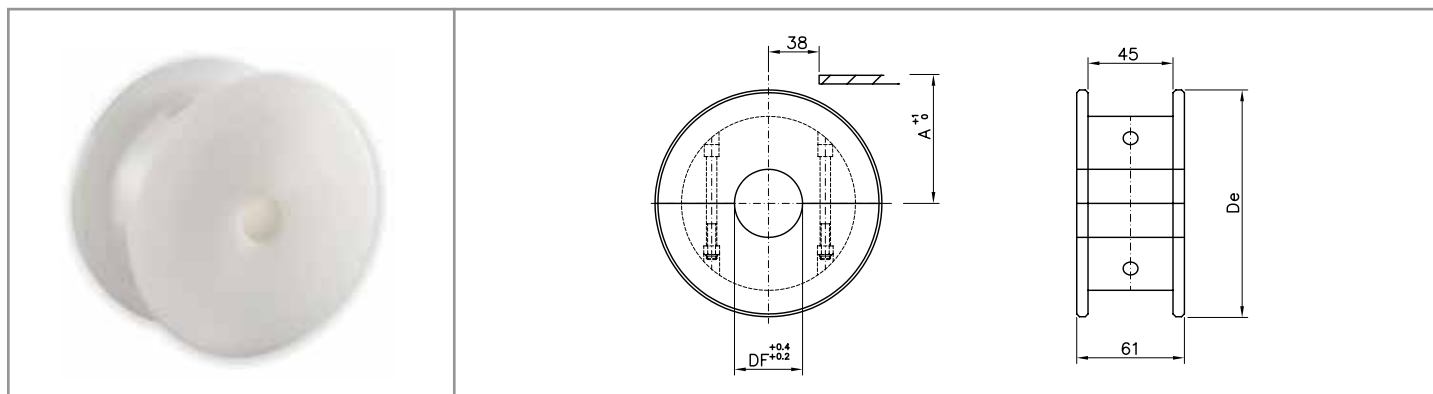
## Standard idler wheels

material: polyamide

DIMENSIONS				PRODUCT CODE			
Z	De	Dp	A	DF 25	DF 30	DF 35	DF 40
17	103.9	105.47	55.9	R01617 25	R01617 30	R01617 35	R01617 40
19	117.0	117.34	61.9	R01619 25	R01619 30	R01619 35	R01619 40
21	129.0	129.26	67.8	R01621 25	R01621 30	R01621 35	R01621 40
23	142.0	141.21	73.8	R01623 25	R01623 30	R01623 35	R01623 40
25	154.0	153.21	79.8	R01625 25	R01625 30	R01625 35	R01625 40
27	166.8	165.20	85.8	R01627 25	R01627 30	R01627 35	R01627 40
29	178.5	177.24	91.8	R01629 25	R01629 30	R01629 35	R01629 40

# machined idler wheels

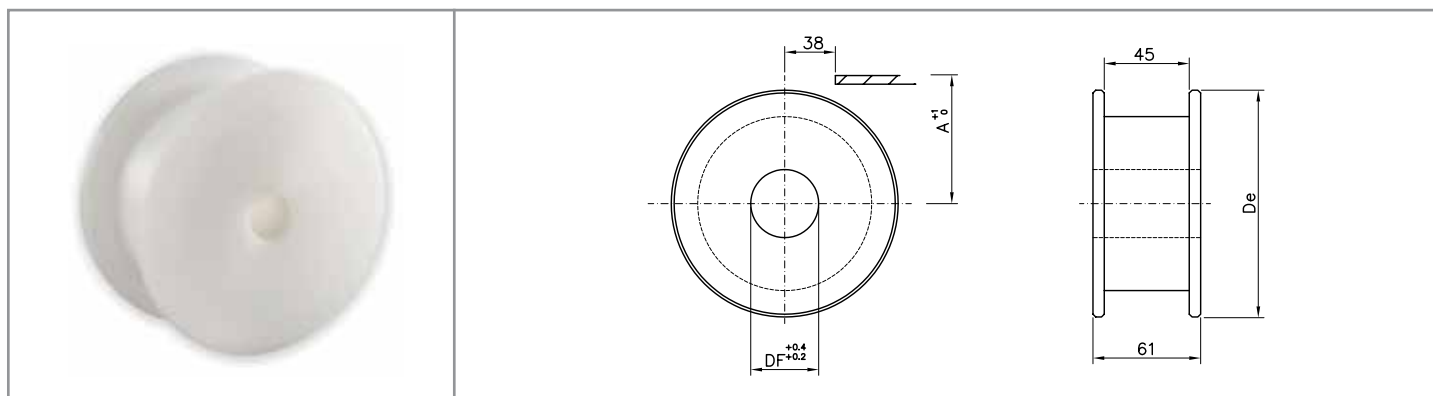
## 820 / 831 / LBP 831 SERIES



### Split idler wheels

material: polyamide - screws in stainless steel

DIMENSIONS			PRODUCT CODE				
Z eq.	De	A	DF 20	DF 25	DF 30	DF 35	DF 40
17	104.0	56.2	P11617 20	P11617 25	P11617 30	P11617 35	P11617 40
19	117.0	62.6	P11619 20	P11619 25	P11619 30	P11619 35	P11619 40
21	129.8	68.6	P11621 20	P11621 25	P11621 30	P11621 35	P11621 40
23	142.2	74.6	P11623 20	P11623 25	P11623 30	P11623 35	P11623 40
25	154.7	80.5	P11625 20	P11625 25	P11625 30	P11625 35	P11625 40
27	167.2	88.5	P11627 20	P11627 25	P11627 30	P11627 35	P11627 40
29	179.3	92.8	P11629 20	P11629 25	P11629 30	P11629 35	P11629 40



### Standard idler wheels

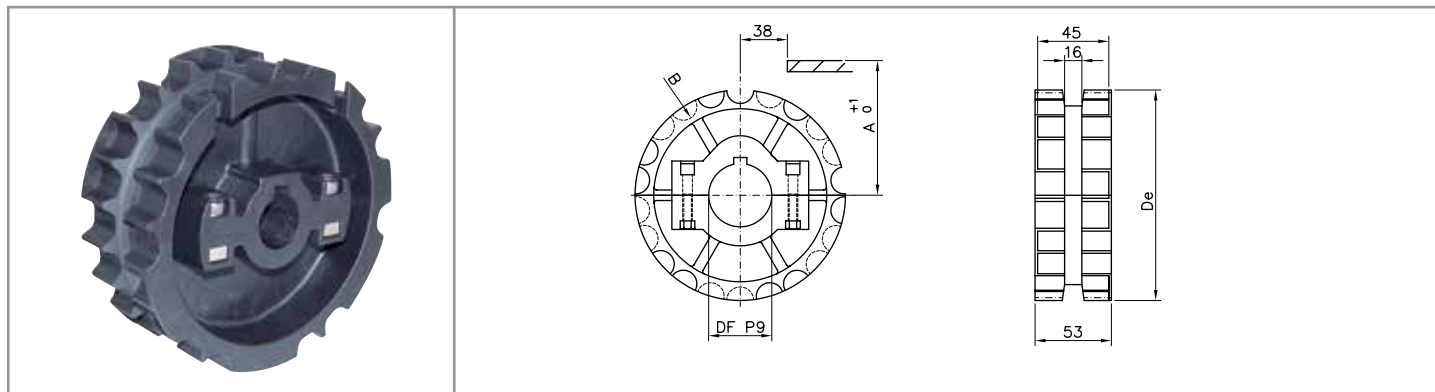
material: polyamide

DIMENSIONS			PRODUCT CODE				
Z eq.	De	A	DF 20	DF 25	DF 30	DF 35	DF 40
17	104.0	56.2	P01617 20	P01617 25	P01617 30	P01617 35	P01617 40
19	117.0	62.6	P01619 20	P01619 25	P01619 30	P01619 35	P01619 40
21	129.8	68.6	P01621 20	P01621 25	P01621 30	P01621 35	P01621 40
23	142.2	74.6	P01623 20	P01623 25	P01623 30	P01623 35	P01623 40
25	154.7	80.5	P01625 20	P01625 25	P01625 30	P01625 35	P01625 40
27	167.2	88.5	P01627 20	P01627 25	P01627 30	P01627 35	P01627 40
29	179.3	92.8	P01629 20	P01629 25	P01629 30	P01629 35	P01629 40



# injected sprockets and idler wheels

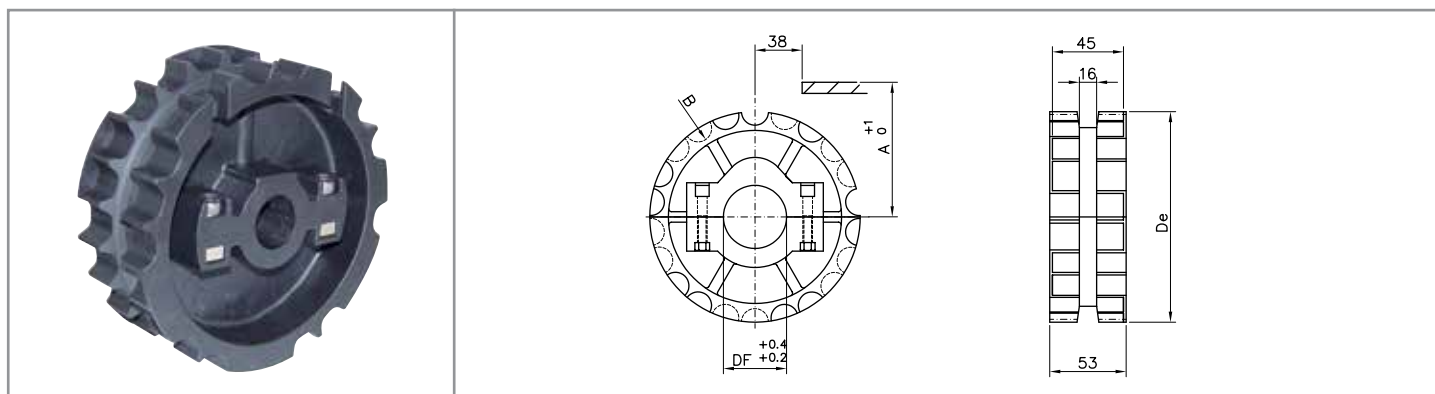
## 820 SERIES



### Split sprockets

material: reinforced polyamide - screws in stainless steel - nuts in nickel plated steel - UNI 6604 - 69 key seat

DIMENSIONS				PRODUCT CODE				
Z	De	B	A	DF 25	DF 30	DF 35	DF 40	DF 45
21	129.0	116.1	67.8	S10621 25	S10621 30	S10621 35	S10621 40	S10621 45
23	142.0	128.1	73.8	S10623 25	S10623 30	S10623 35	S10623 40	S10623 45
25	154.0	140.1	79.8	S10625 25	S10625 30	S10625 35	S10625 40	S10625 45



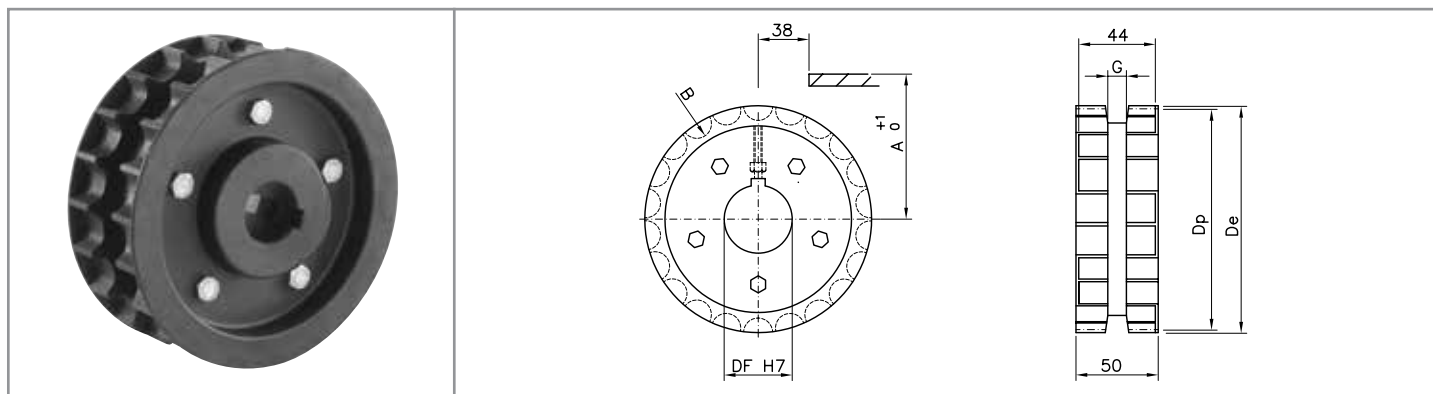
### Split idler wheels

material: polyamide - screws in stainless steel - nuts in nickel plated steel

DIMENSIONS				PRODUCT CODE				
Z	De	B	A	DF 25	DF 30	DF 35	DF 40	DF 45
21	129.0	116.1	67.8	R10621 25	R10621 30	R10621 35	R10621 40	R10621 45
23	142.0	128.1	73.8	R10623 25	R10623 30	R10623 35	R10623 40	R10623 45
25	154.0	140.1	79.8	R10625 25	R10625 30	R10625 35	R10625 40	R10625 45

# injected sprockets

## 820 SERIES

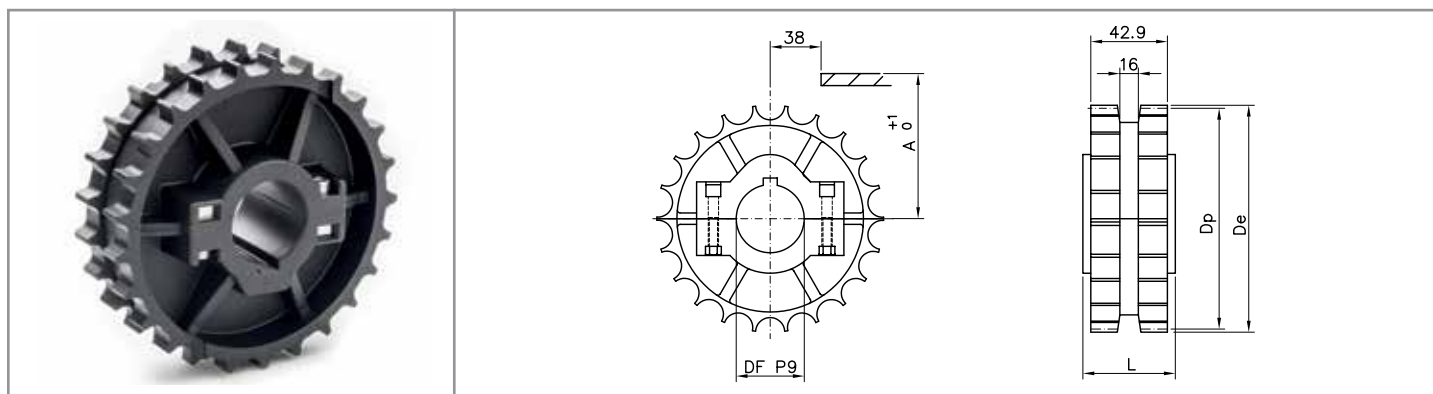


### Standard sprockets

material: reinforced polyamide - screws in stainless steel / UNI 6604-69 key seat

DIMENSIONS						PRODUCT CODE			
Z	De	Dp	A	B	G	DF 25	DF 30	DF 35	DF 40
15	92.2	93.67	-	-	-	S00615 25	S00615 30	/	/
17	103.9	105.47	56.0	92.3	13.0	S00617 25	S00617 30	/	/
19	117.0	117.34	62.0	104.2	16.0	S00619 25	S00619 30	S00619 35	S00619 40
21	129.0	129.26	68.0	116.1	16.0	S00621 25	S00621 30	S00621 35	S00621 40
23	142.0	141.21	74.0	128.1	16.0	S00623 25	S00623 30	S00623 35	S00623 40
25	154.0	153.21	80.0	140.1	16.0	S00625 25	S00625 30	S00625 35	S00625 40

## 831 / LBP 831 SERIES



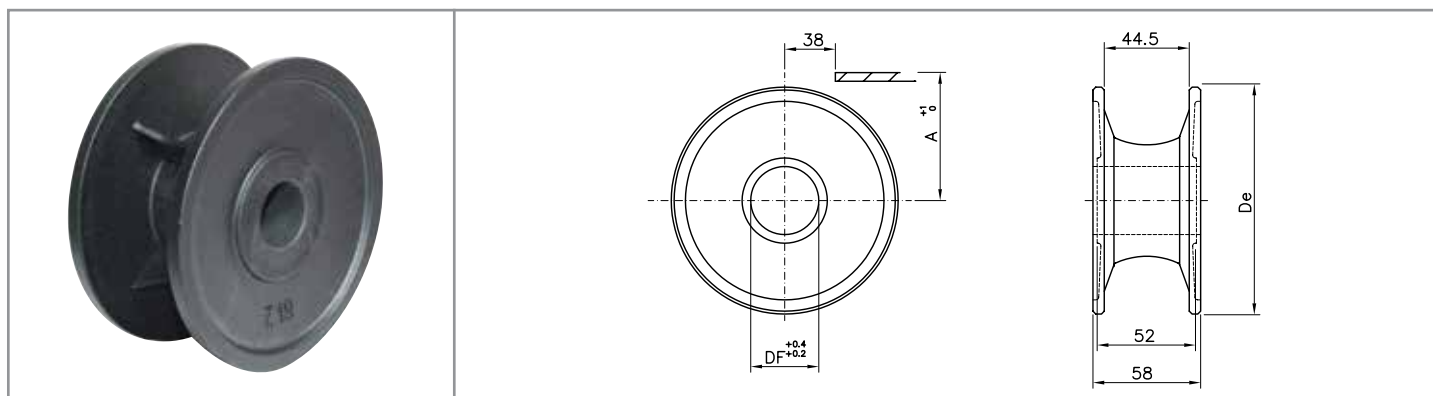
### Split sprockets

material: reinforced polyamide - screws in stainless steel - nuts in nickel plated steel / UNI 6604-69 key seat

DIMENSIONS					PRODUCT CODE				
Z	De	Dp	A	L	DF 25	DF 30	DF 35	DF 40	DF 45
21	129.5	129.26	67.8	51.0	D10621 25	D10621 30	D10621 35	D10621 40	D10621 45
23	142.0	141.22	73.8	51.0	D10623 25	D10623 30	D10623 35	D10623 40	D10623 45
25	154.2	153.21	79.8	58.5	D10625 25	D10625 30	D10625 35	D10625 40	D10625 45

# injected idler wheels

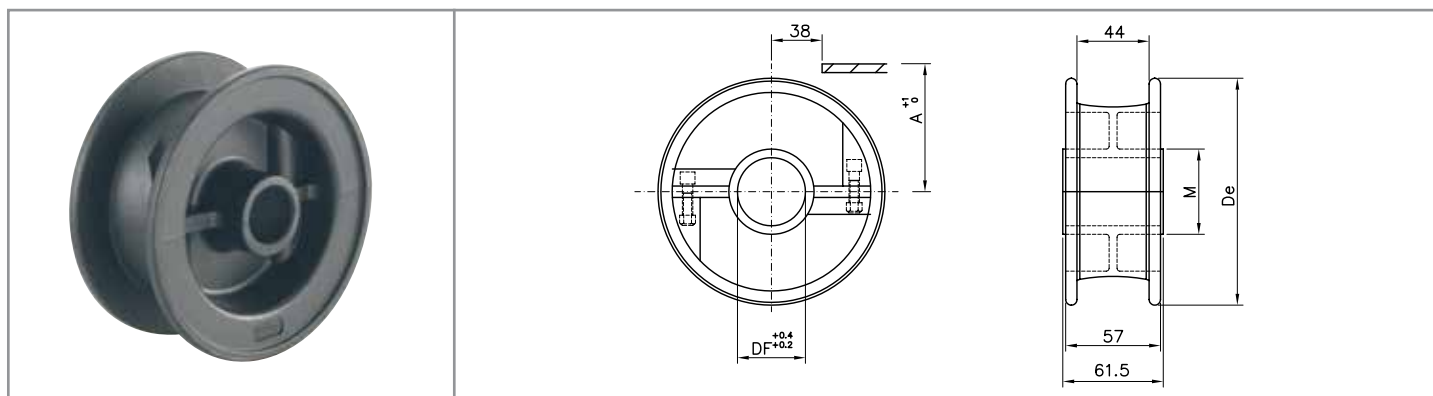
820 / 831 / LBP 831 SERIES



## Standard idler wheels

material: self-lubricating polyamide / colour: black

DIMENSIONS			PRODUCT CODE				
Z eq.	De	A	DF 20	DF 25	DF 30	DF 35	DF 40
15	95.5	92.0	/	P00615 25	P00615 30	/	/
17	106.5	57.0	/	P00617 25	P00617 30	/	/
18	113.0	92.0	/	P00618 25	P00618 30	/	/
19	117.0	62.6	P00619 20	P00619 25	P00619 30	P00619 35	P00619 40
21	129.8	68.6	P00621 20	P00621 25	P00621 30	P00621 35	P00621 40
23	142.2	74.6	P00623 20	P00623 25	P00623 30	P00623 35	P00623 40
25	154.7	80.5	P00625 20	P00625 25	P00625 30	P00625 35	P00625 40



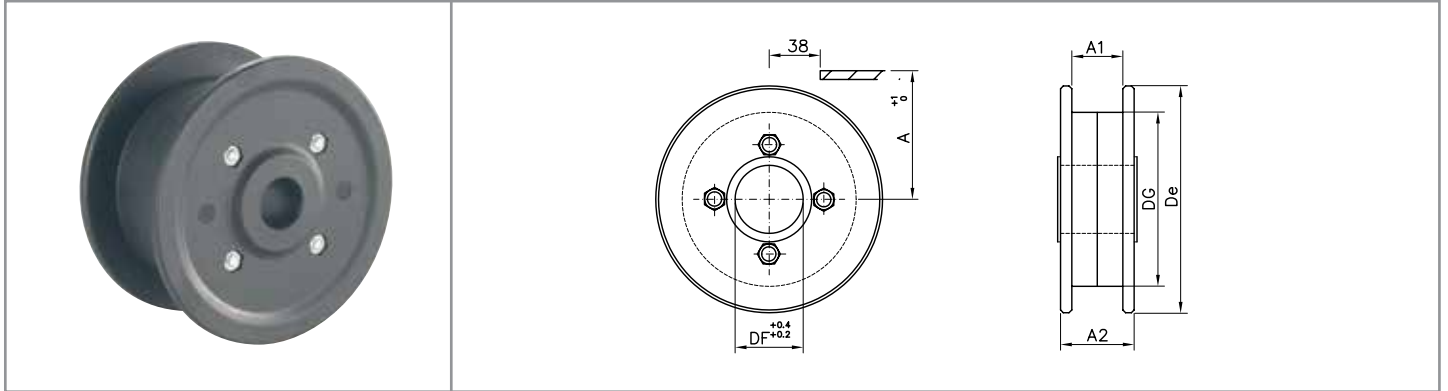
## Split idler wheels

material: self-lubricating polyamide - screws in stainless steel / colour: black

DIMENSIONS			PRODUCT CODE			
Z eq.	De	A	DF 25	DF 30	DF 35	DF 40
21	130.0	48.2	P10621 25	P10621 30	P10621 35	P10621 40
23	142.5	74.6	P10623 25	P10623 30	P10623 35	P10623 40
25	154.5	80.5	P10625 25	P10625 30	P10625 35	P10625 40

# injected idler wheels

820 / 831 / LBP 831 SERIES



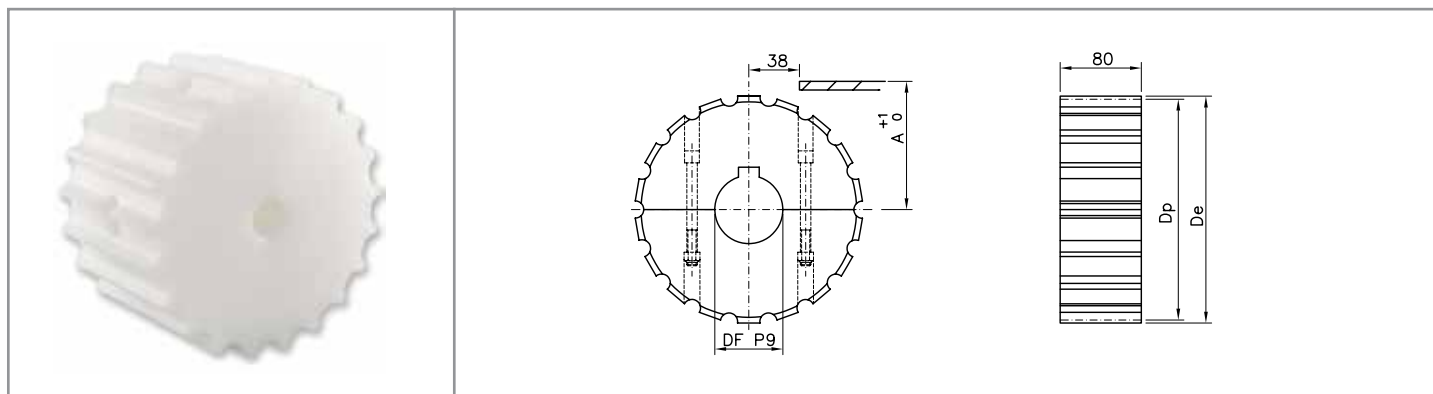
## Standard idler wheels

material: self-lubricating polyamide / colour: black

DIMENSIONS						PRODUCT CODE				
Z eq.	De	Dg	A	A1	A2	DF 25	DF 30	DF 35	DF 40	DF 45
15	90.0	58.0	48.2	48.0	83.0	/	K00615 30	K00615 35	K00615 40	K00615 45
17	106.0	71.0	56.2	44.0	52.0	K00617 25	K00617 30	/	/	/
19	118.0	80.0	62.6	44.0	60.0	K00619 25	K00619 30	K00619 35	K00619 40	/
21	129.8	80.0	68.6	44.0	60.0	K00621 25	K00621 30	K00621 35	K00621 40	/
23	142.5	108.0	74.6	44.0	60.0	K00623 25	K00623 30	K00623 35	K00623 40	/
25	155.0	108.0	74.6	44.0	60.0	K00625 25	K00625 30	K00625 35	K00625 40	/

# machined sprockets

## 821 / LBP 821 SERIES

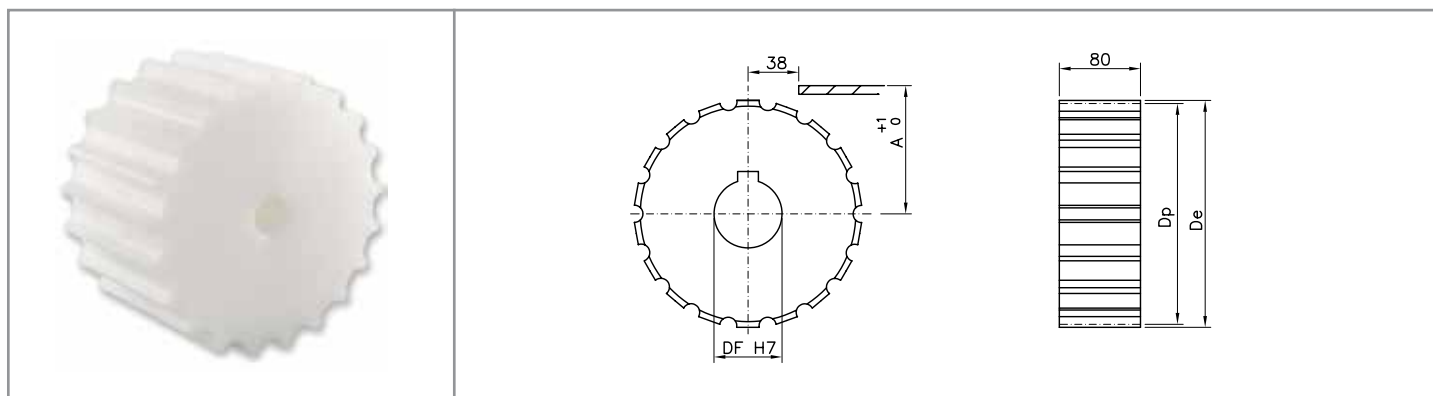


### Split sprockets

material: polyamide - screws in stainless steel / UNI 6604-69 key seat

DIMENSIONS				PRODUCT CODE				
Z	De	Dp	A	DF 18*	DF 25	DF 30	DF 35	DF 40
19	117.0	117.34	61.9	S11719 18	S11719 25	S11719 30	S11719 35	S11719 40
21	129.0	129.26	67.8	S11721 18	S11721 25	S11721 30	S11721 35	S11721 40
23	142.0	141.21	73.8	S11723 18	S11723 25	S11723 30	S11723 35	S11723 40
25	154.0	153.21	79.8	S11725 18	S11725 25	S11725 30	S11725 35	S11725 40
27	166.8	165.20	85.8	S11727 18	S11727 25	S11727 30	S11727 35	S11727 40
29	178.5	177.24	91.8	S11729 18	S11729 25	S11729 30	S11729 35	S11729 40

\* plain bore



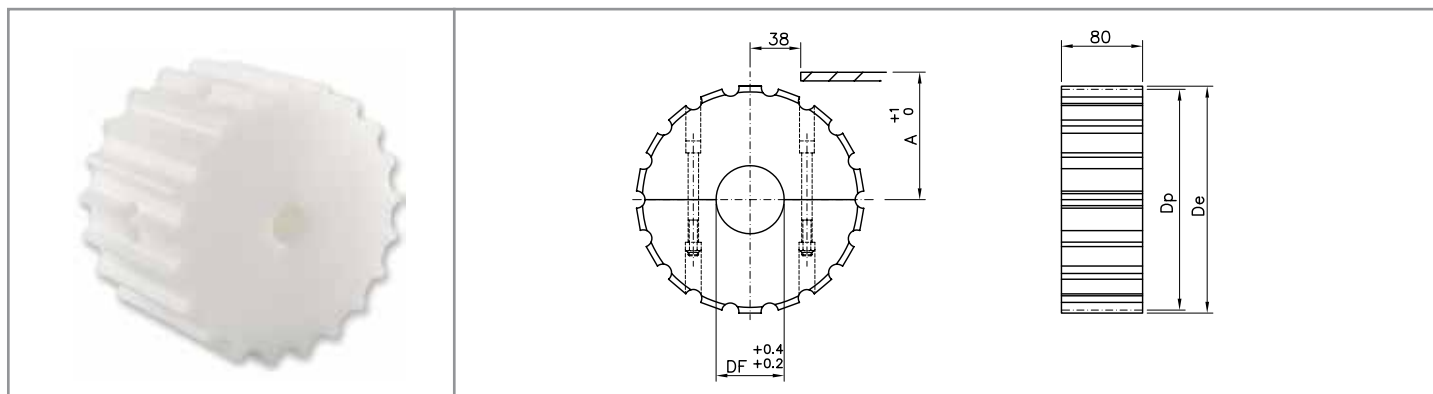
### Standard sprockets

material: polyamide / UNI 6604-69 key seat

DIMENSIONS				PRODUCT CODE			
Z	De	Dp	A	DF 25	DF 30	DF 35	DF 40
19	117.0	117.34	61.9	S01719 25	S01719 30	S01719 35	S01719 40
21	129.0	129.26	67.8	S01721 25	S01721 30	S01721 35	S01721 40
23	142.0	141.21	73.8	S01723 25	S01723 30	S01723 35	S01723 40
25	154.0	153.21	79.8	S01725 25	S01725 30	S01725 35	S01725 40
27	166.8	165.20	85.8	S01727 25	S01727 30	S01727 35	S01727 40
29	178.5	177.24	91.8	S01729 25	S01729 30	S01729 35	S01729 40

# machined idler wheels

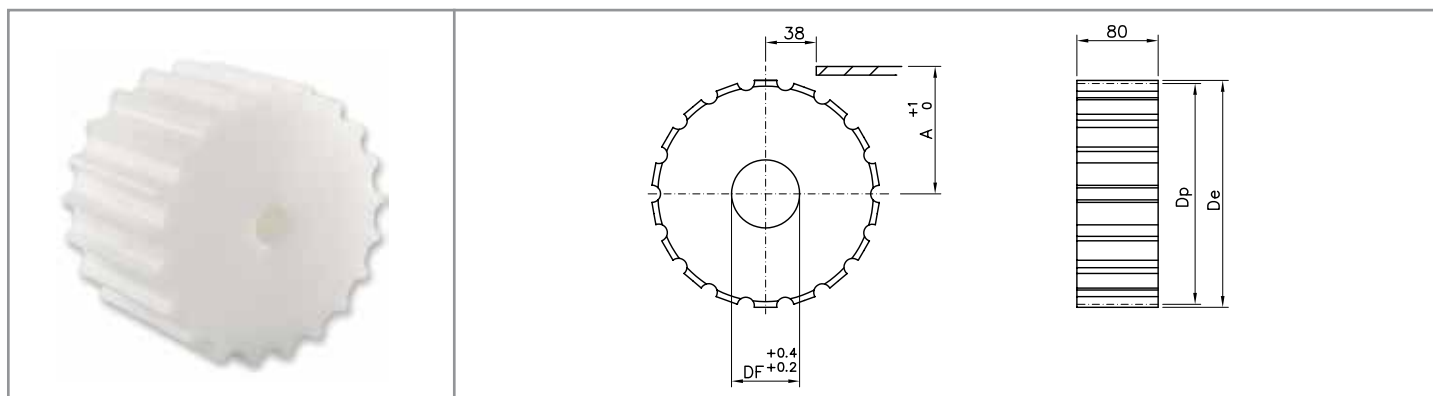
## 821 / LBP 821 SERIES



### Split idler wheels

material: polyamide - screws in stainless steel

DIMENSIONS				PRODUCT CODE			
Z	De	Dp	A	DF 25	DF 30	DF 35	DF 40
19	117.0	117.34	61.9	R11719 25	R11719 30	R11719 35	R11719 40
21	129.0	129.26	67.8	R11721 25	R11721 30	R11721 35	R11721 40
23	142.0	141.21	73.8	R11723 25	R11723 30	R11723 35	R11723 40
25	154.0	153.21	79.8	R11725 25	R11725 30	R11725 35	R11725 40
27	166.8	165.20	85.8	R11727 25	R11727 30	R11727 35	R11727 40
29	178.5	177.24	91.8	R11729 25	R11729 30	R11729 35	R11729 40



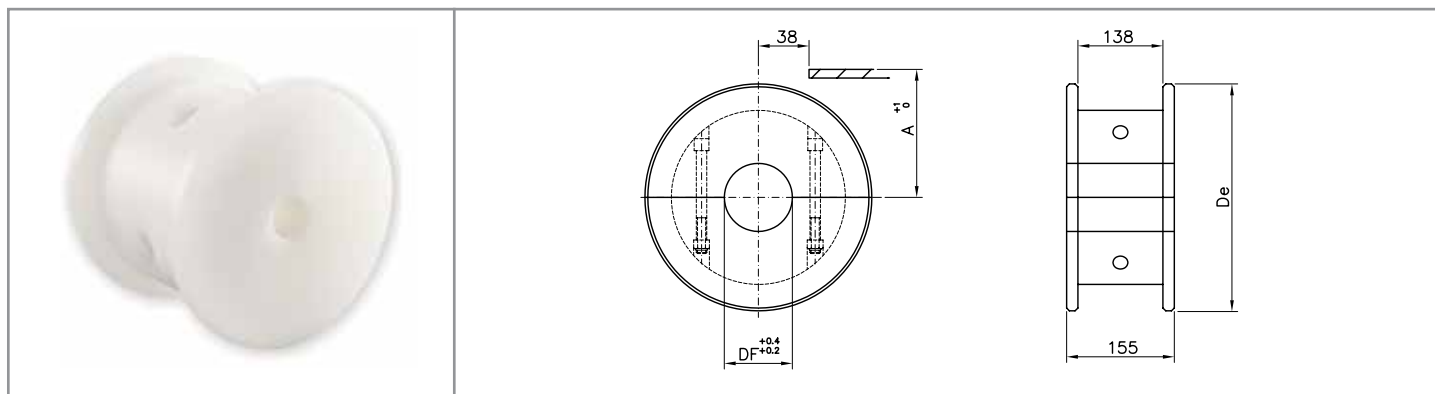
### Standard idler wheels

material: polyamide

DIMENSIONS				PRODUCT CODE			
Z	De	Dp	A	DF 25	DF 30	DF 35	DF 40
19	117.0	117.34	61.9	R01719 25	R01719 30	R01719 35	R01719 40
21	129.0	129.26	67.8	R01721 25	R01721 30	R01721 35	R01721 40
23	142.0	141.21	73.8	R01723 25	R01723 30	R01723 35	R01723 40
25	154.0	153.21	79.8	R01725 25	R01725 30	R01725 35	R01725 40
27	166.8	165.20	85.8	R01727 25	R01727 30	R01727 35	R01727 40
29	178.5	177.24	91.8	R01729 25	R01729 30	R01729 35	R01729 40

# machined idler wheels

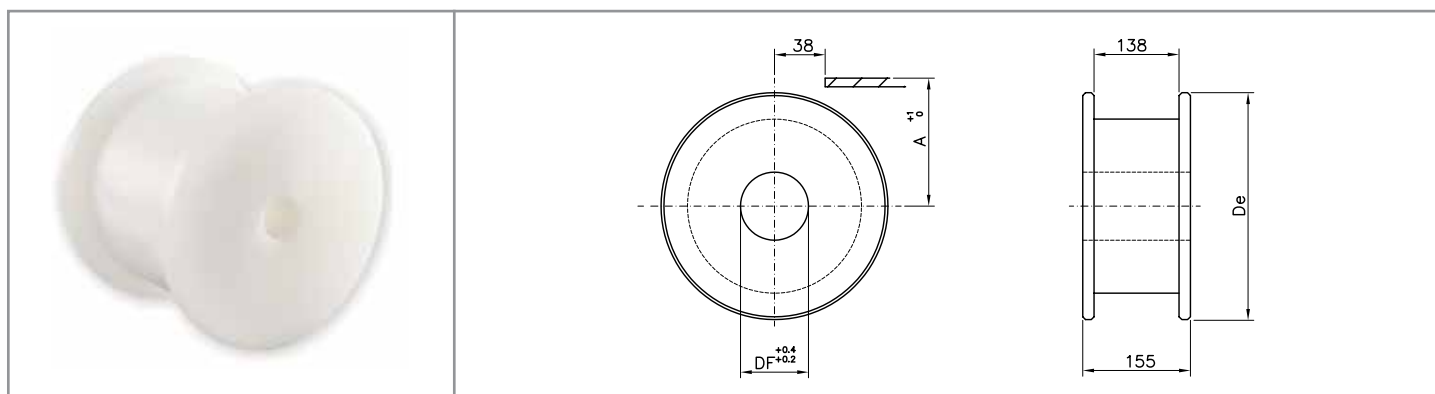
## 821 / LBP 821 SERIES



### Split idler wheels

material: polyamide - screws in stainless steel

DIMENSIONS			PRODUCT CODE		
Z eq.	De	A	DF 30	DF 35	DF 40
19	117.0	62.6	P11719 30	P11719 35	P11719 40
21	129.8	68.6	P11721 30	P11721 35	P11721 40
23	142.2	74.6	P11723 30	P11723 35	P11723 40
25	154.7	80.5	P11725 30	P11725 35	P11725 40



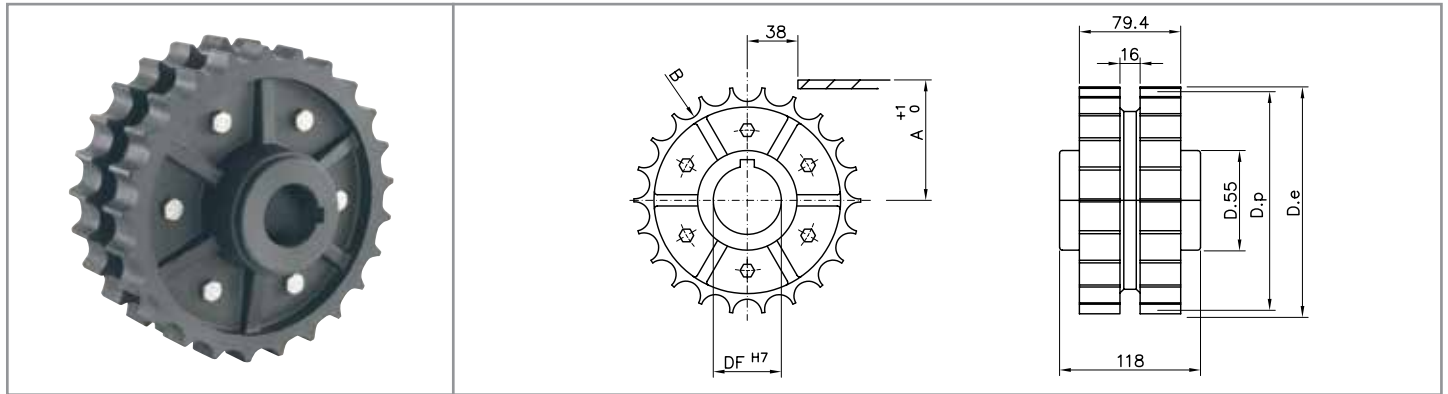
### Standard idler wheels

material: polyamide

DIMENSIONS			PRODUCT CODE		
Z eq.	De	A	DF 30	DF 35	DF 40
19	117.0	62.6	P01719 30	P01719 35	P01719 40
21	129.8	68.6	P01721 30	P01721 35	P01721 40
23	142.2	74.6	P01723 30	P01723 35	P01723 40
25	154.7	80.5	P01725 30	P01725 35	P01725 40

# injected sprockets and idler wheels

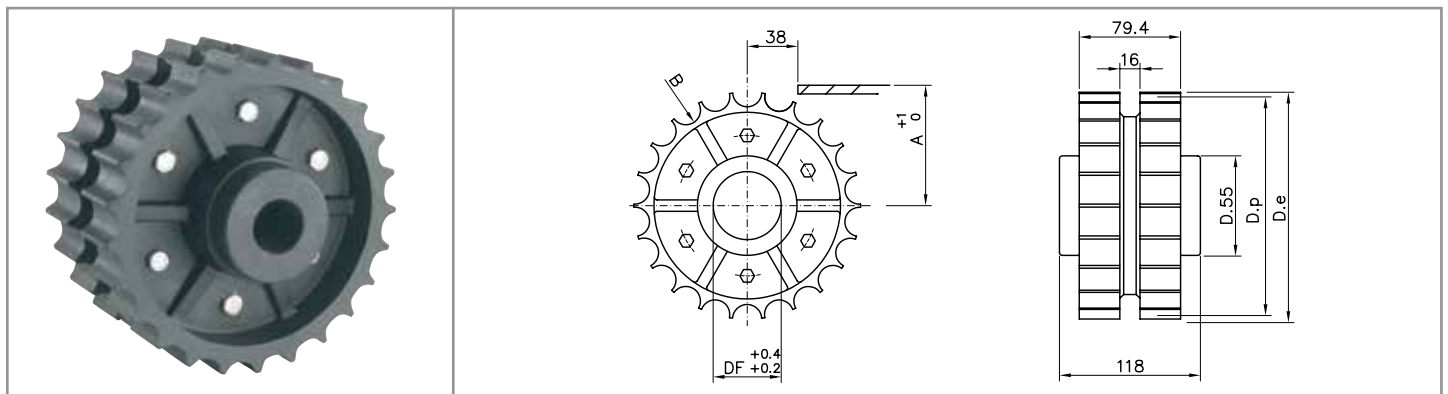
## 821 / LBP 821 SERIES



### Drive sprockets

material: reinforced polyamide - screws in stainless steel - UNI 6604 - 69 key seat

DIMENSIONS					PRODUCT CODE			
Z	De	Dp	A	B	DF 25	DF 30	DF 35	DF 40
25	154.0	153.2	79.8	140.1	S00725 25	S00725 30	S00725 35	S00725 40



### Standard idler wheels

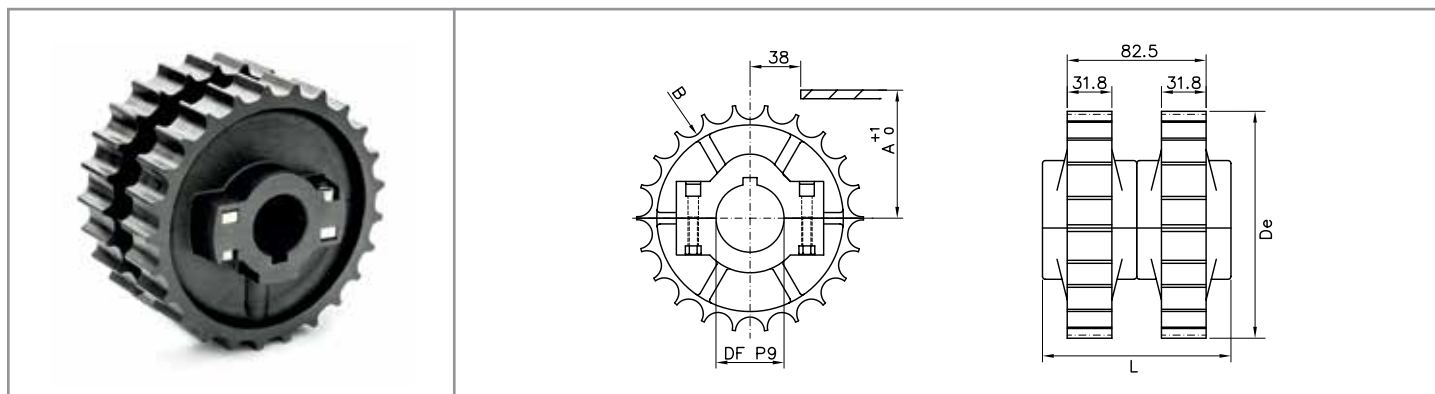
material: polyamide - screws in stainless steel - nuts in nickel plated brass

DIMENSIONS					PRODUCT CODE			
Z	De	Dp	A	B	DF 25	DF 30	DF 35	DF 40
25	154.0	153.2	79.8	140.1	R00725 25	R00725 30	R00725 35	R00725 40



# injected sprockets and idler wheels

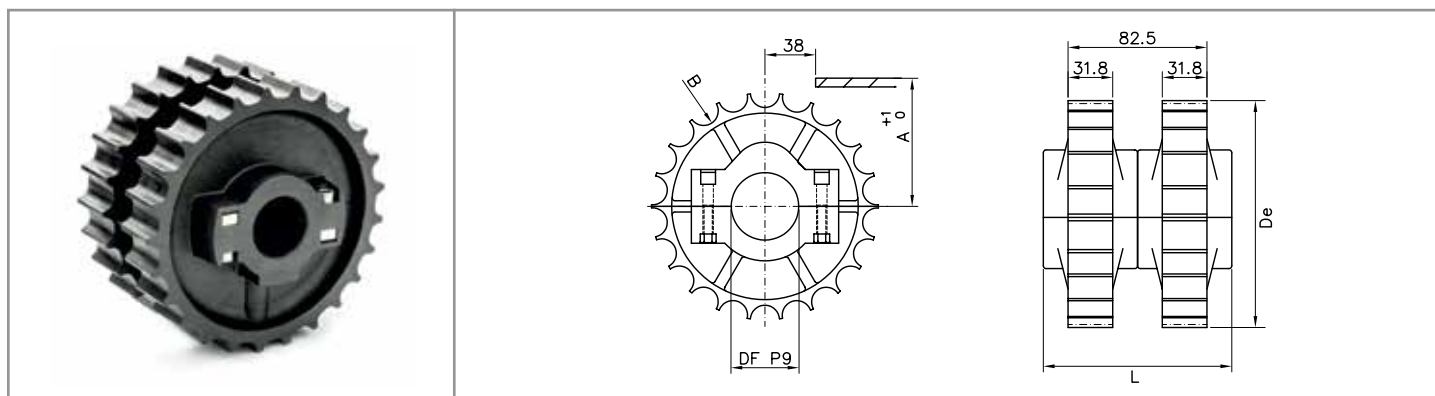
## 821 / LBP 821 SERIES



### Split sprockets

material: reinforced polyamide - screws in stainless steel - nuts in nickel plated brass - UNI 6604 - 69 key seat

DIMENSIONS						PRODUCT CODE		
Z	De	Dp	A	B	L	DF 35	DF 40	DF 45
21	129.5	129.26	67.8	140.1	102.0	S10721 35	S10721 40	S10721 45
23	142.0	141.22	73.8	140.1	102.0	S10723 35	S10723 40	S10723 45
25	154.2	153.21	79.8	140.1	117.0	S10725 35	S10725 40	S10725 45



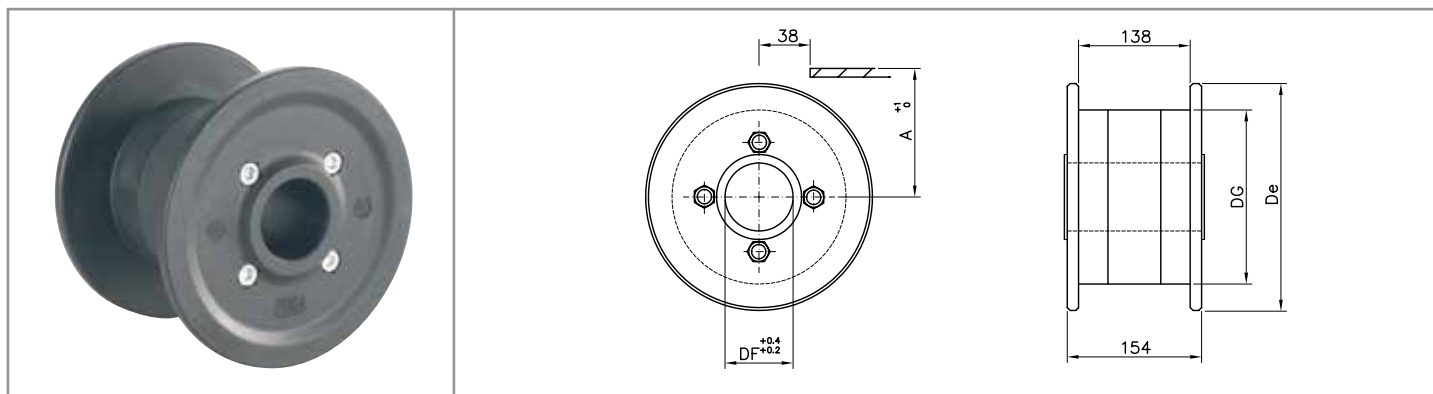
### Split idler wheels

material: reinforced polyamide - screws in stainless steel - nuts in nickel plated brass

DIMENSIONS						PRODUCT CODE		
Z	De	Dp	A	B	L	DF 35	DF 40	DF 45
21	129.5	129.26	67.8	140.1	102.0	R10721 35	R10721 40	R10721 45
23	142.0	141.22	73.8	140.1	102.0	R10723 35	R10723 40	R10723 45
25	154.2	153.21	79.8	140.1	117.0	R10725 35	R10725 40	R10725 45

# injected idler wheels

821 / LBP 821 SERIES



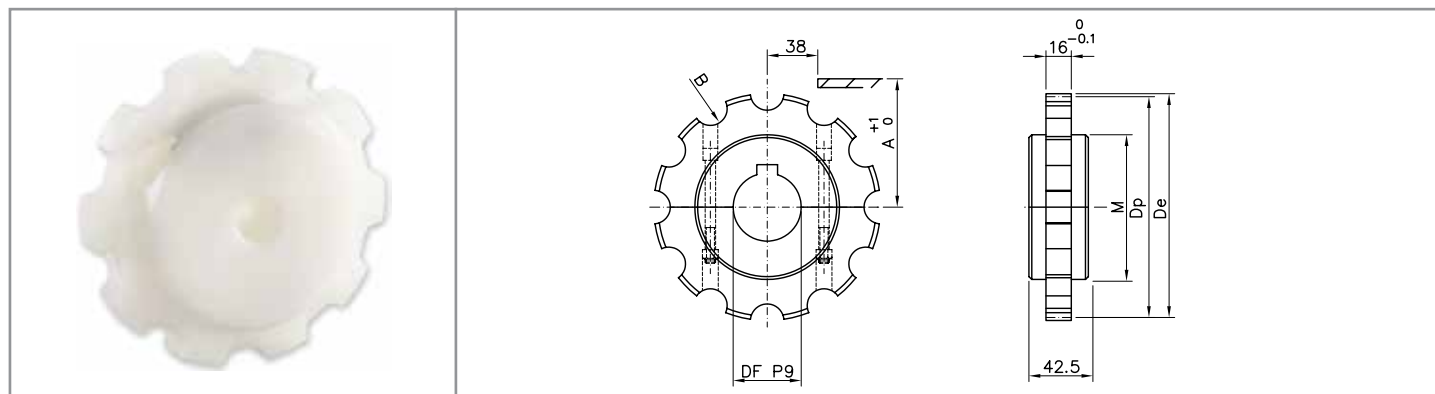
## Standard idler wheels

material: self-lubricating polyamide - screws in zinc plated steel / colour: black

DIMENSIONS				PRODUCT CODE			
Z eq.	De	DG	A	DF 25	DF 30	DF 35	DF 40
19	118.0	80.0	62.6	K00719 25	K00719 30	K00719 35	K00719 40
21	128.0	80.0	68.6	K00721 25	K00721 30	K00721 35	K00721 40
23	142.5	108.0	74.6	K00723 25	K00723 30	K00723 35	K00723 40
25	155.0	108.0	80.5	K00725 25	K00725 30	K00725 35	K00725 40

# machined sprockets

878 TAB / 879 / 879 TAB / 879 M / 880 / 880TAB / 880 M SERIES

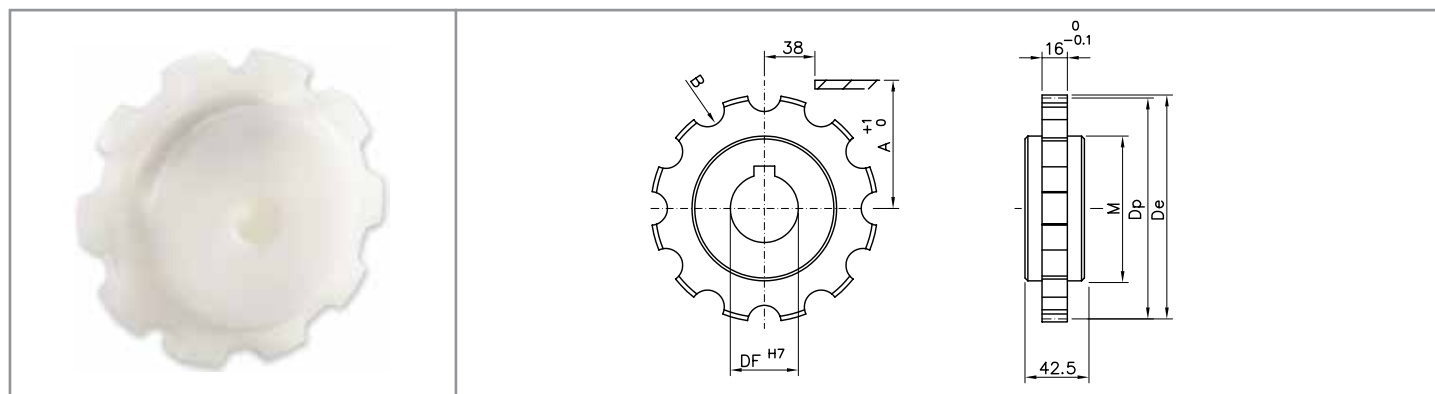


## Split sprockets

material: polyamide - screws in stainless steel - UNI 6604-69 key seat

DIMENSIONS						PRODUCT CODE				
Z	De	Dp	A	B	M	DF 18*	DF 25	DF 30	DF 35	DF 40
09	110.0	111.4	59.3	95.0	75.0	S11809 18	S11809 25	S11809 30	S11809 35	S11809 40
10	122.0	123.3	65.25	107.0	85.0	S11810 18	S11810 25	S11810 30	S11810 35	S11810 40
11	135.0	135.2	71.2	119.0	90.0	S11811 18	S11811 25	S11811 30	S11811 35	S11811 40
12	147.3	147.2	77.2	131.0	95.0	S11812 18	S11812 25	S11812 30	S11812 35	S11812 40

\* plain bore



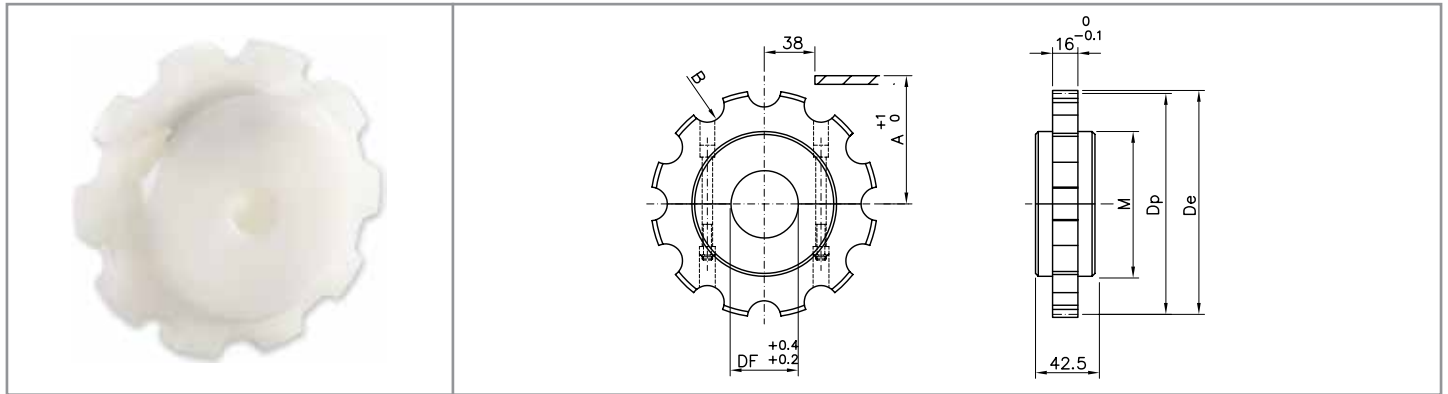
## Standard sprockets

material: polyamide - UNI 6604-69 key seat

DIMENSIONS						PRODUCT CODE			
Z	De	Dp	A	B	M	DF 25	DF 30	DF 35	DF 40
09	110.0	111.4	59.3	95.0	75.0	S01809 25	S01809 30	S01809 35	S01809 40
10	122.0	123.3	65.25	107.0	85.0	S01810 25	S01810 30	S01810 35	S01810 40
11	135.0	135.2	71.2	119.0	90.0	S01811 25	S01811 30	S01811 35	S01811 40
12	147.3	147.2	77.2	131.0	95.0	S01812 25	S01812 30	S01812 35	S01812 40

# machined idler wheels

878 TAB / 879 / 879 TAB / 879 M / 880 / 880TAB / 880 M SERIES

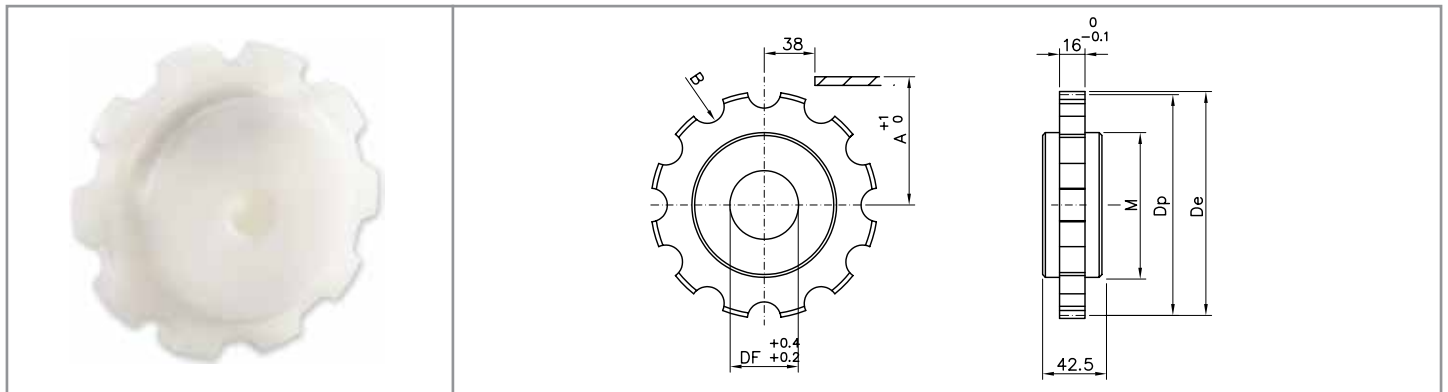


## Split idler wheels

material: polyamide - screws in stainless steel

DIMENSIONS						PRODUCT CODE				
Z	De	Dp	A	B	M	DF 18*	DF 25	DF 30	DF 35	DF 40
09	110.0	111.4	59.3	95.0	75.0	R11809 18	R11809 25	R11809 30	R11809 35	R11809 40
10	122.0	123.3	65.25	107.0	85.0	R11810 18	R11810 25	R11810 30	R11810 35	R11810 40
11	135.0	135.2	71.2	119.0	90.0	R11811 18	R11811 25	R11811 30	R11811 35	R11811 40
12	147.3	147.2	77.2	131.0	95.0	R11812 18	R11812 25	R11812 30	R11812 35	R11812 40

\* plain bore



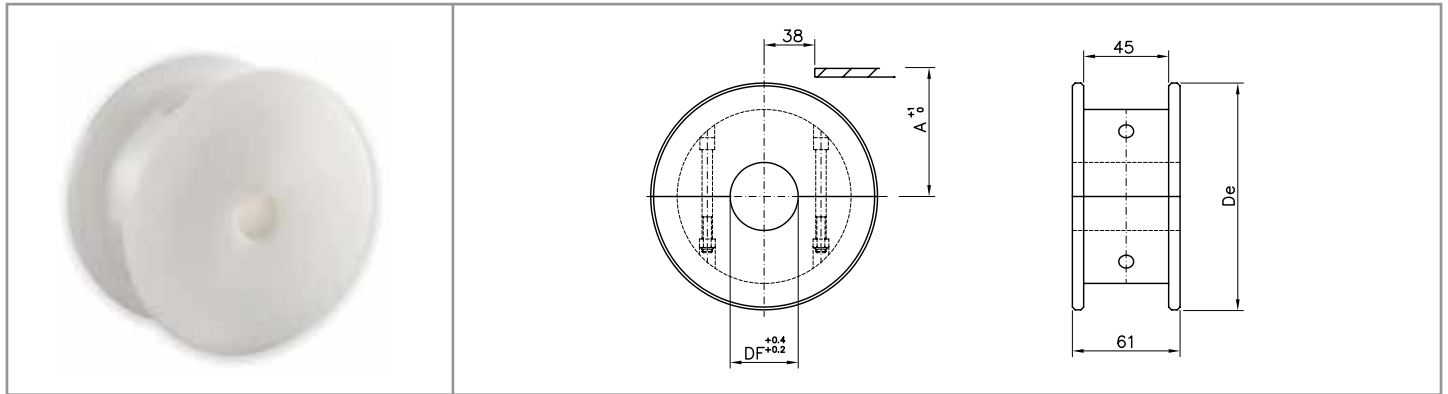
## Standard idler wheels

material: polyamide

DIMENSIONS						PRODUCT CODE			
Z	De	Dp	A	B	M	DF 25	DF 30	DF 35	DF 40
09	110.0	111.4	59.3	95.0	75.0	R01809 25	R01809 30	R01809 35	R01809 40
10	122.0	123.3	65.25	107.0	85.0	R01810 25	R01810 30	R01810 35	R01810 40
11	135.0	135.2	71.2	119.0	90.0	R01811 25	R01811 30	R01811 35	R01811 40
12	147.3	147.2	77.2	131.0	95.0	R01812 25	R01812 30	R01812 35	R01812 40

# machined idler wheels

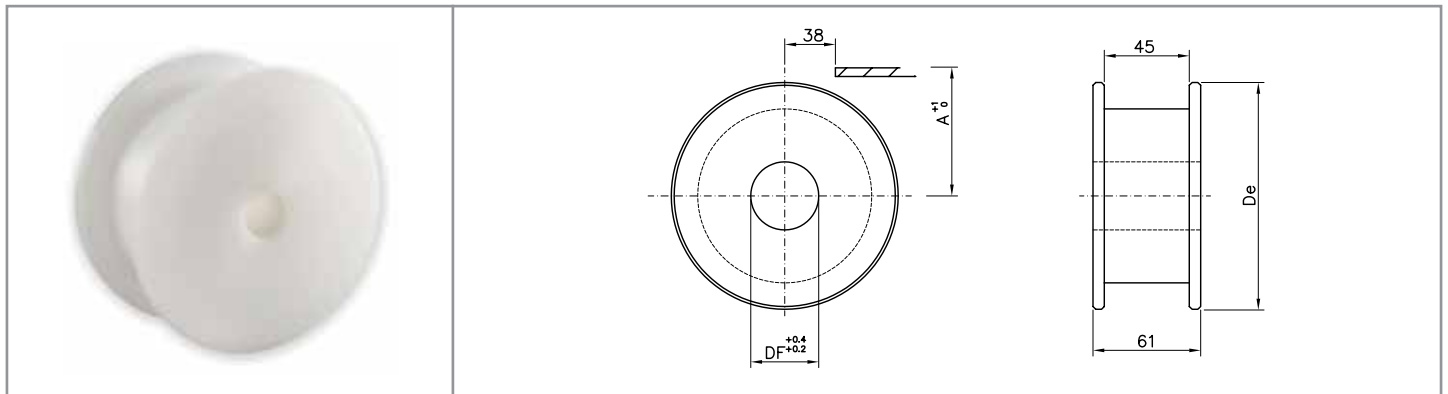
879 / 879 M / 880 / 880 M SERIES



## Split idler wheels

material: polyamide - screws in stainless steel

DIMENSIONS			PRODUCT CODE				
Z eq.	De	A	DF 20	DF 25	DF 30	DF 35	DF 40
9	117.0	62.6	P11609 20	P11609 25	P11609 30	P11609 35	P11609 40
10	129.8	68.6	P11610 20	P11610 25	P11610 30	P11610 35	P11610 40
11	142.2	74.6	P11611 20	P11611 25	P11611 30	P11611 35	P11611 40
12	154.7	80.5	P11612 20	P11612 25	P11612 30	P11612 35	P11612 40



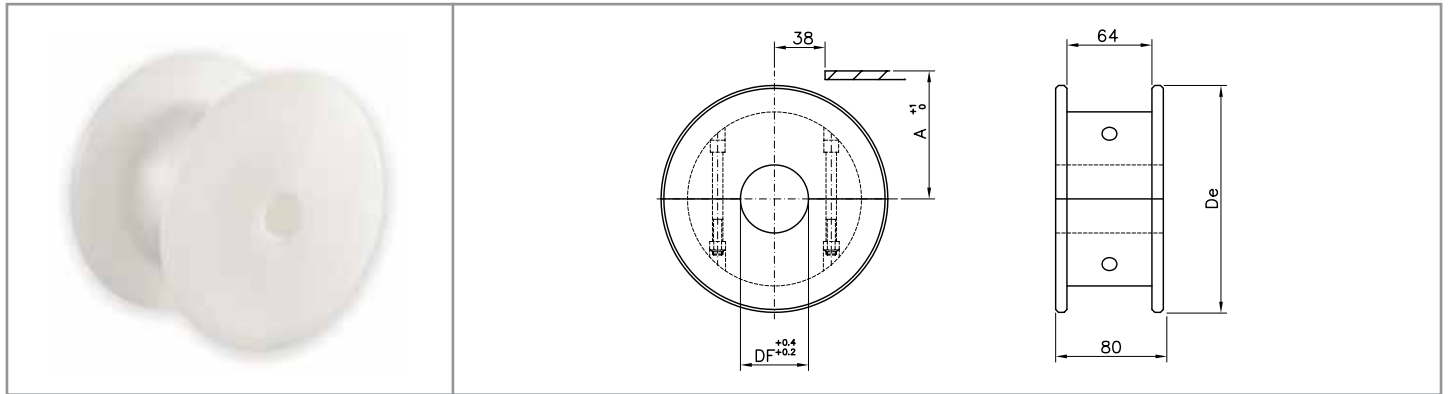
## Standard idler wheels

material: polyamide

DIMENSIONS			PRODUCT CODE				
Z eq.	De	A	DF 20	DF 25	DF 30	DF 35	DF 40
9	117.0	62.6	P01609 20	P01609 25	P01609 30	P01609 35	P01609 40
10	129.8	68.6	P01610 20	P01610 25	P01610 30	P01610 35	P01610 40
11	142.2	74.6	P01611 20	P01611 25	P01611 30	P01611 35	P01611 40
12	154.7	80.5	P01612 20	P01612 25	P01612 30	P01612 35	P01612 40

# machined idler wheels

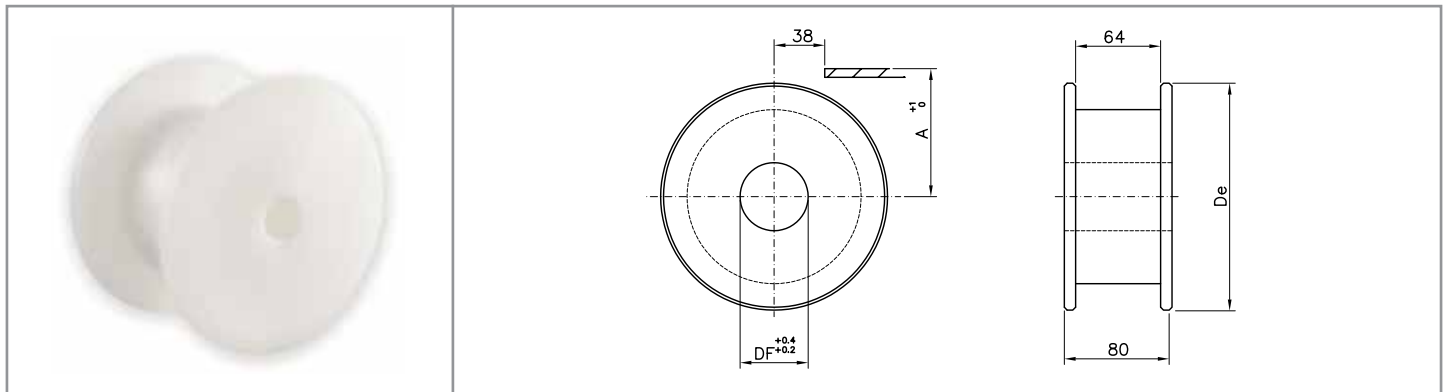
878 TAB / 879 TAB / 880 TAB SERIES



## Split idler wheels

material: polyamide - screws in stainless steel

DIMENSIONS			PRODUCT CODE				
Z eq.	De	A	DF 20	DF 25	DF 30	DF 35	DF 40
9	117.0	62.1	B11809 20	B11809 25	B11809 30	B11809 35	B11809 40
10	129.8	68.5	B11810 20	B11810 25	B11810 30	B11810 35	B11810 40
11	142.2	74.7	B11811 20	B11811 25	B11811 30	B11811 35	B11811 40
12	154.7	80.9	B11812 20	B11812 25	B11812 30	B11812 35	B11812 40



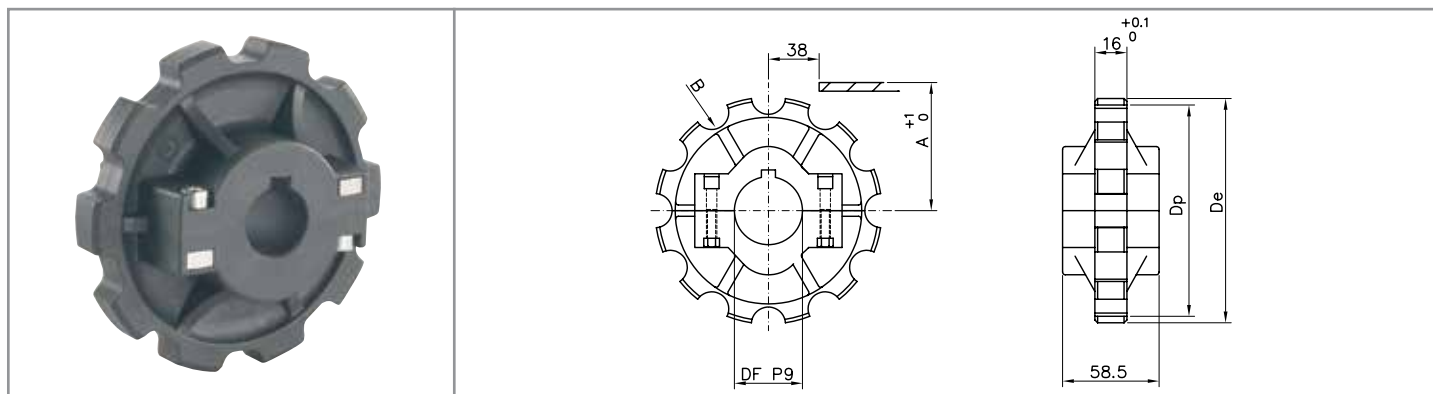
## Standard idler wheels

material: polyamide

DIMENSIONS			PRODUCT CODE				
Z eq.	De	A	DF 20	DF 25	DF 30	DF 35	DF 40
9	117.0	62.1	B01809 20	B01809 25	B01809 30	B01809 35	B01809 40
10	129.8	68.5	B01810 20	B01810 25	B01810 30	B01810 35	B01810 40
11	142.2	74.7	B01811 20	B01811 25	B01811 30	B01811 35	B01811 40
12	154.7	80.9	B01812 20	B01812 25	B01812 30	B01812 35	B01812 40

# injected sprockets and idler wheels

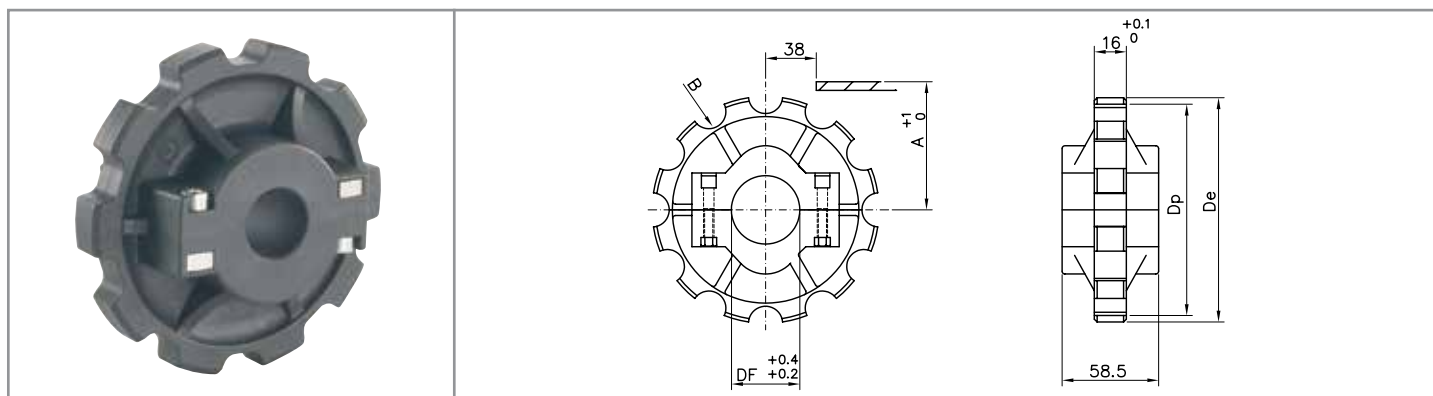
878 TAB / 879 TAB / 880 TAB SERIES



## Split sprockets

material: reinforced polyamide - screws in stainless steel, nuts in nickel plated brass / UNI 6604-69 key seat

DIMENSIONS					PRODUCT CODE			
Z	De	Dp	A	B	DF 25	DF 30	DF 35	DF 40
10	122.0	123.3	65.25	107.0	S10810 25	S10810 30	S10810 35	S10810 40
12	147.0	146.8	77.2	131.0	S10812 25	S10812 30	S10812 35	S10812 40



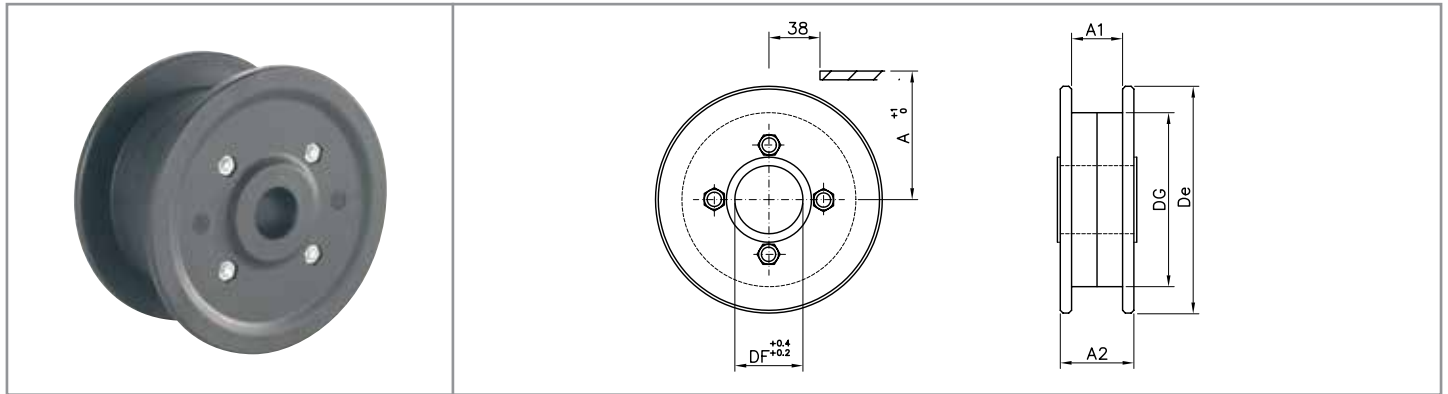
## Split idler wheels

material: polyamide - screws in stainless steel, nuts in nickel plated brass

DIMENSIONS					PRODUCT CODE			
Z	De	Dp	A	B	DF 25	DF 30	DF 35	DF 40
10	122.0	123.3	65.25	107.0	R10810 25	R10810 30	R10810 35	R10810 40
12	147.0	146.8	77.2	131.0	R10812 25	R10812 30	R10812 35	R10812 40

# injected idler wheels

## 879 / 879 M / 880 / 880 M SERIES

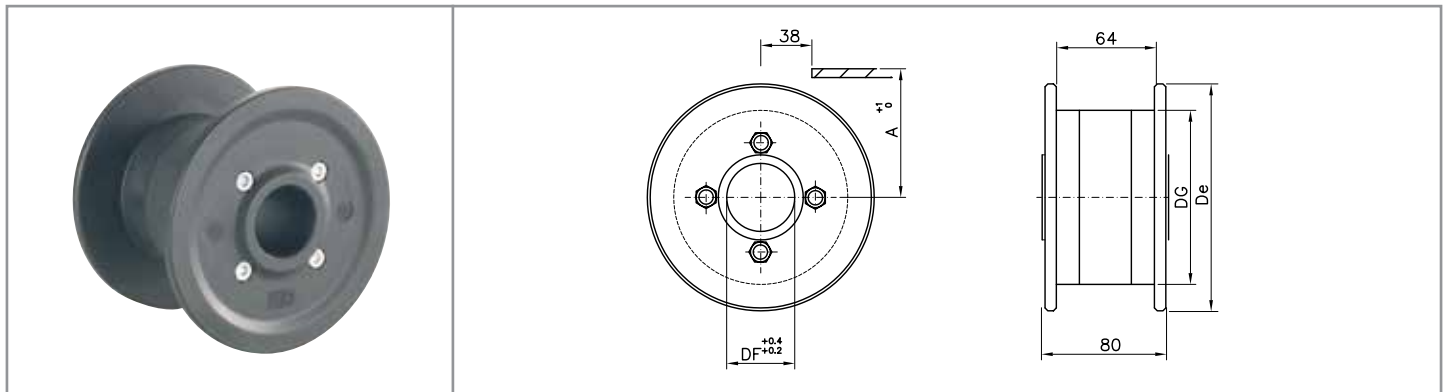


### Idler wheels

material: self-lubricating polyamide - screws in zinc plated steel

DIMENSIONS						PRODUCT CODE			
Z eq.	De	DG	A	A1	A2	DF 25	DF 30	DF 35	DF 40
08	106.0	71.0	56.2	44.0	52.0	K00608 25	K00608 30	/	/
09	118.0	80.0	62.6	44.0	60.0	K00609 25	K00609 30	K00609 35	K00609 40
10	129.8	80.0	68.6	44.0	60.0	K00610 25	K00610 30	K00610 35	K00610 40
11	142.5	108.0	74.6	44.0	60.0	K00611 25	K00611 30	K00611 35	K00611 40
12	155.0	108.0	80.5	44.0	60.0	K00612 25	K00612 30	K00612 35	K00612 40

## 878 TAB / 879 TAB / 880 TAB SERIES



### Idler wheels

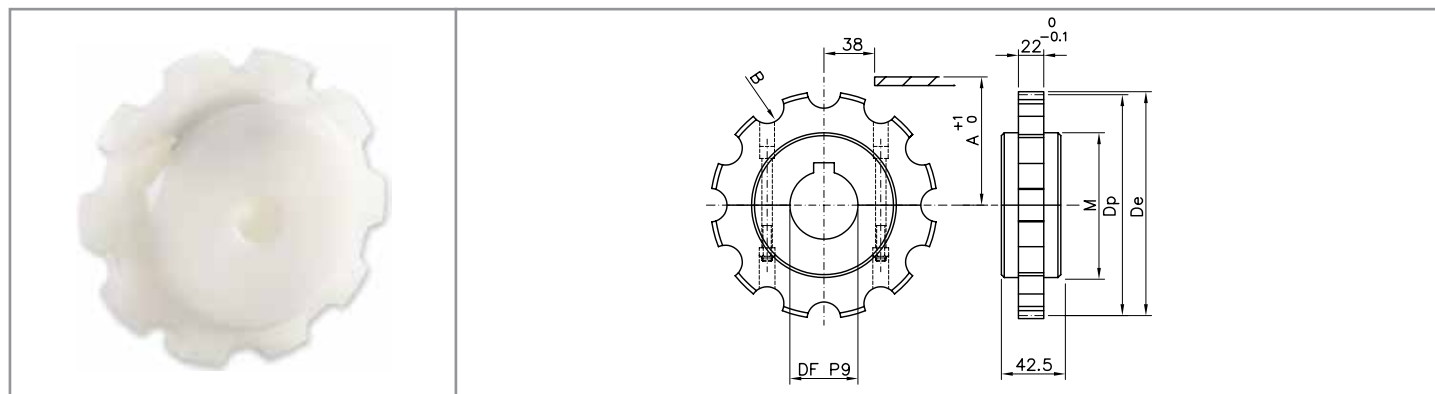
material: self-lubricating polyamide - screws in zinc plated steel

DIMENSIONS				PRODUCT CODE			
Z eq.	De	DG	A	DF 25	DF 30	DF 35	DF 40
09	118.0	80.0	62.6	T00809 25	T00809 30	T00809 35	T00809 40
10	129.8	80.0	68.6	T00810 25	T00810 30	T00810 35	T00810 40
11	142.5	108.0	74.6	T00811 25	T00811 30	T00811 35	T00811 40
12	155.0	108.0	80.5	T00812 25	T00812 30	T00812 35	T00812 40



# machined sprockets

882 / 882 TAB / 882 M / 8257 / LBP8257 / LBP882M / LBP882TAB Series

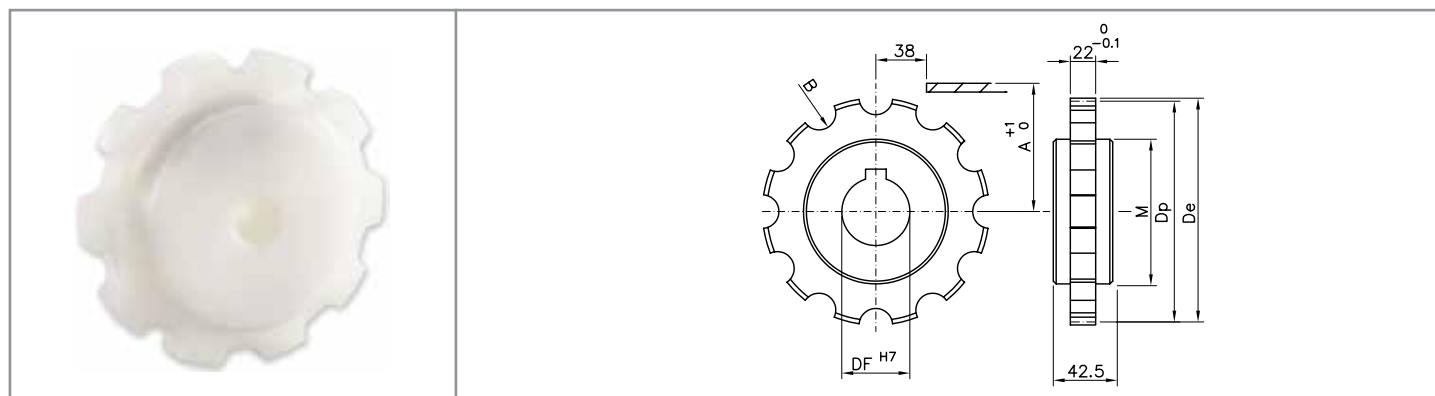


## Split sprockets

material: polyamide - screws in stainless steel - UNI 6604-69 key seat

DIMENSIONS						PRODUCT CODE				
Z	De	Dp	A	B	M	DF 18*	DF 25	DF 30	DF 35	DF 40
09	112.0	111.4	60.5	92.1	60.0	S11909 18	S11909 25	S11909 30	S11909 35	S11909 40
10	125.0	123.2	66.4	104.0	75.0	S11910 18	S11910 25	S11910 30	S11910 35	S11910 40
11	137.0	135.2	72.4	116.0	85.0	S11911 18	S11911 25	S11911 30	S11911 35	S11911 40
12	149.0	147.2	78.4	127.9	90.0	S11912 18	S11912 25	S11912 30	S11912 35	S11912 40

\* plain bore



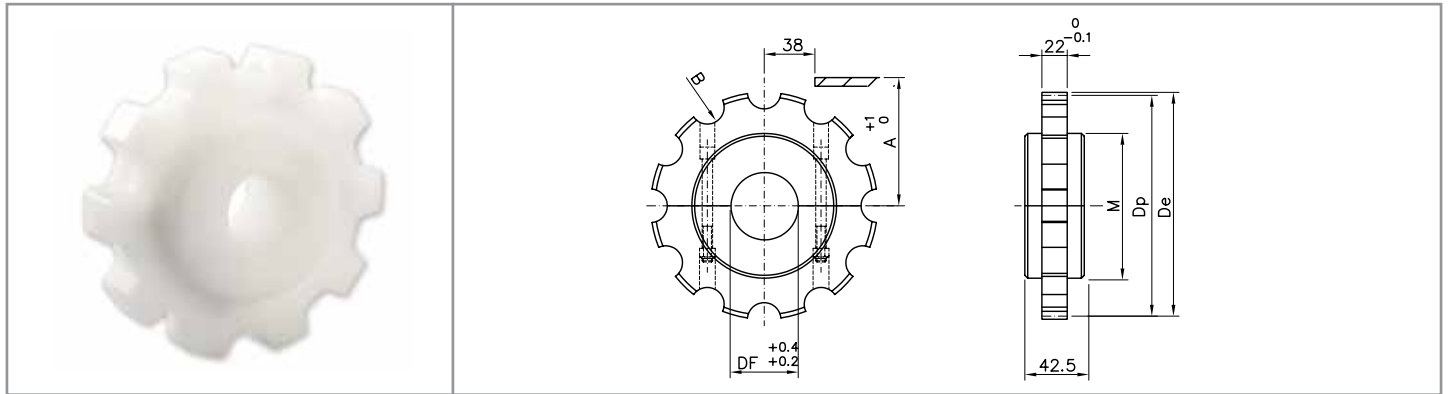
## Standard sprockets

material: polyamide - UNI 6604-69 key seat

DIMENSIONS						PRODUCT CODE		
Z	De	Dp	A	B	M	DF 30	DF 35	DF 40
09	112.0	111.4	60.5	92.1	60.0	S01909 30	S01909 35	S01909 40
10	125.0	123.2	66.4	104.0	75.0	S01910 30	S01910 35	S01910 40
11	137.0	135.2	72.4	116.0	85.0	S01911 30	S01911 35	S01911 40
12	149.0	147.2	78.4	127.9	90.0	S01912 30	S01912 35	S01912 40

# machined idler wheels

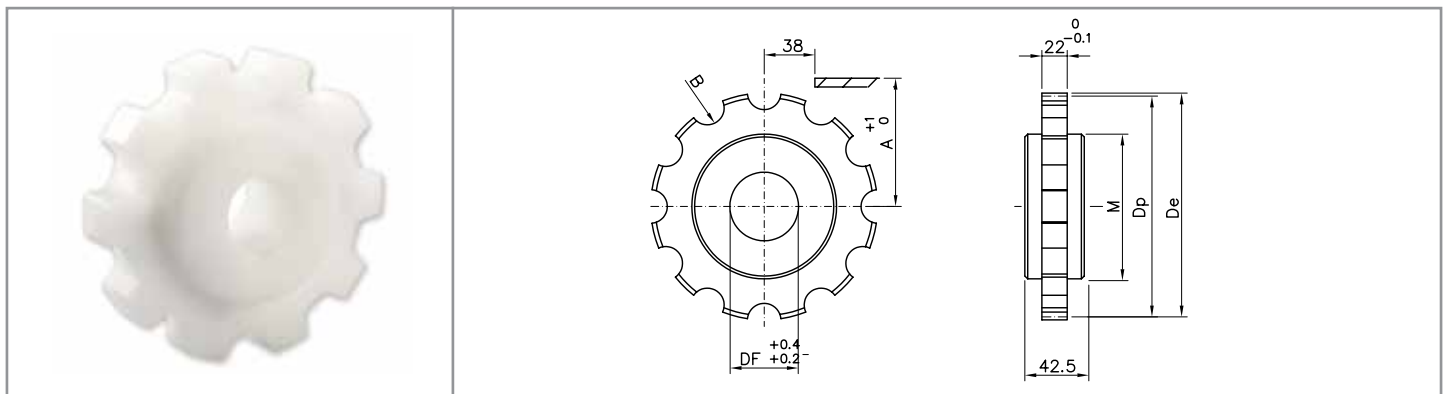
882 / 882 TAB / 882 M / 8257 / LBP8257 / LBP882M / LBP882TAB Series



## Split idler wheels

material: polyamide - screws in stainless steel

DIMENSIONS						PRODUCT CODE		
Z	De	Dp	A	B	M	DF 30	DF 35	DF 40
09	112.0	111.4	60.5	92.1	60.0	R11909 30	R11909 35	R11909 40
10	125.0	123.2	66.4	104.0	75.0	R11910 30	R11910 35	R11910 40
11	137.0	135.2	72.4	116.0	85.0	R11911 30	R11911 35	R11911 40
12	149.0	147.2	78.4	127.9	90.0	R11912 30	R11912 35	R11912 40



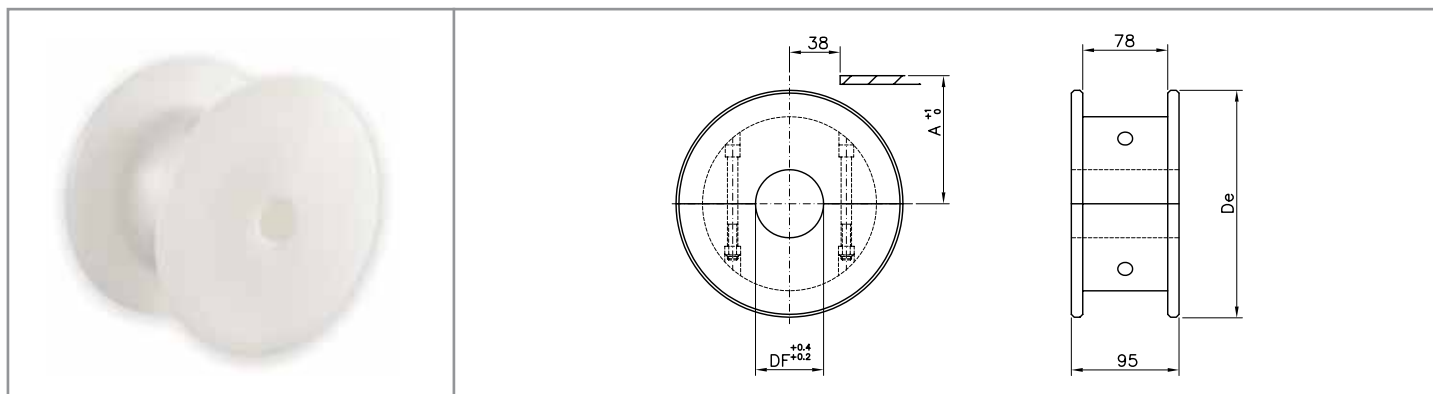
## Standard idler wheels

material: polyamide

DIMENSIONS						PRODUCT CODE		
Z	De	Dp	A	B	M	DF 30	DF 35	DF 40
09	112.0	111.4	60.5	92.1	60.0	R01909 30	R01909 35	R01909 40
10	125.0	123.2	66.4	104.0	75.0	R01910 30	R01910 35	R01910 40
11	137.0	135.2	72.4	116.0	85.0	R01911 30	R01911 35	R01911 40
12	149.0	147.2	78.4	127.9	90.0	R01912 30	R01912 35	R01912 40

# machined idler wheels

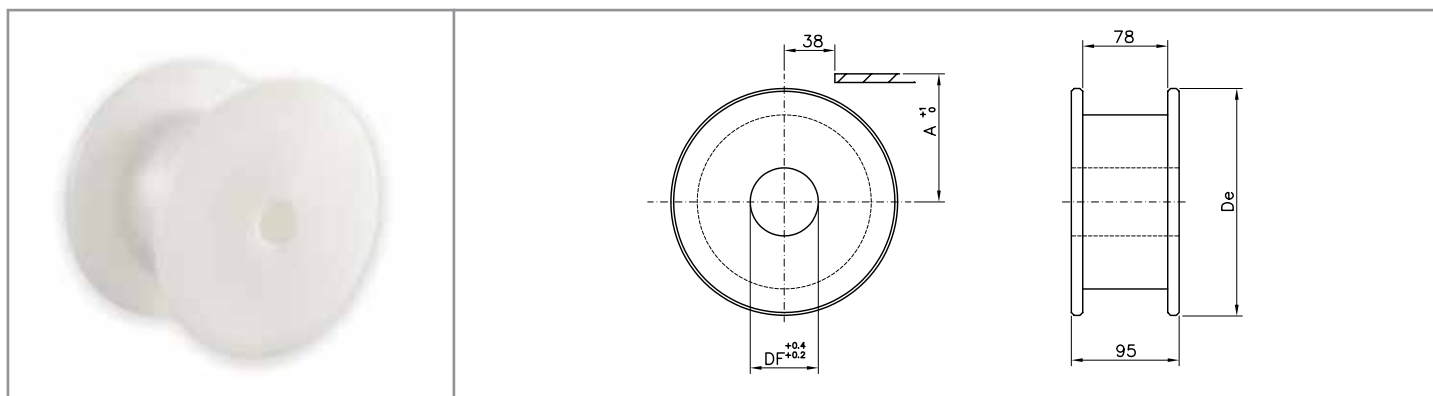
## 882 TAB / LBP882TAB SERIES



### Split idler wheels

material: polyamide - screws in stainless steel

DIMENSIONS			PRODUCT CODE				
Z eq.	De	A	DF 20	DF 25	DF 30	DF 35	DF 40
9	117.0	63.8	B11909 20	B11909 25	B11909 30	B11909 35	B11909 40
10	129.8	69.5	B11910 20	B11910 25	B11910 30	B11910 35	B11910 40
11	142.2	75.9	B11911 20	B11911 25	B11911 30	B11911 35	B11911 40
12	154.7	82.1	B11912 20	B11912 25	B11912 30	B11912 35	B11912 40



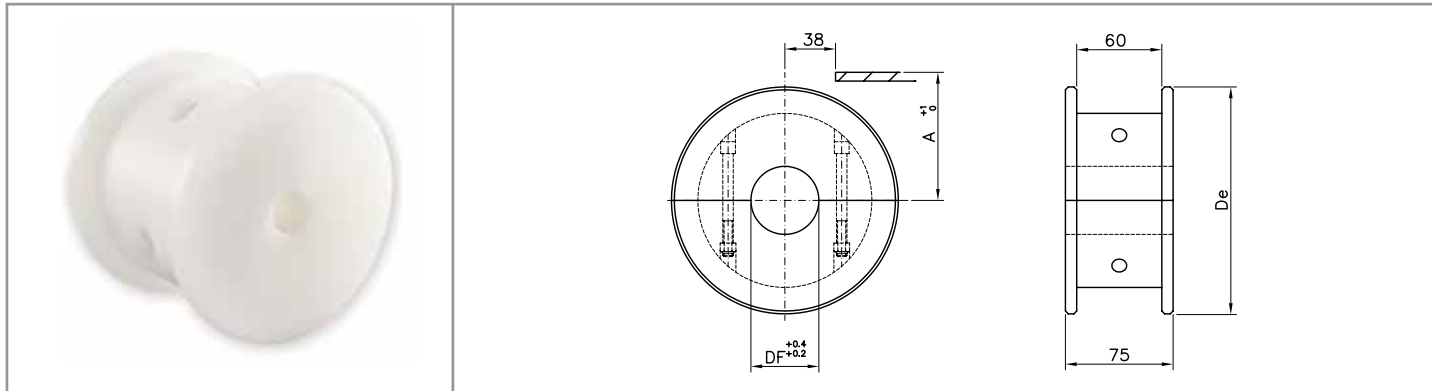
### Standard idler wheels

material: polyamide

DIMENSIONS			PRODUCT CODE				
Z eq.	De	A	DF 20	DF 25	DF 30	DF 35	DF 40
9	117.0	63.8	B01909 20	B01909 25	B01909 30	B01909 35	B01909 40
10	129.8	69.5	B01910 20	B01910 25	B01910 30	B01910 35	B01910 40
11	142.2	75.9	B01911 20	B01911 25	B01911 30	B01911 35	B01911 40
12	154.7	82.1	B01912 20	B01912 25	B01912 30	B01912 35	B01912 40

# machined idler wheels

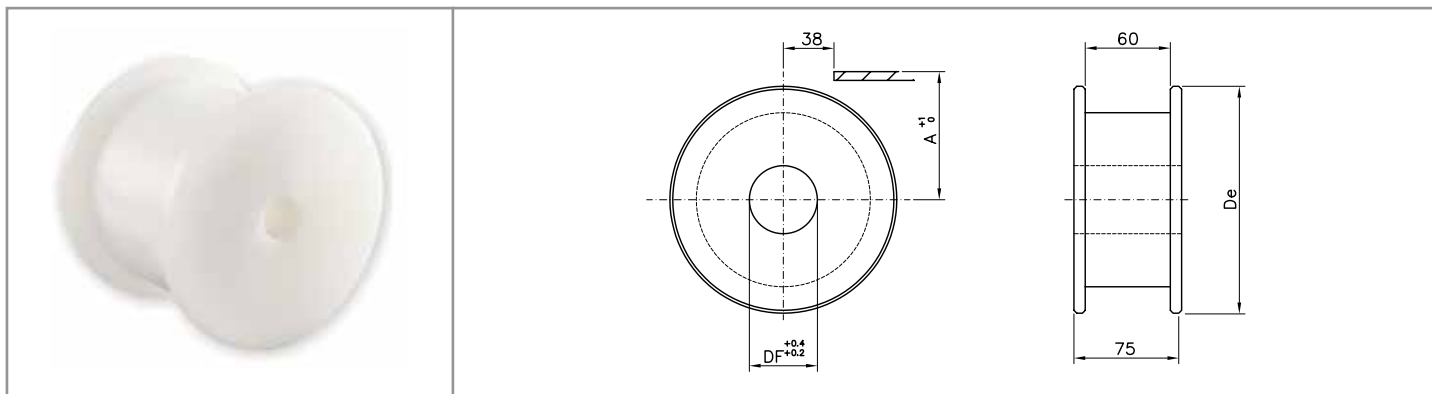
882 M / 8257 / LBP8257 / LBP882M SERIES



## Split idler wheels

material: polyamide - screws in stainless steel

DIMENSIONS			PRODUCT CODE				
Z eq.	De	A	DF 20	DF 25	DF 30	DF 35	DF 40
17	104.0	56.2	P11417 20	P11417 25	P11417 30	P11417 35	P11417 40
19	117.0	62.6	P11419 20	P11419 25	P11419 30	P11419 35	P11419 40
21	129.8	68.6	P11421 20	P11421 25	P11421 30	P11421 35	P11421 40
23	142.2	74.6	P11423 20	P11423 25	P11423 30	P11423 35	P11423 40
25	154.7	80.5	P11425 20	P11425 25	P11425 30	P11425 35	P11425 40
27	167.2	86.5	P11427 20	P11427 25	P11427 30	P11427 35	P11427 40
29	179.3	92.8	P11429 20	P11429 25	P11429 30	P11429 35	P11429 40



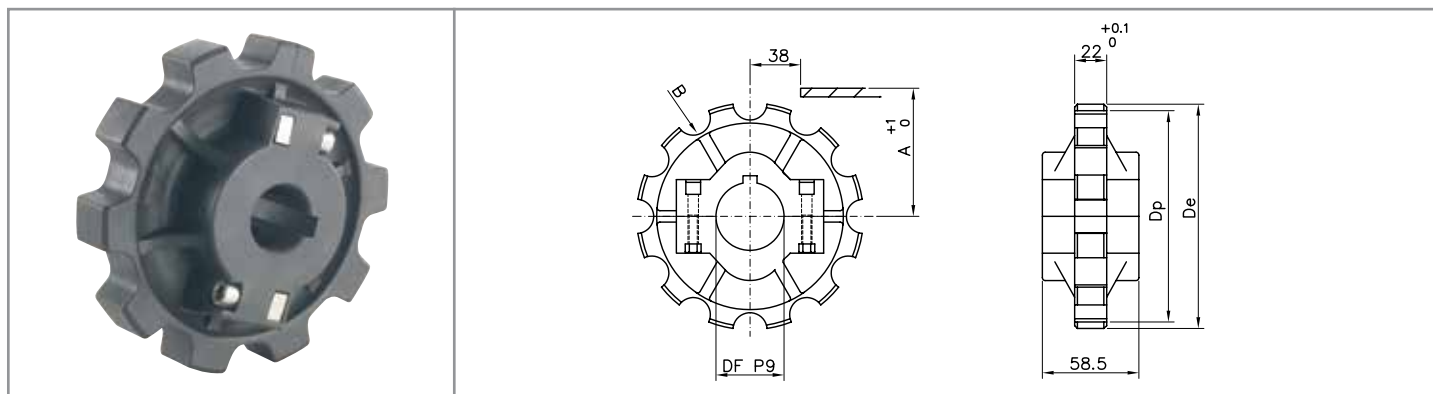
## Standard idler wheels

material: polyamide

DIMENSIONS			PRODUCT CODE				
Z eq.	De	A	DF 20	DF 25	DF 30	DF 35	DF 40
17	104.0	56.2	P01417 20	P01417 25	P01417 30	P01417 35	P01417 40
19	117.0	62.6	P01419 20	P01419 25	P01419 30	P01419 35	P01419 40
21	129.8	68.6	P01421 20	P01421 25	P01421 30	P01421 35	P01421 40
23	142.2	74.6	P01423 20	P01423 25	P01423 30	P01423 35	P01423 40
25	154.7	80.5	P01425 20	P01425 25	P01425 30	P01425 35	P01425 40
27	167.2	86.5	P01427 20	P01427 25	P01427 30	P01427 35	P01427 40
29	179.3	92.8	P01429 20	P01429 25	P01429 30	P01429 35	P01429 40

# injected sprockets and idler wheels

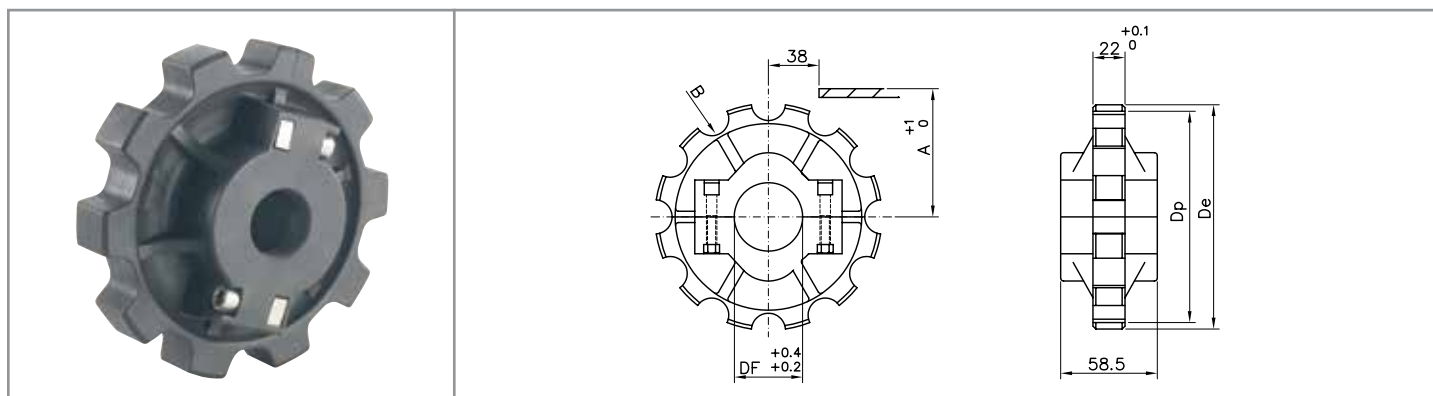
882 / 882 TAB / 882 M / LBP 8257 SERIES



## Split sprockets

material: reinforced polyamide - screws in stainless steel, nuts in nickel plated brass / UNI 6604-69 key seat

DIMENSIONS					PRODUCT CODE			
Z	De	Dp	A	B	DF 25	DF 30	DF 35	DF 40
10	125.0	123.3	65.4	104.0	S10910 25	S10910 30	S10910 35	S10910 40
12	149.2	147.2	78.4	128.0	S10912 25	S10912 30	S10912 35	S10912 40



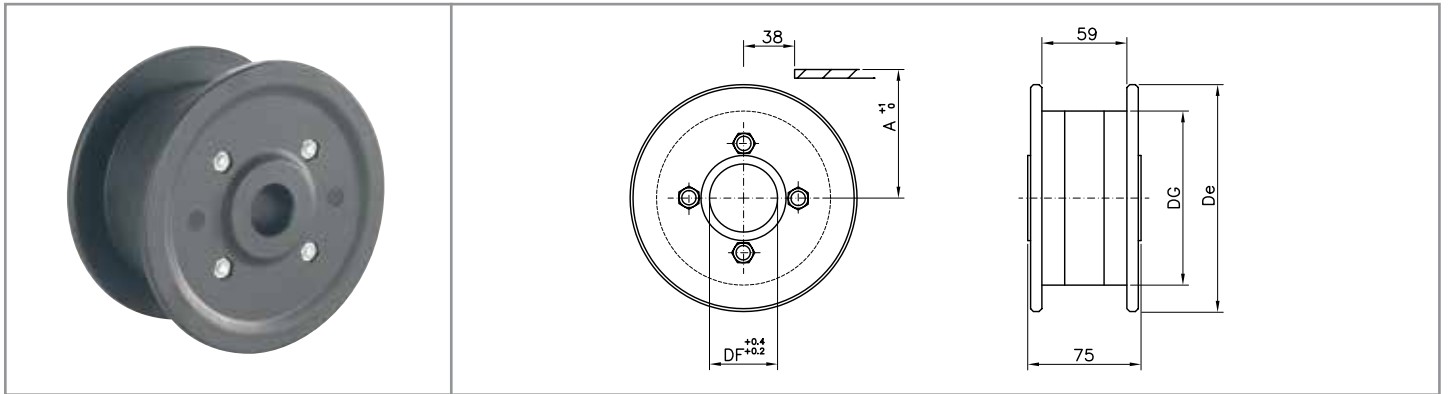
## Split idler wheels

material: polyamide - screws in stainless steel, nuts in nickel plated brass

DIMENSIONS					PRODUCT CODE			
Z	De	Dp	A	B	DF 25	DF 30	DF 35	DF 40
10	125.0	123.3	65.4	104.0	R10910 25	R10910 30	R10910 35	R10910 40
12	149.2	147.2	78.4	128.0	R10912 25	R10912 30	R10912 35	R10912 40

# injected idler wheels

882 M / 8257 / LBP 8257 / LBP 882 M SERIES

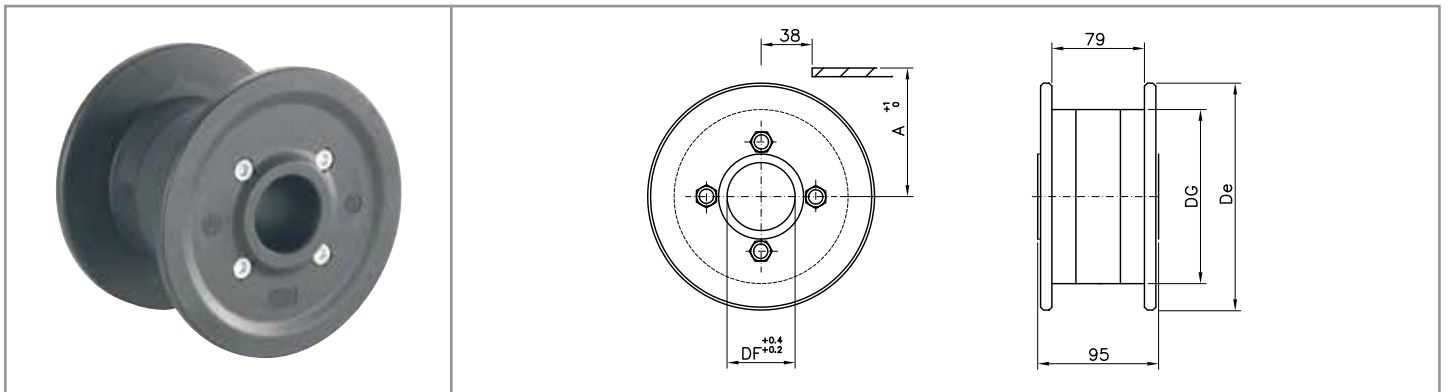


## Standard idler wheels

material: self-lubricating polyamide - screws in zinc plated steel

DIMENSIONS				PRODUCT CODE			
Z eq.	De	DG	A	DF 25	DF 30	DF 35	DF 40
19	118.0	80.0	62.6	K00419 25	K00419 30	K00419 35	K00419 40
21	129.8	80.0	68.6	K00421 25	K00421 30	K00421 35	K00421 40
23	142.5	108.0	74.6	K00423 25	K00423 30	K00423 35	K00423 40
25	155.0	108.0	80.5	K00425 25	K00425 30	K00425 35	K00425 40

# 882 TAB / LBP 882 TAB SERIES



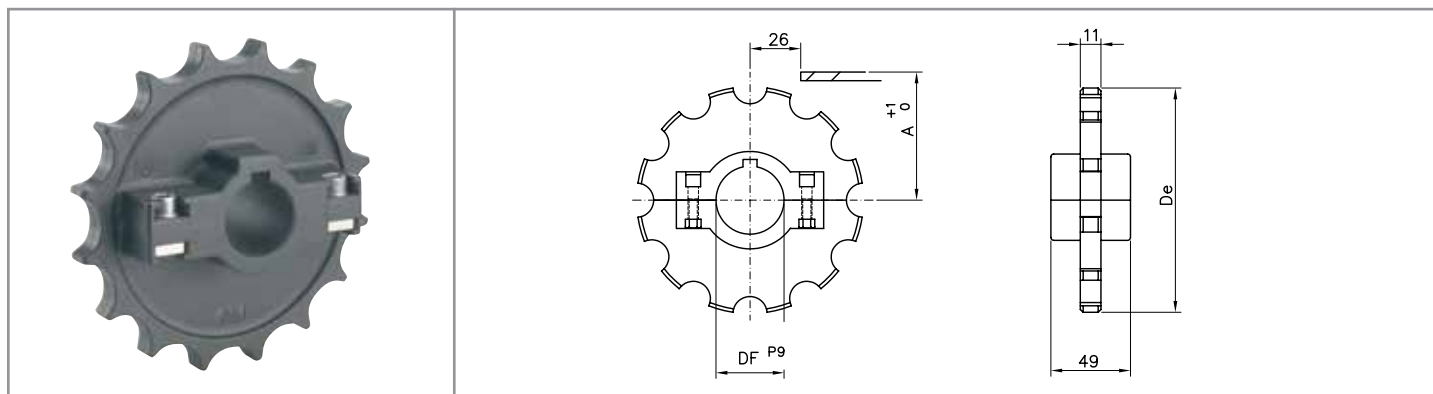
## Standard idler wheels

material: self-lubricating polyamide - screws in zinc plated steel

DIMENSIONS				PRODUCT CODE			
Z eq.	De	DG	A	DF 25	DF 30	DF 35	DF 40
10	129.8	80.0	68.6	T00910 25	T00910 30	T00910 35	T00910 40
12	155.0	108.0	80.5	T00912 25	T00912 30	T00912 35	T00912 40

# injected sprockets and idler wheels

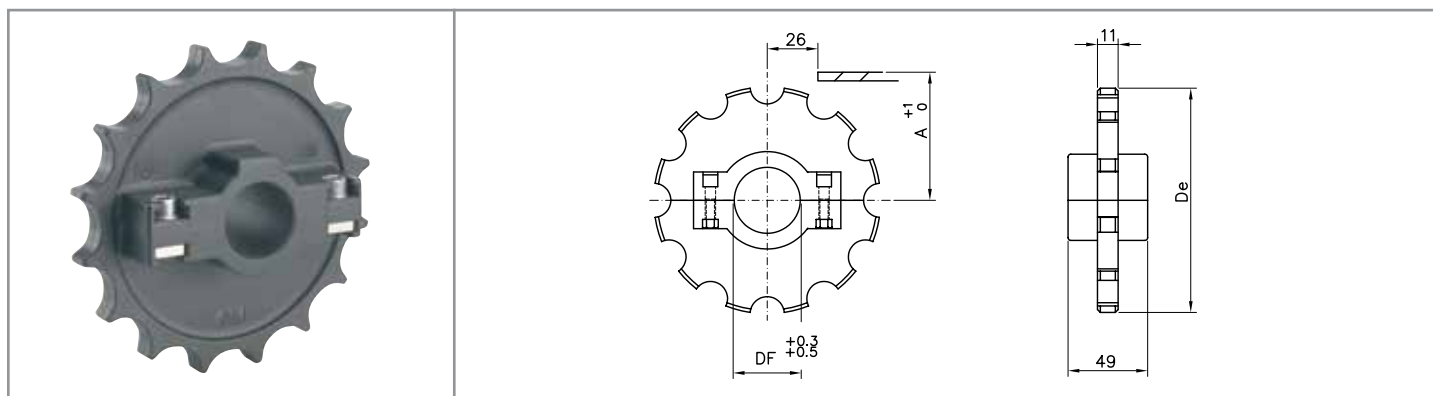
780 M / 780 MFG / 780 TAB / 780 FG TAB / 790 M / 790 TAB SERIES



## Split sprockets

material: reinforced polyamide - screws in stainless steel - UNI 6604-69 key seat

DIMENSIONS				PRODUCT CODE			
Z	De	Dp	A	DF 30	DF 35	DF 40	DF 45
16	130.9	128.9	67.8	S10A16 30	S10A16 35	S10A16 40	S10A16 45
18	146.8	144.8	75.7	S10A18 30	S10A18 35	S10A18 40	S10A18 45
19	156.3	154.3	80.5	S10A19 30	S10A19 35	S10A19 40	S10A19 45



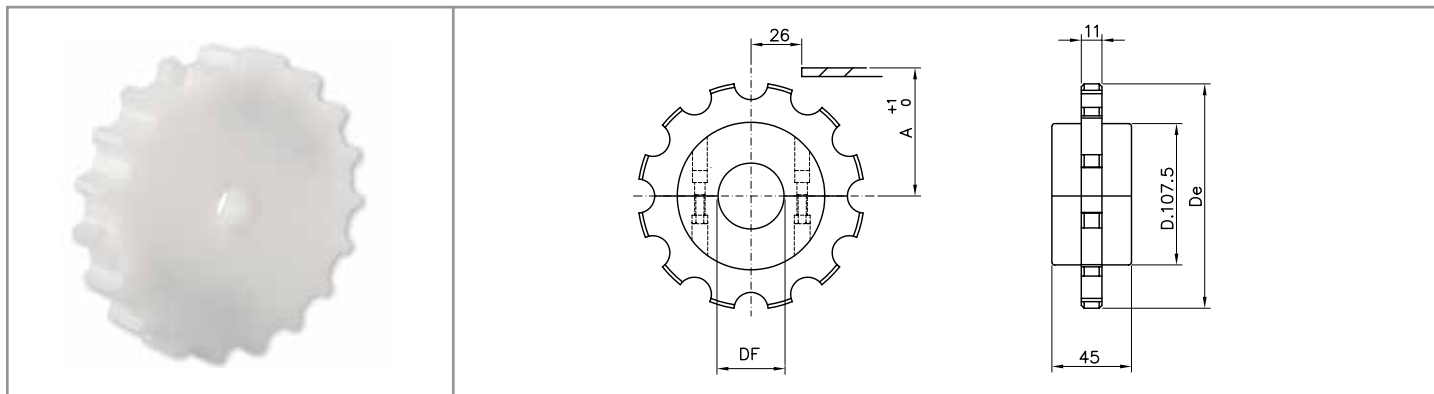
## Split idler wheels

material: polyamide - screws in stainless steel

DIMENSIONS				PRODUCT CODE			
Z	De	Dp	A	DF 30	DF 35	DF 40	DF 45
16	130.9	128.9	67.8	R10A16 30	R10A16 35	R10A16 40	R10A16 45
18	146.8	144.8	75.7	R10A18 30	R10A18 35	R10A18 40	R10A18 45
19	156.3	154.3	80.5	R10A19 30	R10A19 35	R10A19 40	R10A19 45

# machined sprockets

780 M / 780 MFG / 780 TAB / 780 FG TAB / 790 TAB SERIES



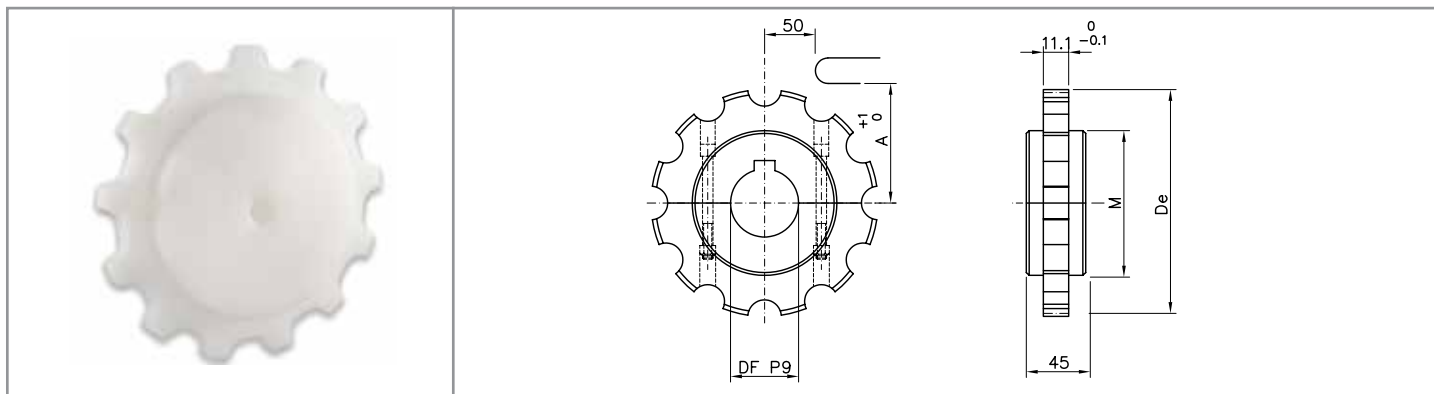
## Split sprockets

material: polyamide in PA white - screws in stainless steel

DIMENSIONS				PRODUCT CODE					
Z	De	Dp	A	DF 25	DF 30	DF 35	DF 40	DF 45	DF 50
16	130.9	128.9	67.8	S11A16 25	S11A16 30	S11A16 35	S11A16 40	S11A16 45	S11A16 50
18	146.8	144.8	75.7	S11A18 25	S11A18 30	S11A18 35	S11A18 40	S11A18 45	S11A18 50
19	156.3	154.3	80.5	S11A19 25	S11A19 30	S11A19 35	S11A19 40	S11A19 45	S11A19 50

# machined sprockets

1500 / 1700 / 1701 / 1702 / 1703 SERIES



## Split sprockets

material: polyamide - screws in stainless steel - UNI 6604-69 key seat

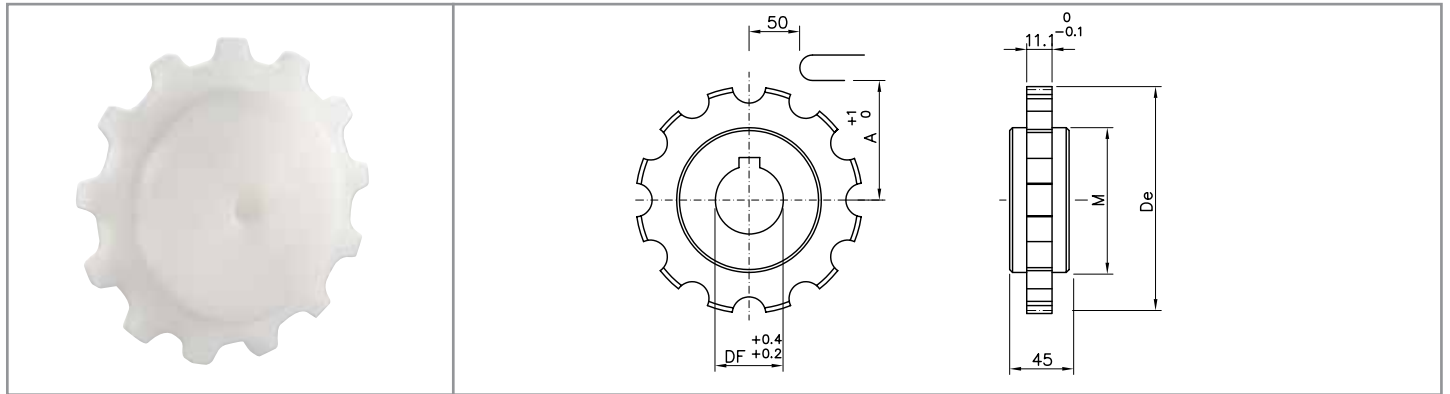
DIMENSIONS					PRODUCT CODE				
Z	De	Dp	A	M	DF 19*	DF 25	DF 30	DF 35	DF 40
08	132.8	130.65	53.3	79.0	S11M08 19	S11M08 25	S11M08 30	S11M08 35	S11M08 40
10	165.1	161.8	68.9	110.0	S11M10 19	S11M10 25	S11M10 30	S11M10 35	S11M10 40
13	215.2	208.95	92.5	158.0	S11M13 19	S11M13 25	S11M13 30	S11M13 35	S11M13 40

\* plain bore



# machined sprockets and idler wheels

1500 / 1700 / 1701 / 1702 / 1703 SERIES

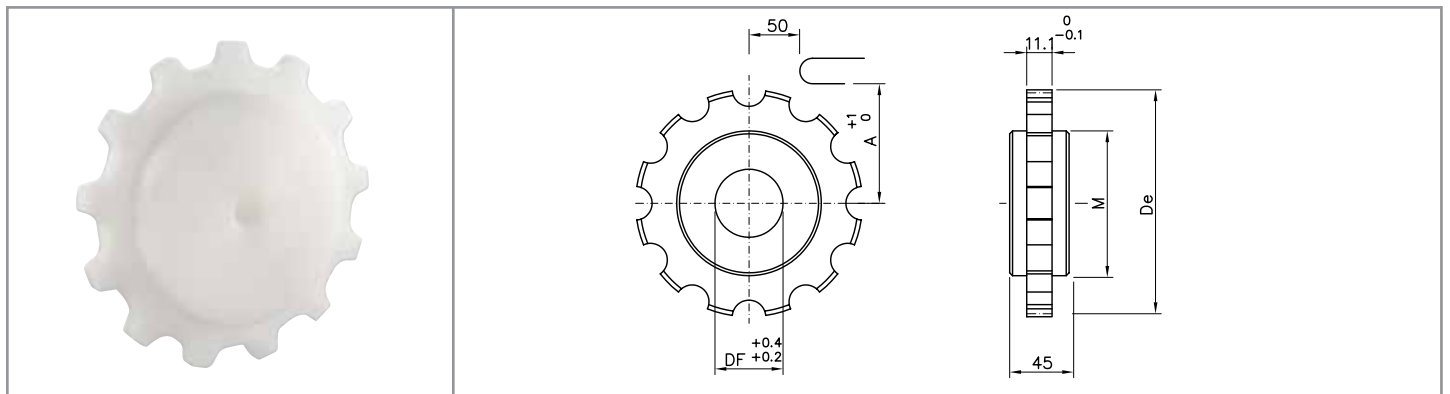


## Standard sprockets

material: polyamide

DIMENSIONS					PRODUCT CODE				
Z	De	Dp	A	M	DF 20*	DF 25	DF 30	DF 35	DF 40
08	132.8	130.65	53.3	79.0	S01M08 20	S01M08 25	S01M08 30	S01M08 35	S01M08 40
10	165.1	161.80	68.9	110.0	S01M10 20	S01M10 25	S01M10 30	S01M10 35	S01M10 40
13	215.2	208.95	92.5	158.0	S01M13 20	S01M13 25	S01M13 30	S01M13 35	S01M13 40

\* plain bore



## Standard idler wheels

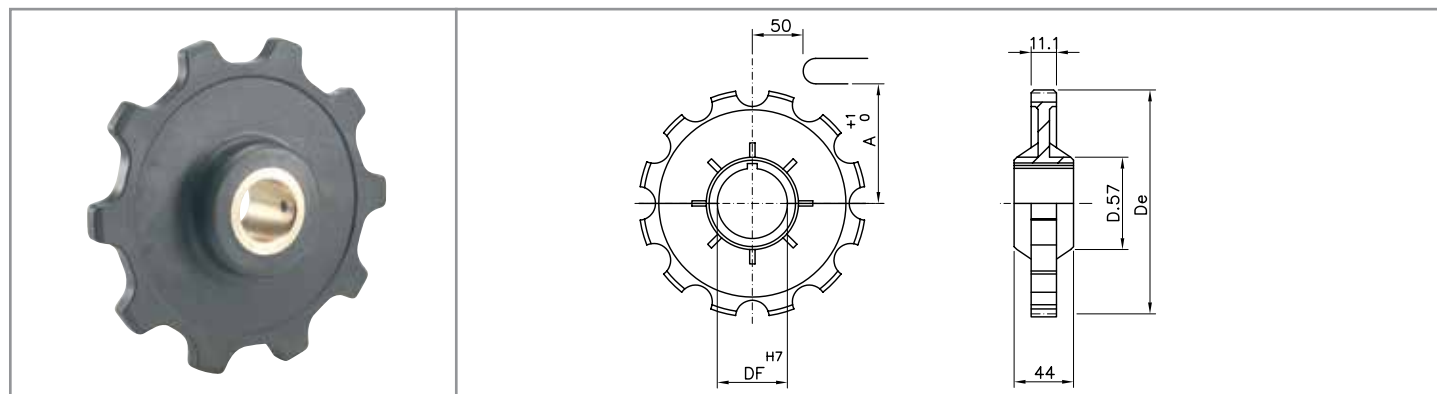
material: polyamide

DIMENSIONS					PRODUCT CODE				
Z	De	Dp	A	M	DF 19*	DF 25	DF 30	DF 35	DF 40
08	132.8	130.65	53.3	79.0	R01M08 19	R01M08 25	R01M08 30	R01M08 35	R01M08 40
10	165.1	161.80	68.9	110.0	R01M10 19	R01M10 25	R01M10 30	R01M10 35	R01M10 40
13	215.2	208.95	92.5	158.0	R01M13 19	R01M13 25	R01M13 30	R01M13 35	R01M13 40

\* plain bore

# injected sprockets and idler wheels

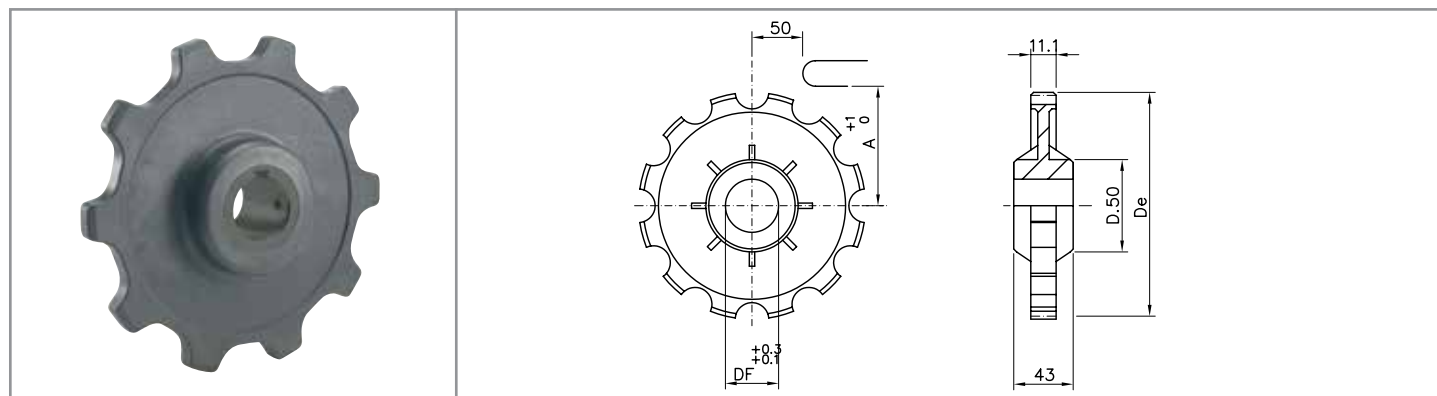
1500 / 1700 / 1701 / 1702 / 1703 SERIES



## Standard sprockets

material: polyamide, brass HUB - UNI 6604-69 key seat

DIMENSIONS				PRODUCT CODE	
Z	De	Dp	A	DF 25	DF 30
08	136.3	106.8	53.0	S00M08 25	S00M08 30
10	165.1	161.8	69.0	S00M10 25	S00M10 30



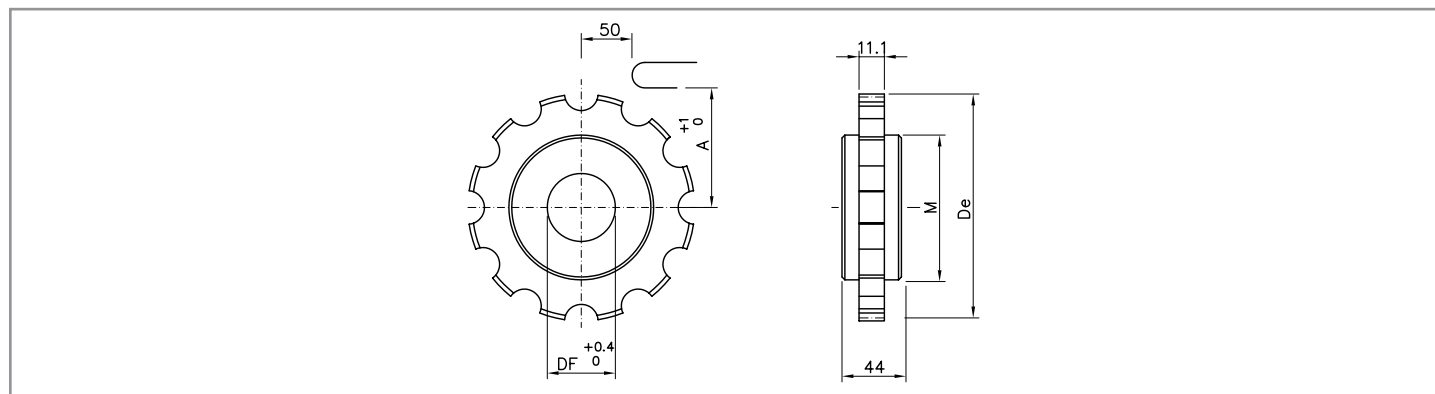
## Standard idler wheels

material: polyamide

DIMENSIONS				PRODUCT CODE	
Z	De	Dp	A	DF 25	DF 30
08	136.3	106.8	53.0	R00M08 25	R00M08 30
10	165.1	161.8	69.0	R00M10 25	R00M10 30

# machined sprockets and idler wheels

1500 / 1700 / 1701 / 1702 / 1703 SERIES



## Standard sprockets

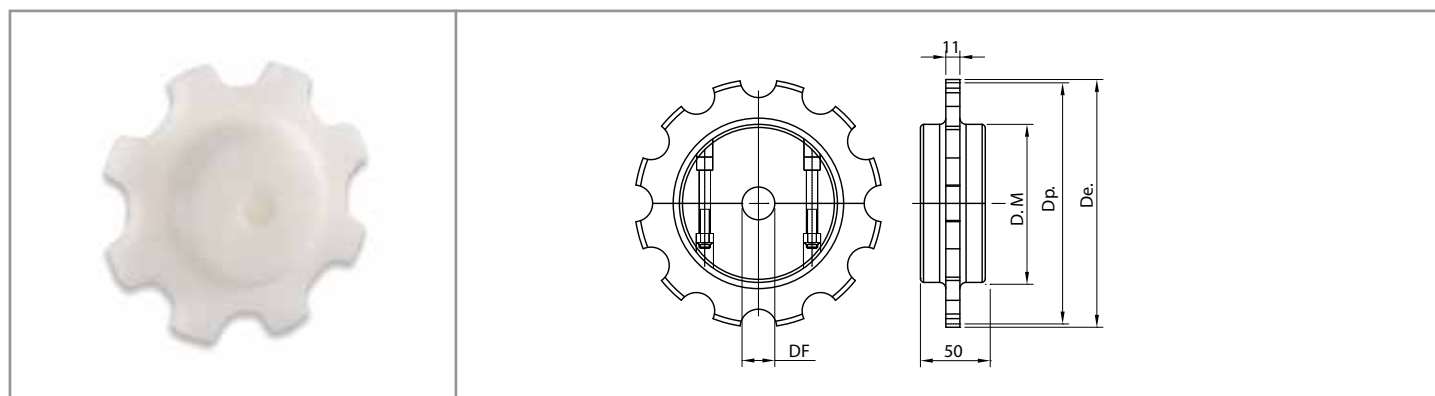
material: zinc plated steel (Z), stainless steel (X)

DIMENSIONS					PRODUCT CODE
Z	De	Dp	A	M	DF 20
10*	165.1	161.8	69.0	69.0	S01Z10 20
10*	165.1	161.8	60.0	69.0	S01X10 20
12*	196.1	193.19	69.0	69.0	S01Z12 20

\* available upon request and minimum order quantity

# machined sprockets and idler wheels

600 SERIES



## Split sprockets

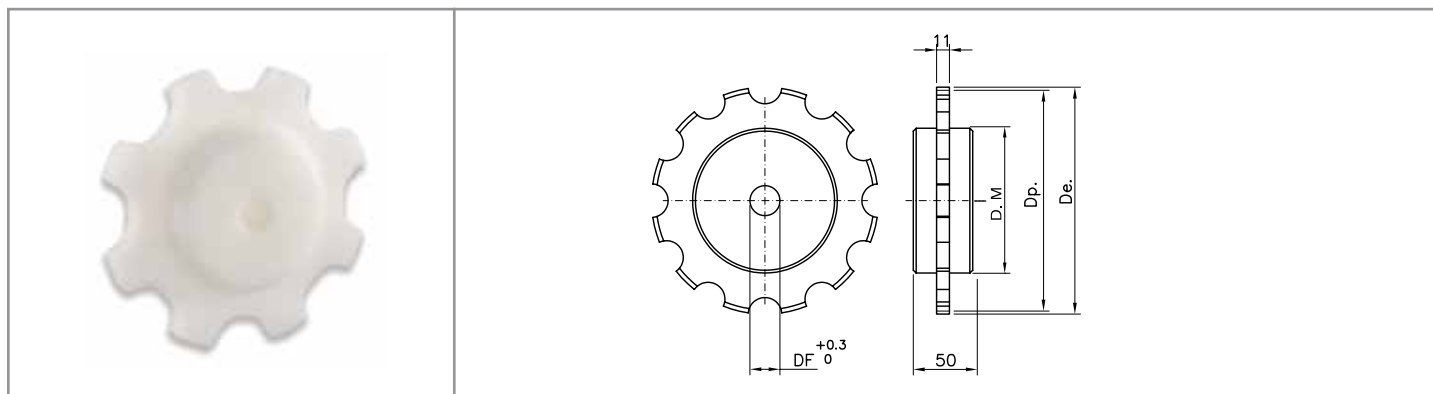
material: polyamide - screw in stainless steel - UNI 6604-69 key seat

DIMENSIONS				PRODUCT CODE
Z	De	Dp	DM	DF 20*
08	177.7	165.9	96.0	S11C08 20
10	219.3	205.5	96.0	S11C10 20
12	256.0	246.0	96.0	S11C12 20
14	297.0	286.0	96.0	S11C14 20

\* plain bore

# machined sprockets and idler wheels

## 600 SERIES



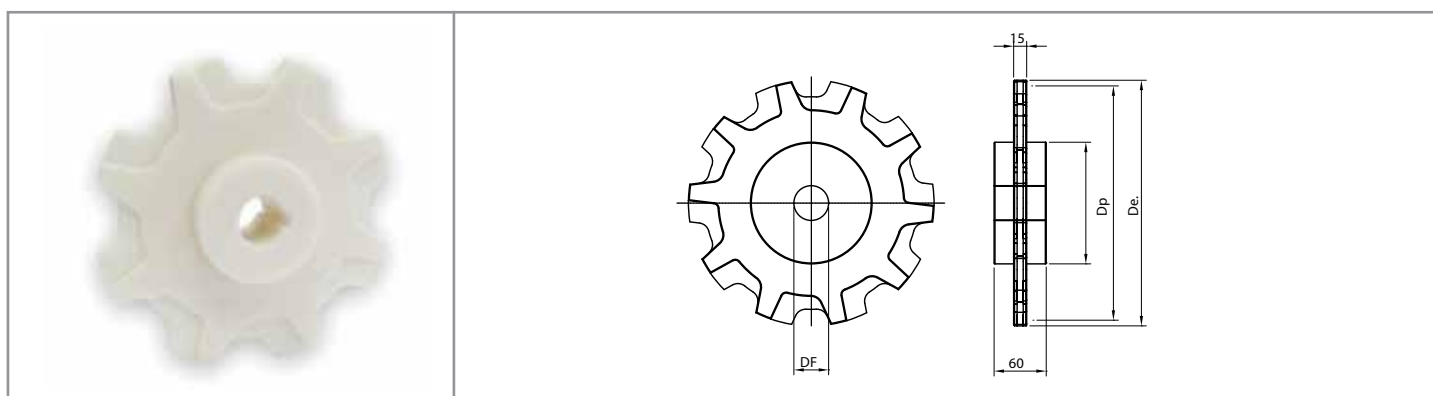
Standard sprockets and idler wheels  
material: polyamide

DIMENSIONS				PRODUCT CODE
Z	De	Dp	DM	DF 20
06*	128.0	127.0	96.0	S01C06 20
08	177.7	165.9	96.0	S01C08 20
10	219.3	205.5	96.0	S01C10 20
12*	256.0	246.0	96.0	S01C12 20
14*	297.0	286.0	96.0	S01C14 20

\* available upon request and minimum order quantity

# machined sprockets and idler wheels

## 1400 SERIES



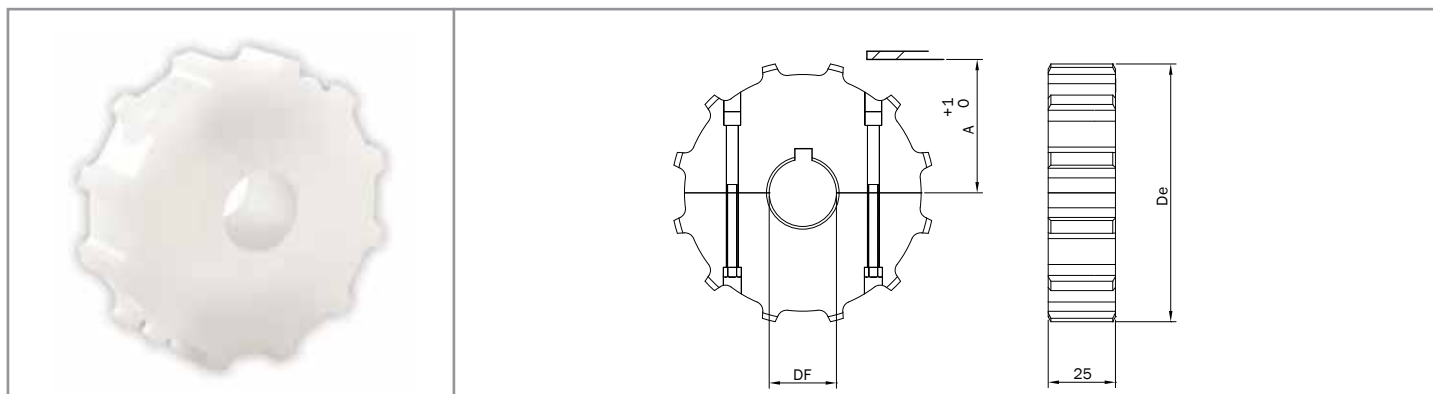
Standard sprockets and idler wheels  
material: polyamide

DIMENSIONS				PRODUCT CODE
Z	De	Dp	DM	DF 19*
08	213	204	90	S01D08 19
10	276	267	140	S01D10 19

\* plain bore

# machined sprockets and idler wheels

## 720 / 720 PT SERIES

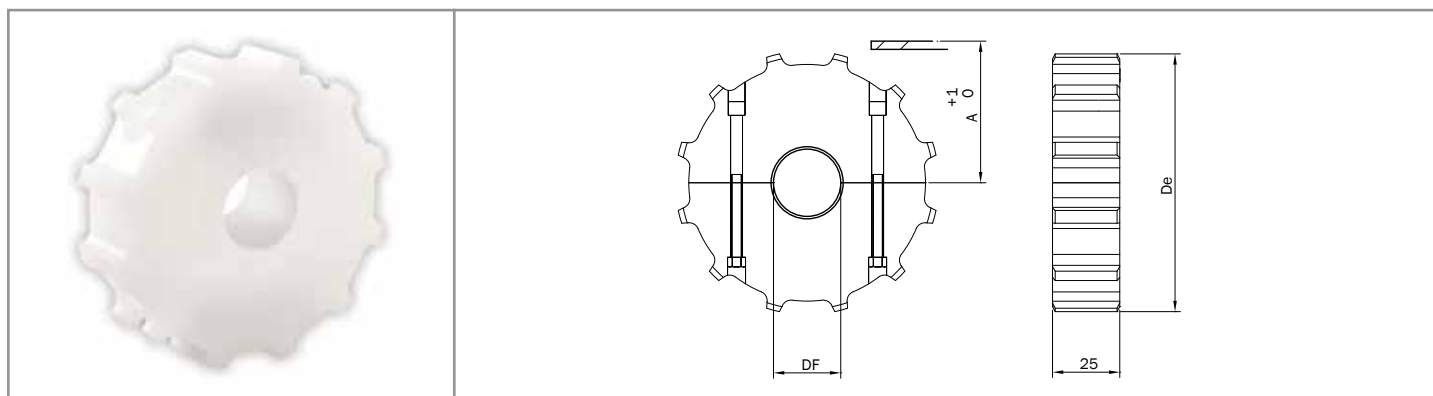


### Split sprockets

material: polyamide PA white - screw in stainless steel UNI 6604-69 key seat

DIMENSIONS				PRODUCT CODE				
Z	De	Dp	A	DF 18*	DF 25	DF 30	DF 35	DF 40
12	98.00	98.14	44.7	S11E12 18	S11E12 25	S11E12 30	S11E12 35	S11E12 40
14	114.00	114.18	52.7	S11E14 18	S11E14 25	S11E14 30	S11E14 35	S11E14 40
16	130.00	130.20	60.7	S11E16 18	S11E16 25	S11E16 30	S11E16 35	S11E16 40
18	146.00	146.27	68.8	S11E18 18	S11E18 25	S11E18 30	S11E18 35	S11E18 40
20	162.00	162.37	76.8	S11E20 18	S11E20 25	S11E20 30	S11E20 35	S11E20 40

\* plain bore



### Split idler wheels

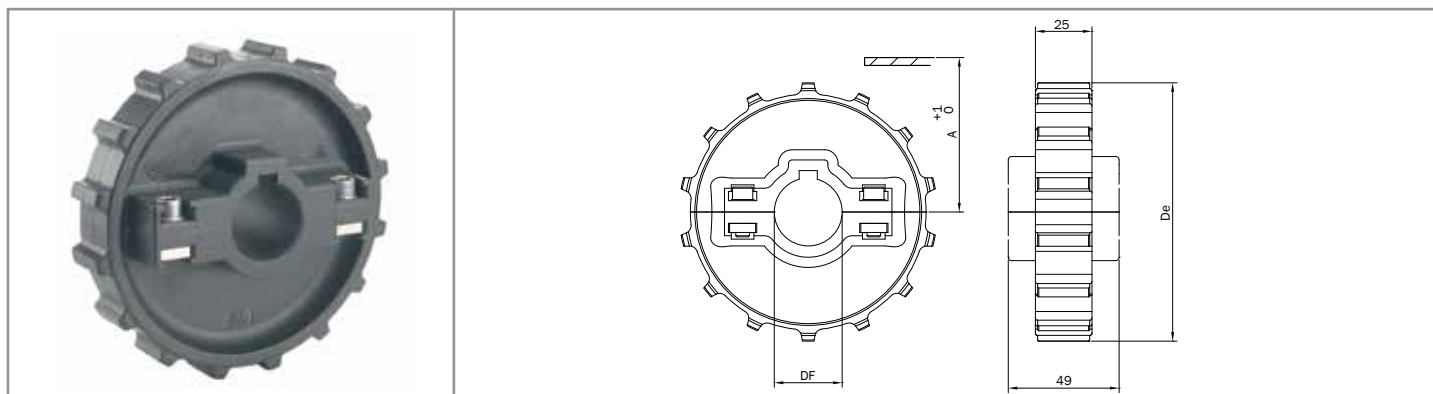
material: polyamide PA white - screw in stainless steel

DIMENSIONS				PRODUCT CODE				
Z	De	Dp	A	DF 18*	DF 25	DF 30	DF 35	DF 40
12	98.00	98.14	44.7	R11E12 18	R11E12 25	R11E12 30	R11E12 35	R11E12 40
14	114.00	114.18	52.7	R11E14 18	R11E14 25	R11E14 30	R11E14 35	R11E14 40
16	130.00	130.20	60.7	R11E16 18	R11E16 25	R11E16 30	R11E16 35	R11E16 40
18	146.00	146.27	68.8	R11E18 18	R11E18 25	R11E18 30	R11E18 35	R11E18 40
20	162.00	162.37	76.8	R11E20 18	R11E20 25	R11E20 30	R11E20 35	R11E20 40

\* plain bore

# injected sprockets and idler wheels

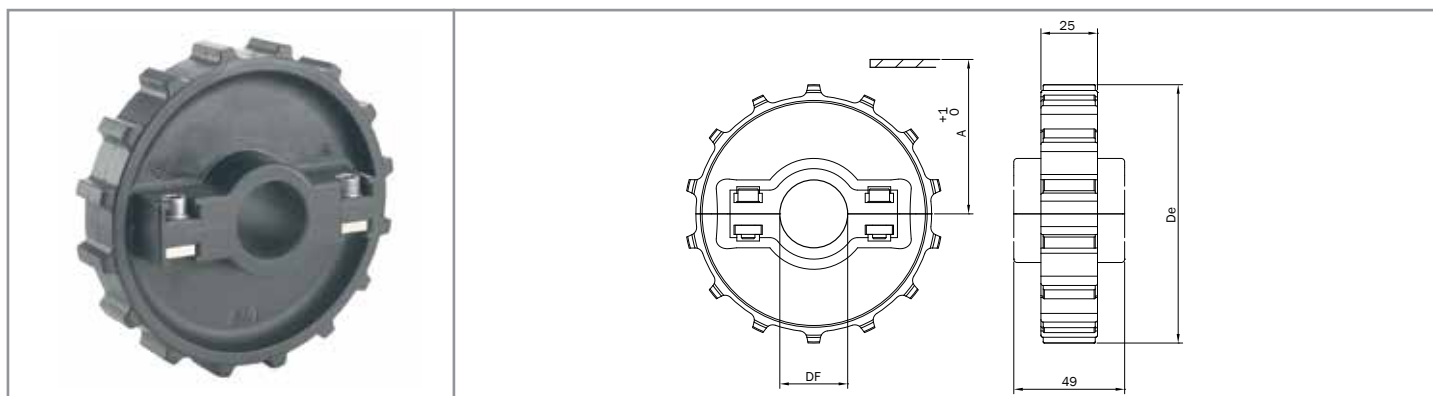
## 720 / 720 PT SERIES



### Split sprockets

material: reinforced polyamide - screw in stainless steel UNI 6604-69 key seat

DIMENSIONS				PRODUCT CODE			
Z	De	Dp	A	DF 30	DF 35	DF 40	DF 45
14	114.00	114.18	52.7	S10E14 30	S10E14 35	S10E14 40	/
16	130.00	130.20	60.7	S10E16 30	S10E16 35	S10E16 40	S10E16 45
18	146.00	146.30	68.8	S10E18 30	S10E18 35	S10E18 40	S10E18 45
20	162.00	162.40	76.8	S10E20 30	S10E20 35	S10E20 40	S10E20 45



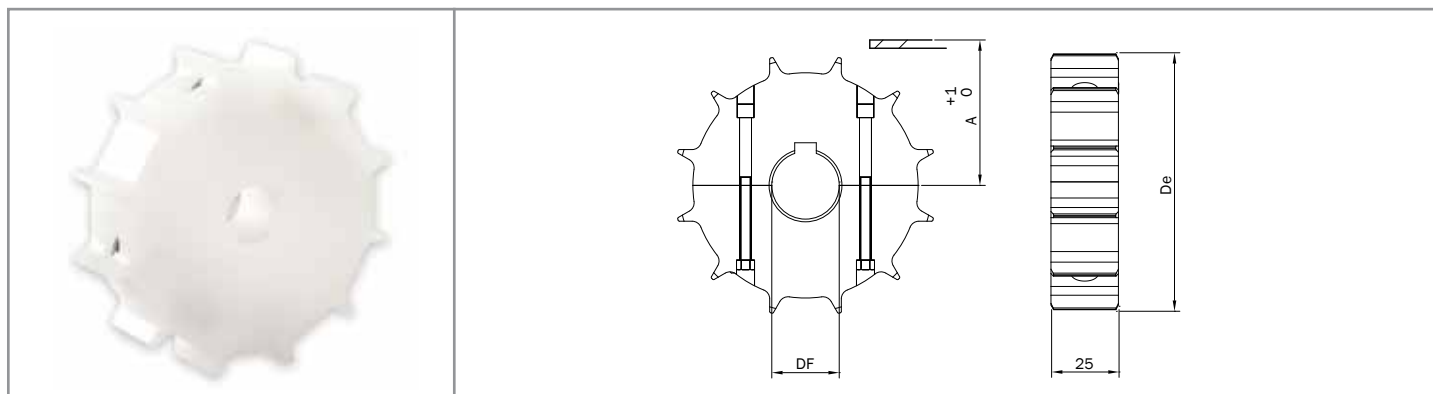
### Split idler wheels

material: reinforced polyamide - screw in stainless steel

DIMENSIONS				PRODUCT CODE			
Z	De	Dp	A	DF 30	DF 35	DF 40	DF 45
14	114.00	114.18	52.7	R10E14 30	R10E14 35	R10E14 40	/
16	130.00	130.20	60.7	R10E16 30	R10E16 35	R10E16 40	R10E16 45
18	146.00	146.30	68.8	R10E18 30	R10E18 35	R10E18 40	R10E18 45
20	162.00	162.40	76.8	R10E20 30	R10E20 35	R10E20 40	R10E20 45

# machined sprockets and idler wheels

## 730 / 730 PT SERIES

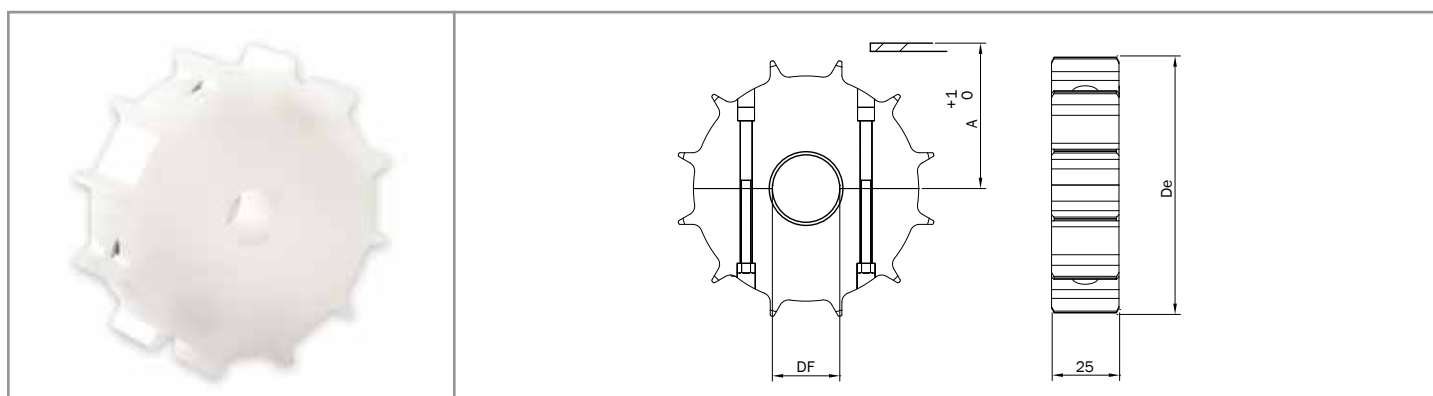


### Split sprockets

material: polyamide PA white - screw in stainless steel UNI 6604-69 key seat

DIMENSIONS				PRODUCT CODE				
Z	De	Dp	A	DF 18*	DF 25	DF 30	DF 35	DF 40
12	97.90	98.14	42.7	S11H12 18	S11H12 25	S11H12 30	S11H12 35	S11H12 40
13	105.54	106.14	46.7	S11H13 18	S11H13 25	S11H13 30	S11H13 35	S11H13 40
14	114.00	114.18	50.7	S11H14 18	S11H14 25	S11H14 30	S11H14 35	S11H14 40
15	112.60	122.20	54.6	S11H15 18	S11H15 25	S11H15 30	S11H15 35	S11H15 40
16	130.00	130.20	58.7	S11H16 18	S11H16 25	S11H16 30	S11H16 35	S11H16 40
18	146.00	146.28	66.7	S11H18 18	S11H18 25	S11H18 30	S11H18 35	S11H18 40
20	162.00	162.37	74.8	S11H20 18	S11H20 25	S11H20 30	S11H20 35	S11H20 40
21	171.00	170.42	78.9	S11H21 18	S11H21 25	S11H21 30	S11H21 35	S11H21 40

\* plain bore



### Split idler wheels

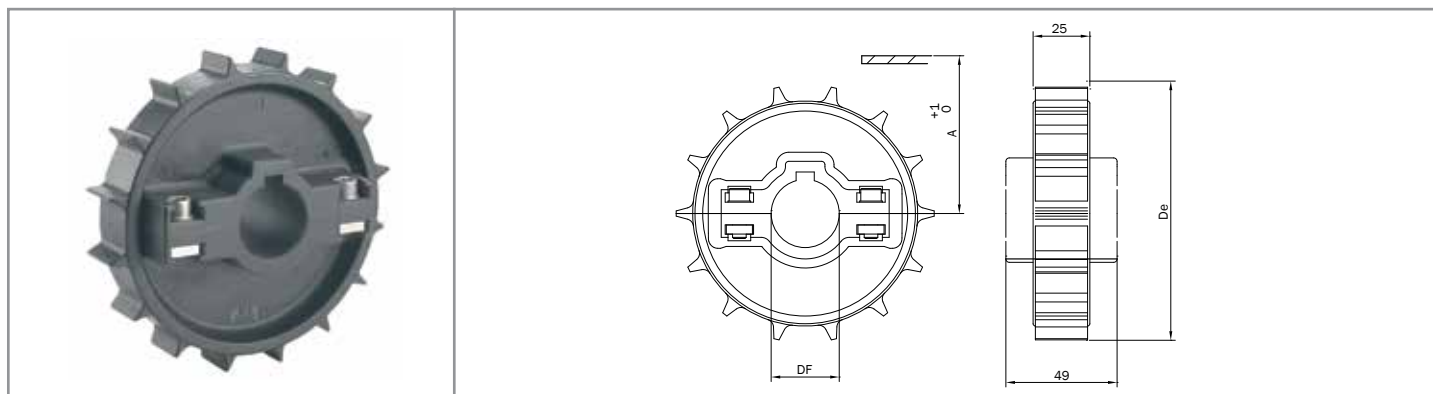
material: polyamide PA white - screw in stainless steel

DIMENSIONS				PRODUCT CODE				
Z	De	Dp	A	DF 18*	DF 25	DF 30	DF 35	DF 40
12	97.90	98.14	42.7	R11H12 18	R11H12 25	R11H12 30	R11H12 35	R11H12 40
13	105.54	106.14	46.7	R11H13 18	R11H13 25	R11H13 30	R11H13 35	R11H13 40
14	114.00	114.18	50.7	R11H14 18	R11H14 25	R11H14 30	R11H14 35	R11H14 40
15	112.60	122.20	54.6	R11H15 18	R11H15 25	R11H15 30	R11H15 35	R11H15 40
16	130.00	130.20	58.7	R11H16 18	R11H16 25	R11H16 30	R11H16 35	R11H16 40
18	146.00	146.28	66.7	R11H18 18	R11H18 25	R11H18 30	R11H18 35	R11H18 40
20	162.00	162.37	74.8	R11H20 18	R11H20 25	R11H20 30	R11H20 35	R11H20 40
21	171.00	170.42	78.9	R11H21 18	R11H21 25	R11H21 30	R11H21 35	R11H21 40

\* plain bore

# injected sprockets and idler wheels

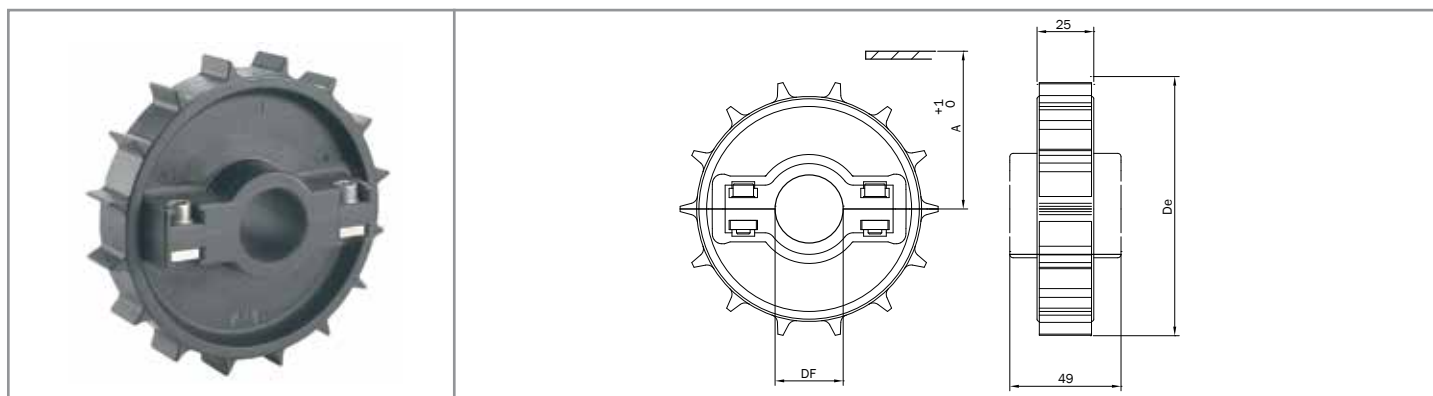
## 730 / 730 PT SERIES



### Split sprockets

material: reinforced polyamide - screw in stainless steel UNI 6604-69 key seat

DIMENSIONS				PRODUCT CODE			
Z	De	Dp	A	DF 30	DF 35	DF 40	DF 45
14	113.68	114.18	50.70	S10H14 30	S10H14 35	S10H14 40	/
16	130.00	130.20	58.70	S10H16 30	S10H16 35	S10H16 40	S10H16 45
18	144.00	146.30	66.70	S10H18 30	S10H18 35	S10H18 40	S10H18 45
20	162.00	162.40	74.80	S10H20 30	S10H20 35	S10H20 40	S10H20 45



### Split idler wheels

material: reinforced polyamide - screw in stainless steel

DIMENSIONS				PRODUCT CODE			
Z	De	Dp	A	DF 30	DF 35	DF 40	DF 45
14	113.68	114.18	50.70	R10H14 30	R10H14 35	R10H14 40	/
16	130.00	130.20	58.70	R10H16 30	R10H16 35	R10H16 40	R10H16 45
18	144.00	146.30	66.70	R10H18 30	R10H18 35	R10H18 40	R10H18 45
20	162.00	162.40	74.80	R10H20 30	R10H20 35	R10H20 40	R10H20 45

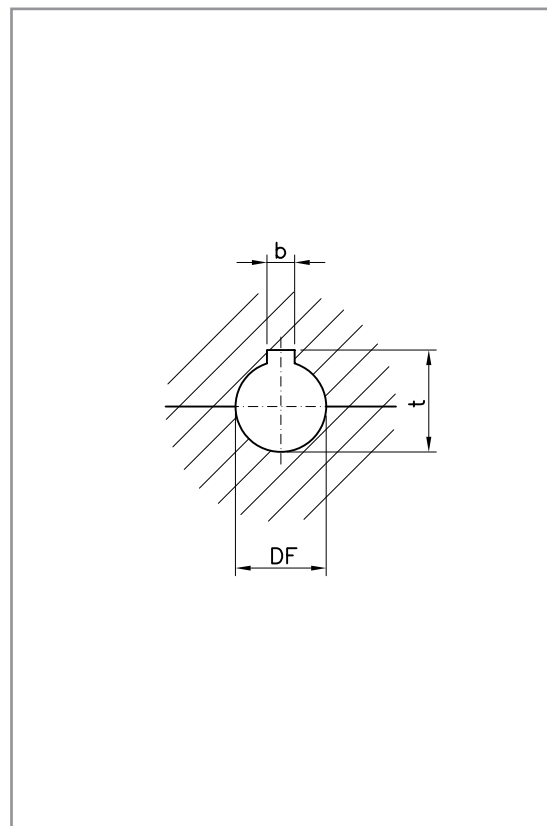


# key seat tolerance and dimensions

UNI 6604-69 / ISO773 / DIN6885

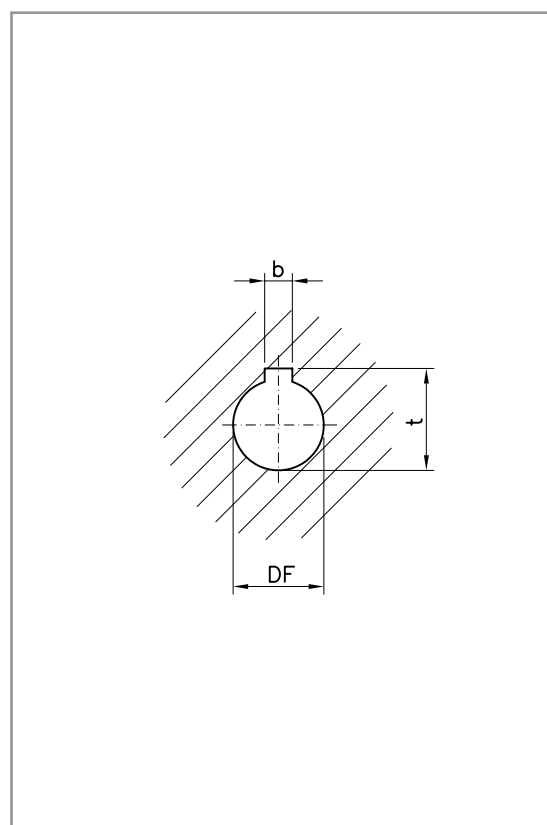
## Split sprockets

CHARACTERISTICS					
DF mm		b mm		t mm	
Dim	Tol	Dim	Tol	Dim	Tol
20	P9	6	P9	22,8	+ 0.1
	-0.022		-0.012		0
	-0.074		-0.042		
25	P9	8	P9	28,3	+ 0.2
	-0.022		-0.015		0
	-0.074		-0.051		
30	P9	8	P9	33,3	+ 0.2
	-0.022		-0.015		0
	-0.074		-0.051		
35	P9	10	P9	38,3	+ 0.2
	-0.026		-0.015		0
	-0.088		-0.051		
40	P9	12	P9	43,3	+ 0.2
	-0.026		-0.018		0
	-0.088		-0.061		
45	P9	14	P9	48,8	+ 0.2
	-0.026		-0.018		0
	-0.088		-0.061		
50	P9	14	P9	53,8	+ 0.2
	-0.026		-0.018		0
	-0.088		-0.061		



## Standard sprockets

CHARACTERISTICS					
DF mm		b mm		t mm	
Dim	Tol	Dim	Tol	Dim	Tol
20	H7	6	D10	22,8	+ 0.1
	+0.021		-0.078		0
	0		-0.030		
25	H7	8	D10	28,3	+ 0.2
	+0.021		-0.098		0
	0		-0.040		
30	H7	8	D10	33,3	+ 0.2
	+0.021		-0.098		0
	0		-0.040		
35	H7	10	D10	38,3	+ 0.2
	+0.025		-0.098		0
	0		-0.040		
40	H7	12	D10	43,3	+ 0.2
	+0.025		-0.120		0
	0		-0.050		
45	H7	14	D10	48,8	+ 0.2
	+0.025		-0.120		0
	0		-0.050		
50	H7	14	D10	53,8	+ 0.2
	+0.025		-0.120		0
	0		-0.050		

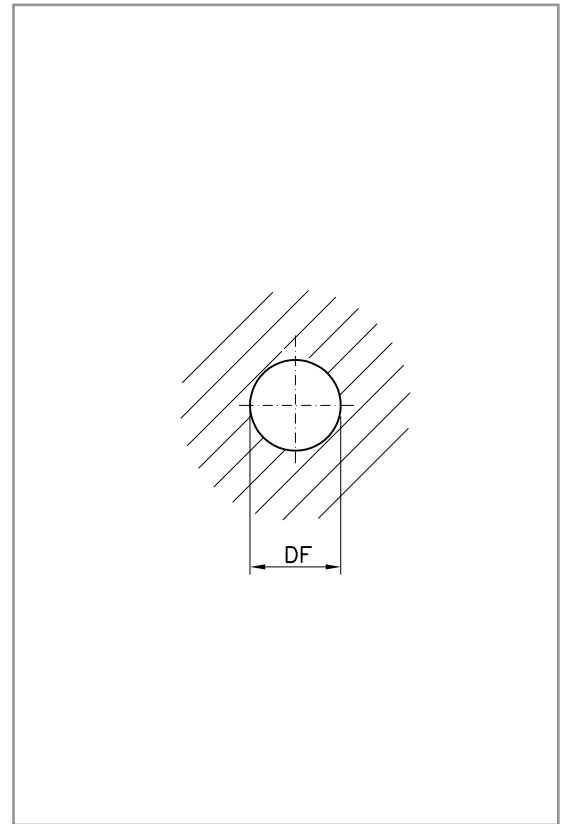
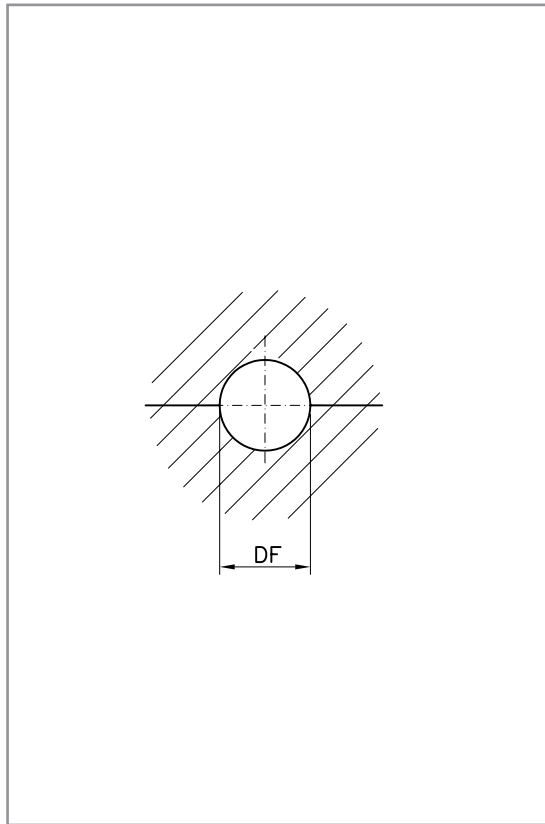


# key seat tolerance and dimensions

UNI 6604-69 / ISO773 / DIN6885

Standard and split idler wheels

CHARACTERISTICS	
DF mm	
Dim	Tol
20	+ 0.4
	+ 0.2
25	+ 0.4
	+ 0.2
30	+ 0.4
	+ 0.2
35	+ 0.4
	+ 0.2
40	+ 0.4
	+ 0.2
45	+ 0.4
	+ 0.2
50	+ 0.4
	+ 0.2



Every care has been taken to ensure the accuracy of the information contained in this catalogue but no liability can be accepted for any errors or omissions.